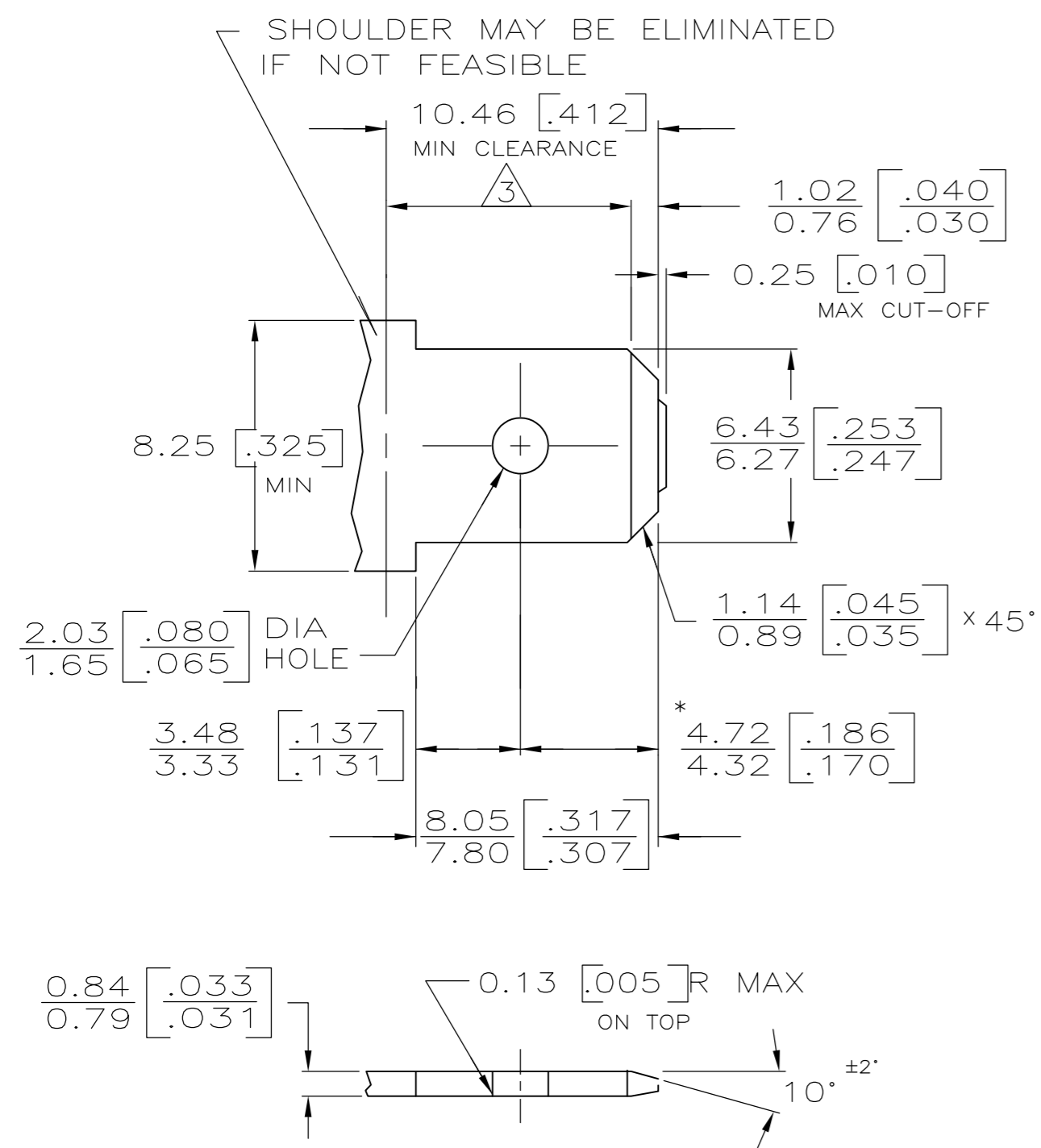


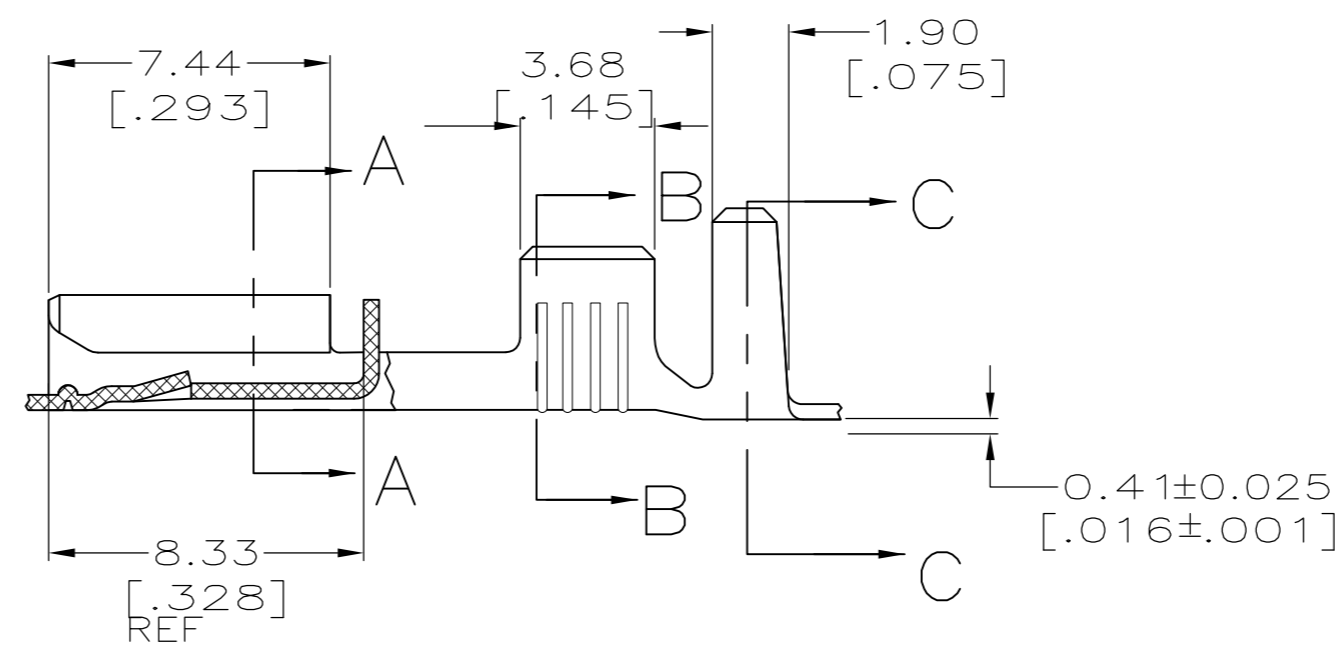
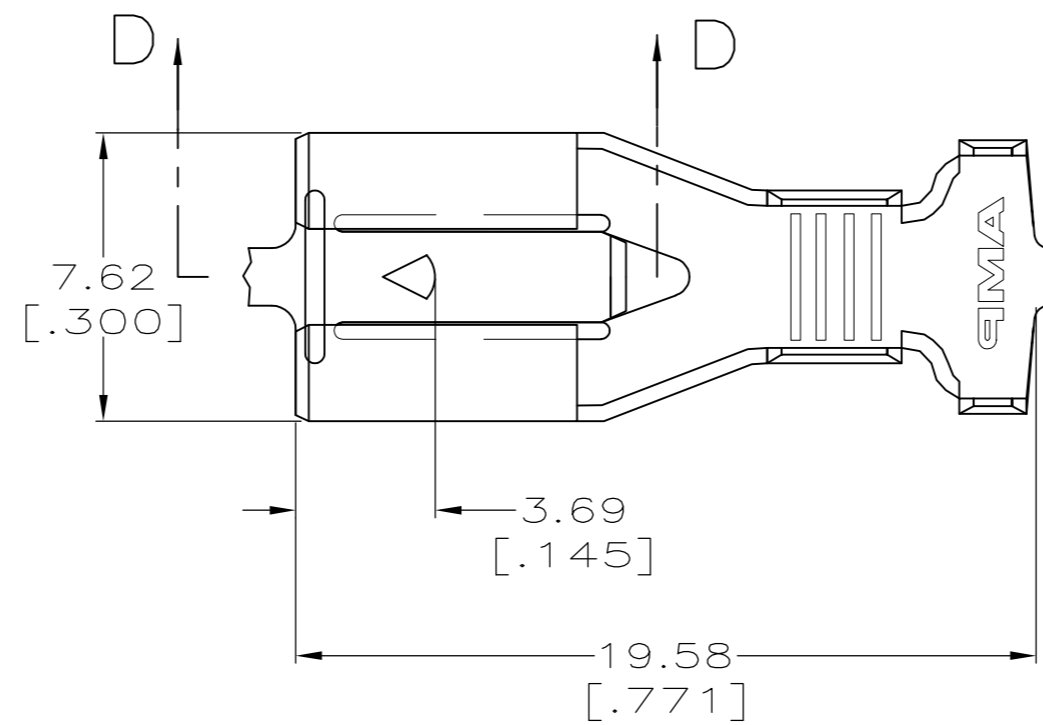
THIS DRAWING IS UNPUBLISHED. RELEASED FOR PUBLICATION
 © COPYRIGHT - By - ALL RIGHTS RESERVED.

| LOC | | DIST | | REVISIONS | | | |
|-----|-----|-------------|--------------------------|-----------|------|----|--|
| P | LTR | DESCRIPTION | DATE | DWN | APVD | | |
| AF | 50 | C | REVISD PER ECR-12-013486 | 09JAN13 | KH | KR | |

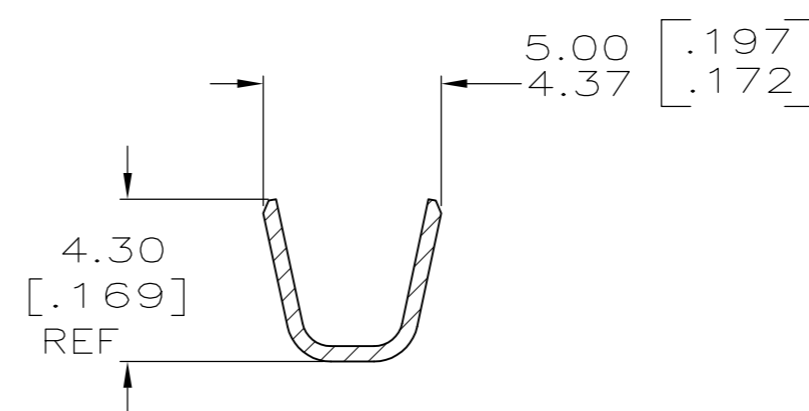
SUGGESTED MATING TAB



- MATL: 1/2H BRASS OR NICKEL PL STEEL.
- NO BURRS PERMISSIBLE AT HOLE.
MUST BE FLAT WITHIN 0.076 [.003] OVER THIS LENGTH.
- TIN PLATING IS REQUIRED ON BRASS WHEN TERMINAL TEMP. IS OVER 225° F
- HOLE MUST BE SYMMETRICAL ABOUT TAB Q WITHIN 0.076 [.003]
- * TO BE USED ONLY WHEN SHOULDER IS ELIMINATED.

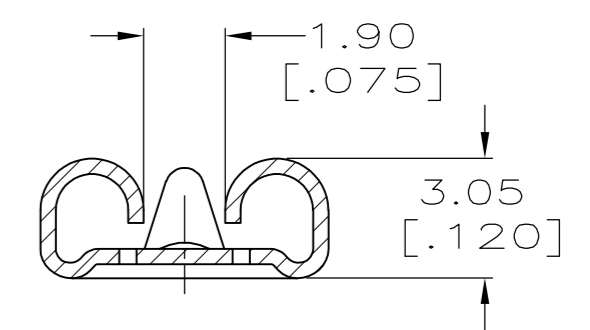


SECTION D-D

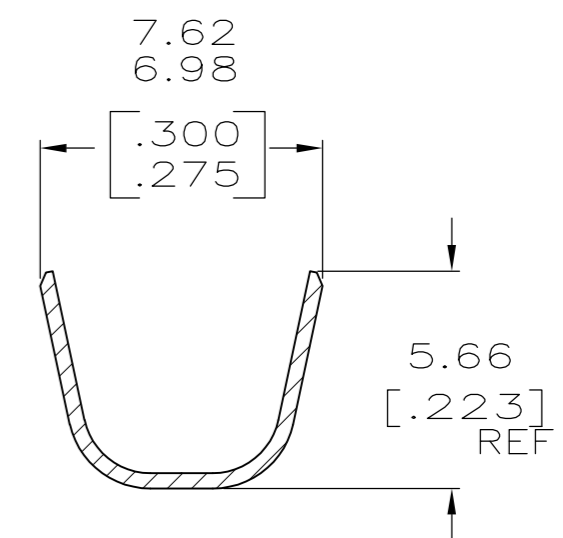


SECTION B-B

- CONTINUOUS STRIP ON REELS.
- ACCEPTS [#16-#12] SINGLE WIRE SIZES AND COMBINATIONS OF TWO[#16'S] OR TWO[#18'S] OR ONE[#16 WITH ONE#18]. WIRE CRIMP WIDTH IS .140, F TYPE
- FITS INSULATION RANGE 3.05-4.32 [.120-.170] DIA OR TWO AT 3.05 [.120] MAX. INSULATION CRIMP WIDTH .240 F TYPE



SECTION A-A



SECTION C-C

| | |
|-----------|-----------|
| TIN PLATE | 1217092-2 |
| - | 1217092-1 |
| FINISH | PART NO. |

| | | | | | | | | | | | | |
|---|-------|--------------|---|----------|---------------------|-------|-----------|-------|------------|-----------|---------------|---|
| THIS DRAWING IS A CONTROLLED DOCUMENT. | | DWN | JR RUTH | 6/3/98 | TE Connectivity | | | | | | | |
| DIMENSIONS: mm [INCHES] | | CHK | MS FEHER | 6/3/98 | | | | | | | | |
| TOLERANCES UNLESS OTHERWISE SPECIFIED: | | APVD | D BRATINA | 6/3/98 | | | | | | | | |
| 0 PLC ± - 1 PLC ± - 2 PLC ± 0.25 [.010] 3 PLC ± - 4 PLC ± - ANGLES ± - | | PRODUCT SPEC | RECEPTACLE, POSITIVE LOCK, 6.35 [.250] SERIES | | | | | | | | | |
| MATERIAL | BRASS | FINISH | SEE TABLE | 114-2061 | SIZE | A2 | CAGE CODE | 00779 | DRAWING NO | C=1217092 | RESTRICTED TO | - |
| CUSTOMER DRAWING | | WEIGHT | - | SCALE | 5:1 | SHEET | 1 OF 1 | REV | C | | | |

X-ON Electronics

Largest Supplier of Electrical and Electronic Components

Click to view similar products for [Terminals](#) category:

Click to view products by [TE Connectivity](#) manufacturer:

Other Similar products are found below :

[00-054007-01074-6](#) [00-054007-70206-1](#) [00-054007-70210-8](#) [00-054007-70217-7](#) [00-054007-70226-9](#) [00-054007-70228-3](#) [00-054007-70248-1](#) [00-054007-70256-6](#) [00-054007-70301-3](#) [00-054007-70316-7](#) [0-0320562-0](#) [00-054007-49560-4](#) [00-054007-70209-2](#) [00-054007-70225-2](#) [00-054007-70227-6](#) [00-054007-70231-3](#) [00-054007-70241-2](#) [00-054007-70242-9](#) [00-054007-70244-3](#) [00-054007-70246-7](#) [00-054007-70263-4](#) [00-054007-70288-7](#) [00-054007-70290-0](#) [00-054007-70300-6](#) [00-054007-70304-4](#) [01-2065-1-0216](#) [01-2900-1-04412](#) [00581P0075](#) [600TS-10](#) [60205-1](#) [604200-1](#) [605601-1](#) [60598-1-CUT-TAPE](#) [61314-6-C](#) [61810-3](#) [61-S](#) [61-SN](#) [626-0194](#) [62-NBM-A](#) [62-SN](#) [62-SP](#) [63-S](#) [640179-1](#) [M55155/059I03](#) [M55155/079C01](#) [M55155/099H02](#) [M55155/109H01](#) [M55155/109H02](#) [M55155/12XH05](#) [M55155/16XH02](#)