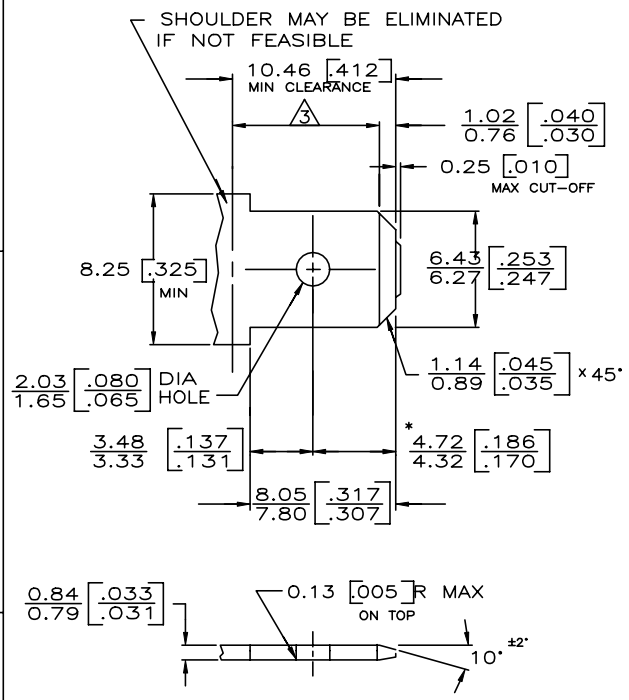


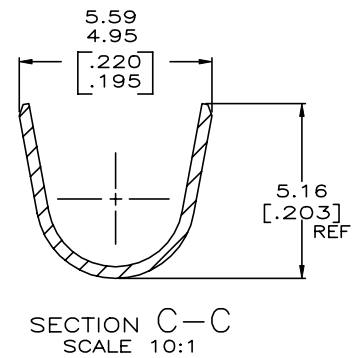
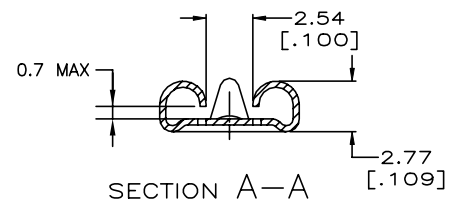
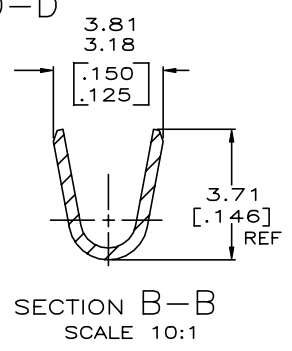
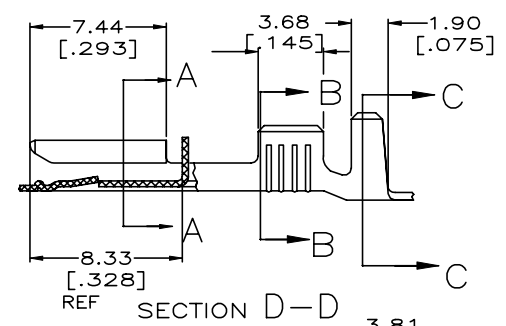
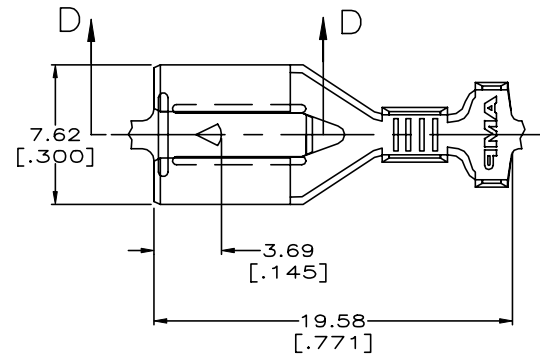
THIS DRAWING IS UNPUBLISHED. RELEASED FOR PUBLICATION. ALL RIGHTS RESERVED.

| LOC | | DIST | | REVISIONS | | | |
|-----|-----|-------------|---------------------------|-----------|-----|-----|--|
| P | LTN | DESCRIPTION | | DATE | DN | APD | |
| AF | 50 | C3 | REVISED PER ECR-20-100299 | 10AUG2020 | BDA | WW | |

SUGGESTED MATING TAB



- 1 - MATL: 1/2H BRASS OR NICKEL PL STEEL.
 - 2 - NO BURRS PERMISSIBLE AT HOLE.
 - 3 - MUST BE FLAT WITHIN 0.076 [.003] OVER THIS LENGTH.
 - 4 - TIN PLATING IS REQUIRED ON BRASS WHEN TERMINAL TEMP. IS OVER 225° F.
 - 5 - HOLE MUST BE SYMMETRICAL ABOUT TAB Q̄ WITHIN 0.076 [.003]
- * TO BE USED ONLY WHEN SHOULDER IS ELIMINATED.



- 1 CONTINUOUS STRIP ON REELS.
- 2 REF CRIMP INFORMATION:
WIRE CRIMP: .110 F TYPE
INSULATION CRIMP .180, F TYPE
- 3 #18-#14 AWG, 2.29-3.94 [.090-.155] DIA OR TWO #18'S WITH 1.90 [.075] MAX INSULATION
- 4 PRELIMINARY - NOT FOR PRODUCTION

| | |
|--------------------------------|-------------|
| SILVER 0.00381 [.000150] MIN | 4 1217094-3 |
| TIN 0.002032 [.000080] MIN | 1217094-2 |
| - | 1217094-1 |
| FINISH | PART NO |

| | | | | |
|--|------------|--------------------------|---|---------------|
| THIS DRAWING IS A CONTROLLED DOCUMENT. | | DRW: JR RUTH 6/19/98 | TE Connectivity | |
| DIMENSIONS: MM [INCHES] | | CHK: MS FEHER 6/19/98 | RECEPTACLE, POSITIVE LOCK, 6.35 [.250] SERIES | |
| TOLERANCES UNLESS OTHERWISE SPECIFIED: | | APD: J GILLISPIE 6/19/98 | RESTRICTED TO | |
| 0 PLC ± - | 1 PLC ± - | PRODUCT SPEC | SIZE | CAGE CODE |
| 2 PLC ± - | 3 PLC ± - | APPLICATION SPEC | A2 | 00779 |
| 4 PLC ± - | ANGLES ± - | WEIGHT | SCALE | 5:1 |
| MATERIAL: H06 BRASS | | FINISH: SEE TABLE | DRAWING NO: 1217094 | SHEET: 1 of 1 |
| | | CUSTOMER DRAWING | REV: C3 | |

X-ON Electronics

Largest Supplier of Electrical and Electronic Components

Click to view similar products for [Terminals](#) category:

Click to view products by [TE Connectivity](#) manufacturer:

Other Similar products are found below :

[00-054007-01074-6](#) [00-054007-70206-1](#) [00-054007-70210-8](#) [00-054007-70217-7](#) [00-054007-70226-9](#) [00-054007-70228-3](#) [00-054007-70248-1](#) [00-054007-70256-6](#) [00-054007-70301-3](#) [00-054007-70316-7](#) [0-0320562-0](#) [00-054007-49560-4](#) [00-054007-70209-2](#) [00-054007-70225-2](#) [00-054007-70227-6](#) [00-054007-70231-3](#) [00-054007-70241-2](#) [00-054007-70242-9](#) [00-054007-70244-3](#) [00-054007-70246-7](#) [00-054007-70263-4](#) [00-054007-70288-7](#) [00-054007-70290-0](#) [00-054007-70300-6](#) [00-054007-70304-4](#) [01-2065-1-0216](#) [01-2900-1-04412](#) [00581P0075](#) [600TS-10](#) [60205-1](#) [604200-1](#) [605601-1](#) [60598-1-CUT-TAPE](#) [61314-6-C](#) [61810-3](#) [61-S](#) [61-SN](#) [626-0194](#) [62-NBM-A](#) [62-SN](#) [62-SP](#) [63-S](#) [640179-1](#) [M55155/059I03](#) [M55155/079C01](#) [M55155/099H02](#) [M55155/109H01](#) [M55155/109H02](#) [M55155/12XH05](#) [M55155/16XH02](#)