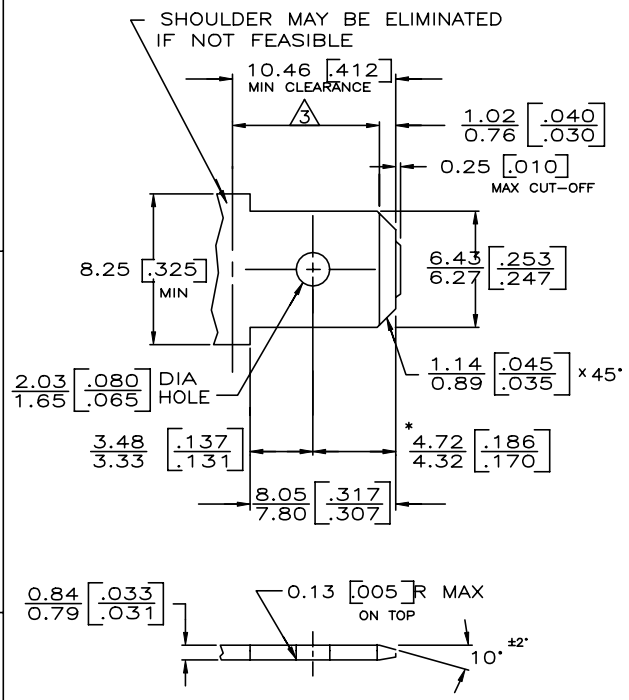


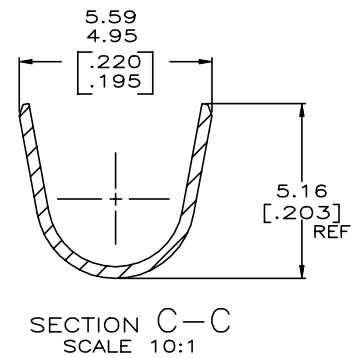
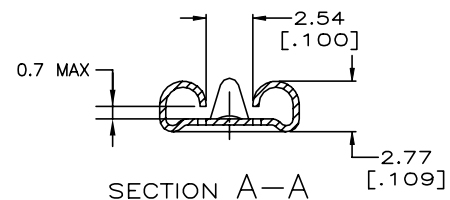
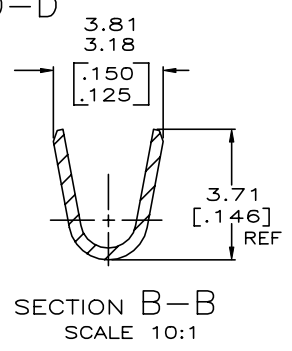
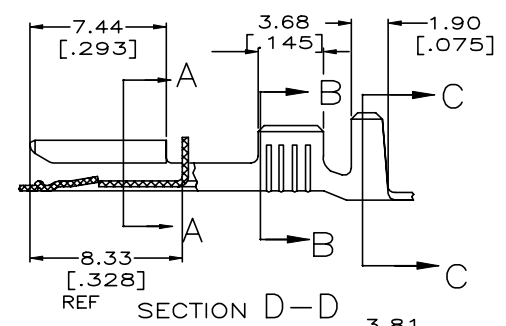
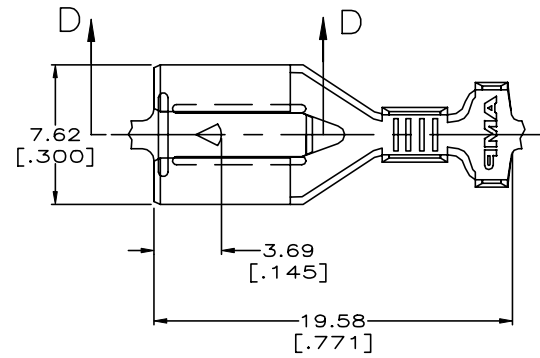
THIS DRAWING IS UNPUBLISHED. RELEASED FOR PUBLICATION. ALL RIGHTS RESERVED.

LOC		DIST		REVISIONS			
P	LTN	DESCRIPTION		DATE	DN	APD	
AF	50	C3	REVISED PER ECR-20-100299	10AUG2020	BDA	WW	

SUGGESTED MATING TAB



- 1 - MATL: 1/2H BRASS OR NICKEL PL STEEL.
 - 2 - NO BURRS PERMISSIBLE AT HOLE.
 - 3 - MUST BE FLAT WITHIN 0.076 [.003] OVER THIS LENGTH.
 - 4 - TIN PLATING IS REQUIRED ON BRASS WHEN TERMINAL TEMP. IS OVER 225° F.
 - 5 - HOLE MUST BE SYMMETRICAL ABOUT TAB Q̄ WITHIN 0.076 [.003]
- * TO BE USED ONLY WHEN SHOULDER IS ELIMINATED.



- 1 CONTINUOUS STRIP ON REELS.
- 2 REF CRIMP INFORMATION:
WIRE CRIMP: .110 F TYPE
INSULATION CRIMP .180, F TYPE
- 3 #18-#14 AWG, 2.29-3.94 [.090-.155] DIA OR TWO #18'S WITH 1.90 [.075] MAX INSULATION
- 4 PRELIMINARY - NOT FOR PRODUCTION

SILVER 0.00381 [.000150] MIN	4 1217094-3
TIN 0.002032 [.000080] MIN	1217094-2
-	1217094-1
FINISH	PART NO

THIS DRAWING IS A CONTROLLED DOCUMENT.		DRW: JR RUTH 6/19/98	TE Connectivity	
DIMENSIONS: MM [INCHES]		CHK: MS FEHER 6/19/98	RECEPTACLE, POSITIVE LOCK, 6.35 [.250] SERIES	
TOLERANCES UNLESS OTHERWISE SPECIFIED:		APD: J GILLISPIE 6/19/98	RESTRICTED TO	
0 PLC ± -	1 PLC ± -	PRODUCT SPEC	SIZE	CAGE CODE
2 PLC ± 0.25 [.010]	3 PLC ± -	APPLICATION SPEC	A2	00779
4 PLC ± -	ANGLES ± -	WEIGHT	C=	1217094
MATERIAL: H06 BRASS		FINISH: SEE TABLE	CUSTOMER DRAWING	SCALE: 5:1
			SHEET: 1 of 1	REV: C3

X-ON Electronics

Largest Supplier of Electrical and Electronic Components

Click to view similar products for [Automotive Connectors](#) category:

Click to view products by [TE Connectivity](#) manufacturer:

Other Similar products are found below :

[003-018-000](#) [60403001](#) [60993906-B](#) [M902-2131](#) [M902-2161](#) [M902-2344](#) [72.330.1035.1](#) [73.353.4028.0](#) [F119300-B](#) [F166900](#) [F258300-B](#)
[F358300-B](#) [F407400](#) [F444110](#) [F487000](#) [F509500B-B](#) [827153-1](#) [8N1515-32-24P](#) [9-1326729-8](#) [925474-1](#) [928905-1](#) [964562-4](#) [968782-1](#)
[GT17SA-8DS-HU](#) [98891-1012](#) [98947-1016](#) [12004147](#) [12004475-L](#) [12010290](#) [12010309-B](#) [12015454](#) [12020219-B](#) [12041318-B](#) [12052225-](#)
[L](#) [12052466](#) [12064869](#) [12004327-B](#) [12015308](#) [12015384](#) [12015909](#) [1-21030-1](#) [12041254](#) [12041318](#) [12047946-B](#) [12047957](#) [12047957-L](#)
[12059473](#) [12066261](#) [12110546](#) [12110546-B](#)