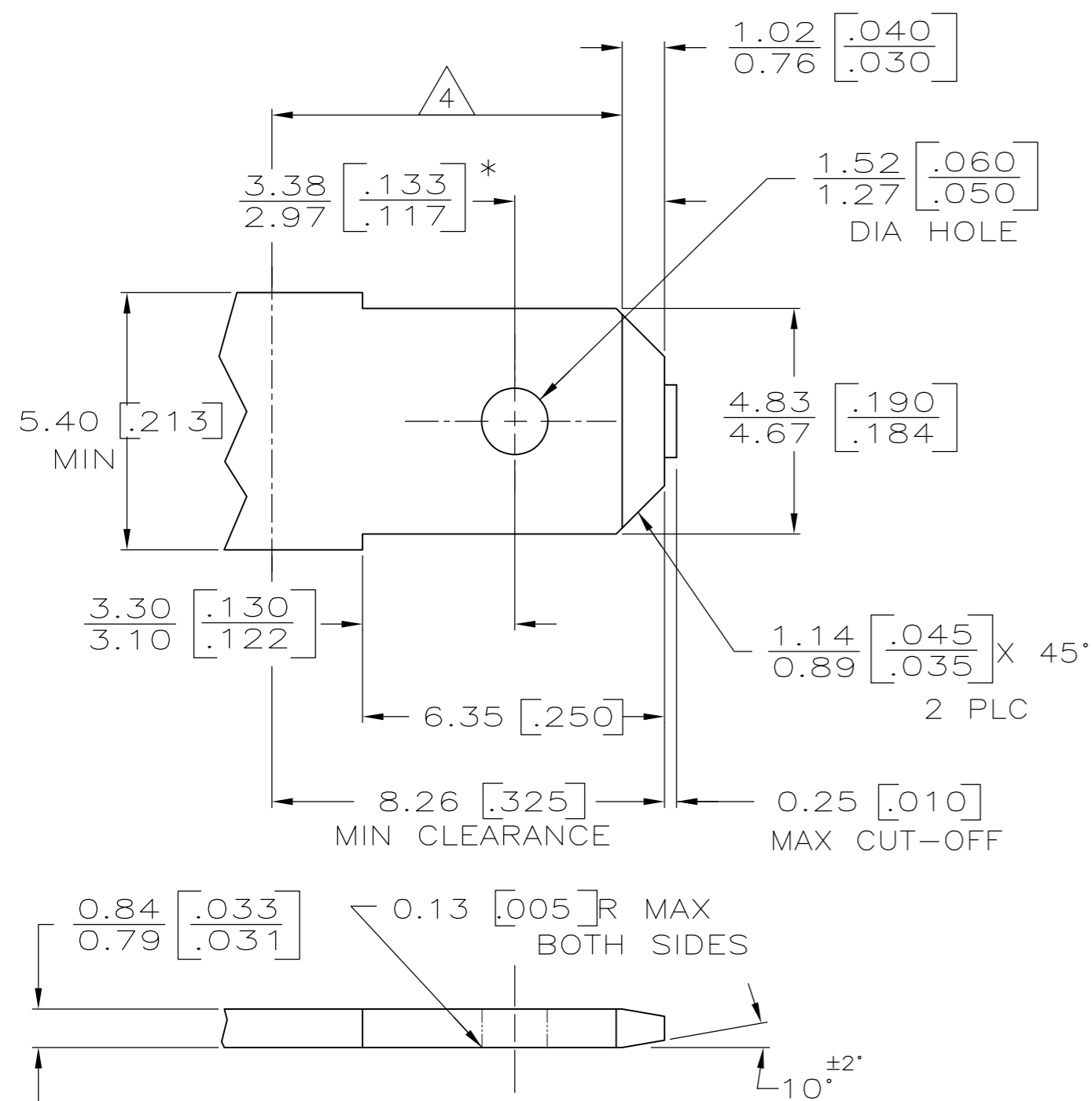


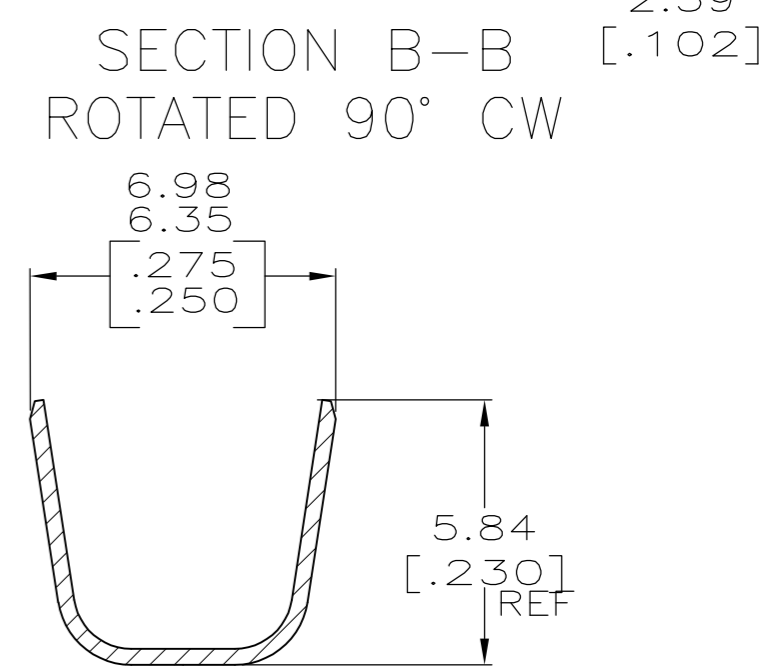
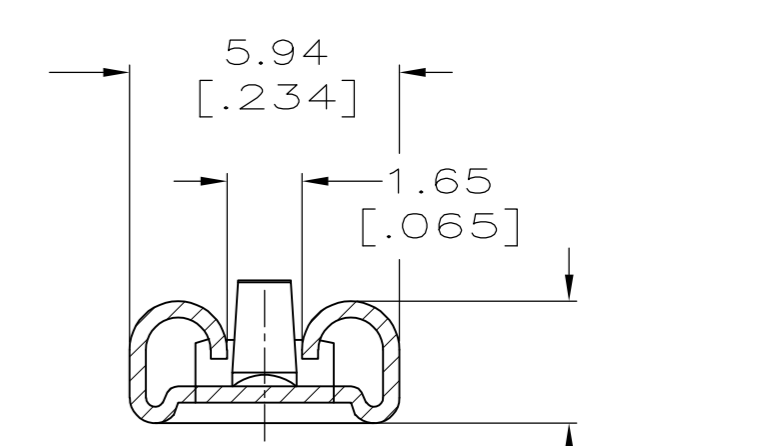
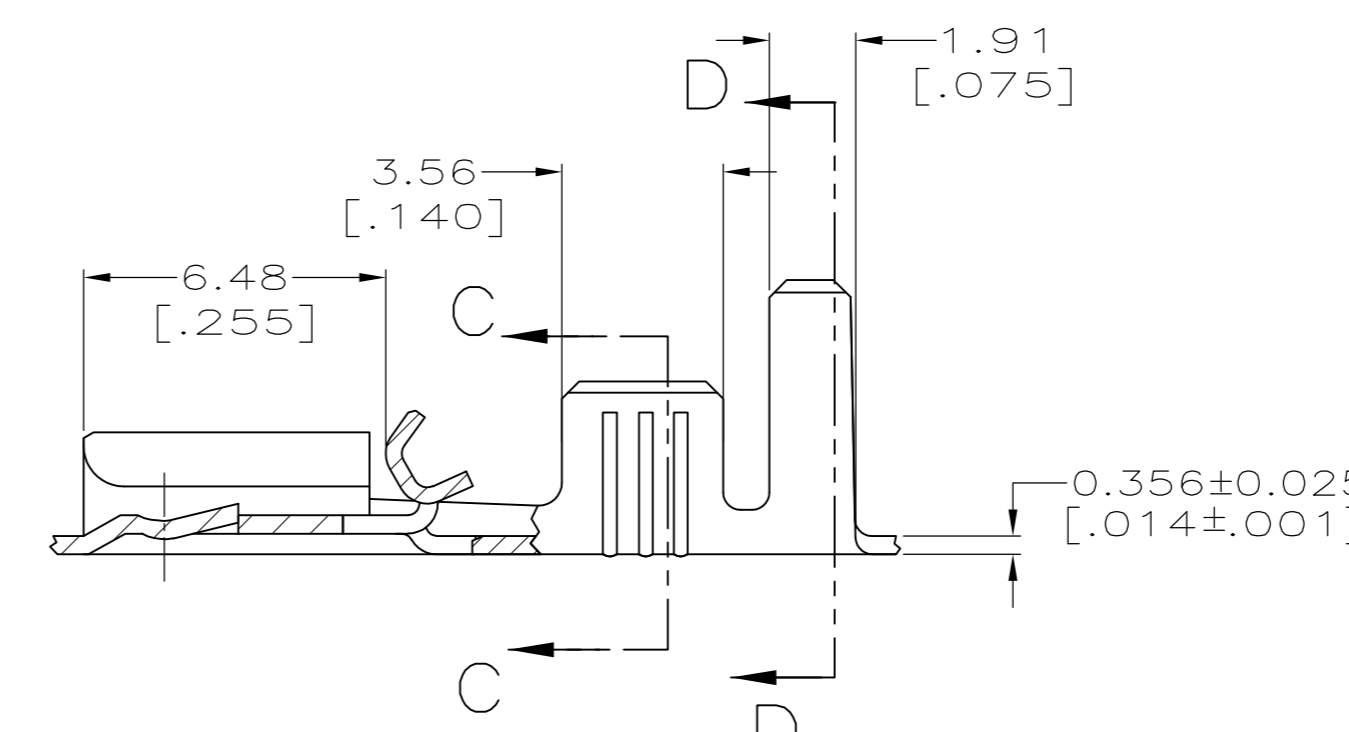
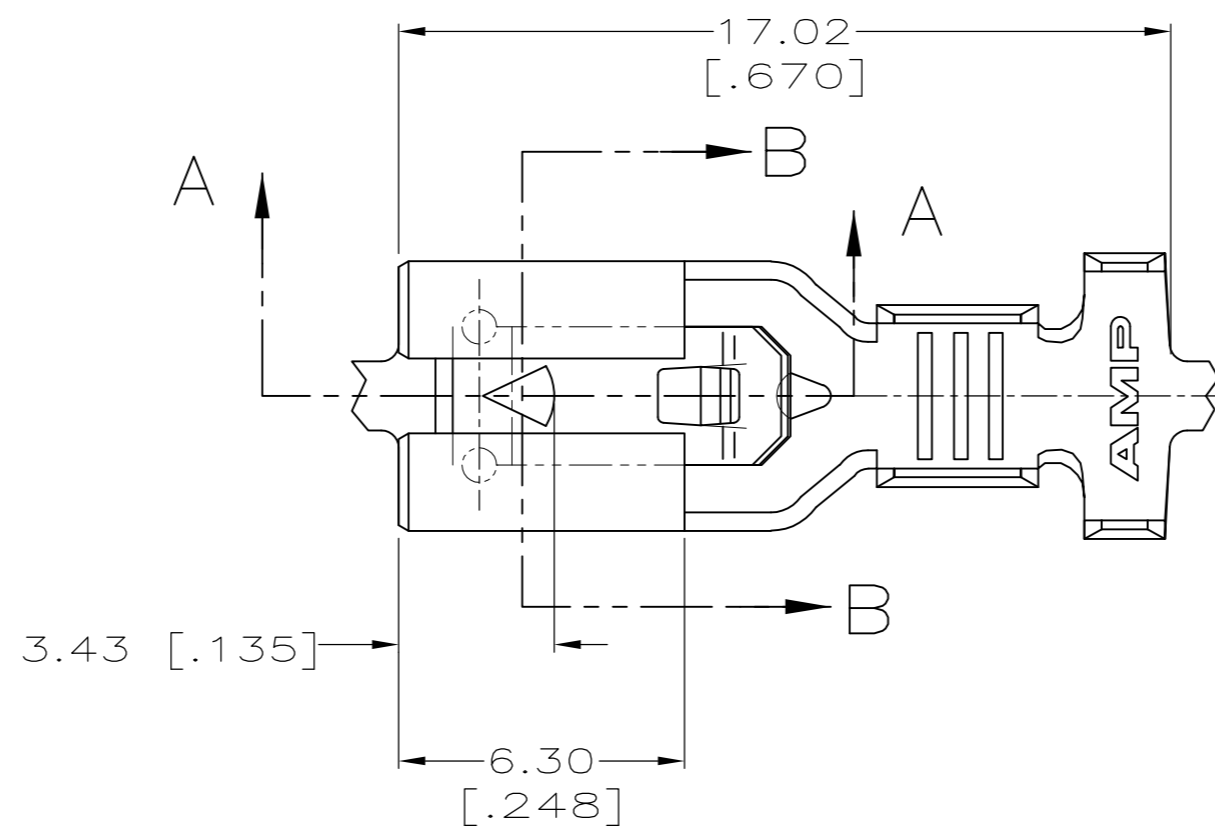
THIS DRAWING IS UNPUBLISHED. RELEASED FOR PUBLICATION
 © COPYRIGHT - By - ALL RIGHTS RESERVED.

LOC		DIST		REVISIONS			
P	LTR	DESCRIPTION		DATE	DWN	APVD	
AF	50	D		REVISED PER ECR-13-011489	14DEC2013	KH	PD

SUGGESTED MATING TAB



- MATL: #2 HARD BRASS OR NICKEL PLATE STEEL.
 - NO BURRS PERMISSIBLE AT HOLE.
 - TIN PLATING IS REQUIRED ON BRASS WHEN TERMINAL TEMPERATURE IS OVER 225° F.
 - MUST BE FLAT WITHIN 0.076[.003] OVER THIS LENGTH.
 - HOLE MUST BE SYMMETRICAL ABOUT TAB & WITHIN 0.076[.003].
- * TO BE USED ONLY WHEN SHOULDER IS ELIMINATED.



- CONTINUOUS STRIP ON REELS.
- ACCEPTS [#18-#14] SINGLE WIRE SIZES AND COMBINATION OF TWO [#18'S] WIRE CRIMP IS 3.05 [.120], F TYPE.
- FITS INSULATION RANGE OF 3.81-5.08 [.150-.200] DIA OR TWO WIRES AT 2.79 [.110] MAX DIA. INSULATION CRIMP IS 5.59 [.220], F TYPE

THIS DRAWING IS A CONTROLLED DOCUMENT.		DWN	JR RUTH	6/26/98	0.002032 [.000080] MIN TIN		1217096-2
DIMENSIONS: mm [INCHES]		CHK	MS FEHER	6/26/98	-		1217096-1
TOLERANCES UNLESS OTHERWISE SPECIFIED:		APVD	E HOWARD	6/26/98	FINISH		PART NO.
0 PLC	± -	PRODUCT SPEC	TE Connectivity				
1 PLC	± -	APPLICATION SPEC	RECEPTACLE, POSITIVE-LOCK, MARK III, 4.75 [.187] SERIES				
2 PLC	± 0.25 [.010]	WEIGHT	-				
3 PLC	± -	CUSTOMER DRAWING	-				
4 PLC	± -	SCALE	6:1				
ANGLES	± -	SHEET	1 of 1				
FINISH	SEE TABLE	REV	D				

X-ON Electronics

Largest Supplier of Electrical and Electronic Components

Click to view similar products for [Automotive Connectors](#) category:

Click to view products by [TE Connectivity](#) manufacturer:

Other Similar products are found below :

[003-018-000](#) [60403001](#) [60993906-B](#) [M902-2131](#) [M902-2161](#) [M902-2344](#) [72.330.1035.1](#) [73.353.4028.0](#) [F119300-B](#) [F166900](#) [F258300-B](#)
[F358300-B](#) [F407400](#) [F444110](#) [F487000](#) [F509500B-B](#) [827153-1](#) [8N1515-32-24P](#) [9-1326729-8](#) [925474-1](#) [928905-1](#) [964562-4](#) [968782-1](#)
[GT17SA-8DS-HU](#) [98891-1012](#) [98947-1016](#) [12004147](#) [12004475-L](#) [12010290](#) [12010309-B](#) [12015454](#) [12020219-B](#) [12041318-B](#) [12052225-](#)
[L](#) [12052466](#) [12064869](#) [12004327-B](#) [12015308](#) [12015384](#) [12015909](#) [1-21030-1](#) [12041254](#) [12041318](#) [12047946-B](#) [12047957](#) [12047957-L](#)
[12059473](#) [12066261](#) [12110546](#) [12110546-B](#)