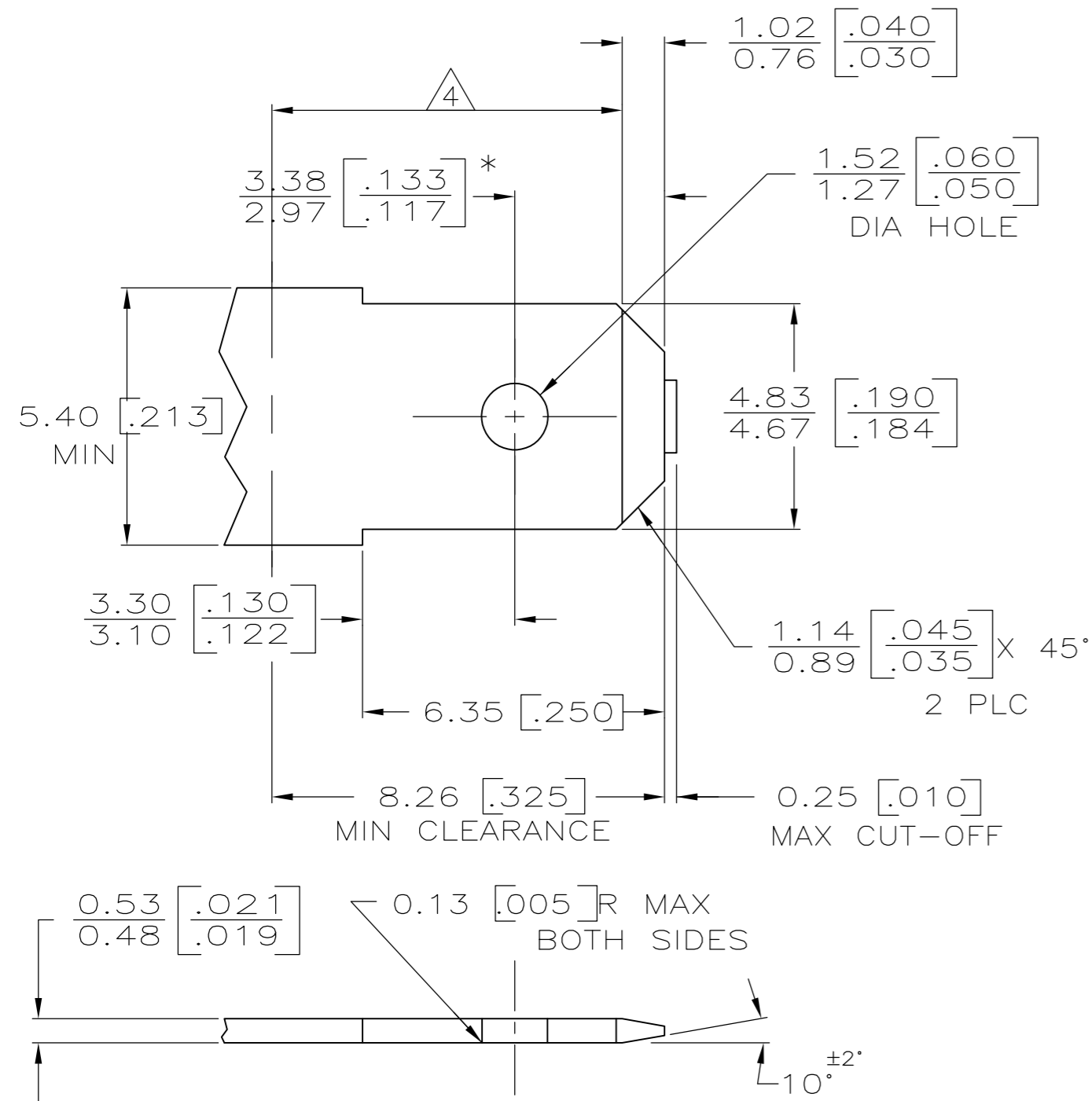
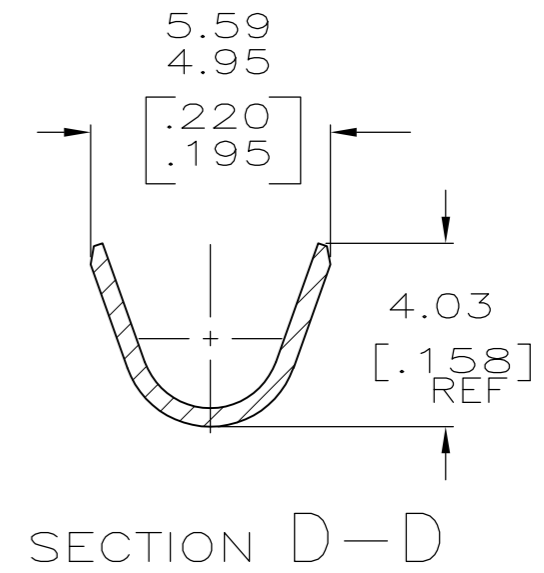
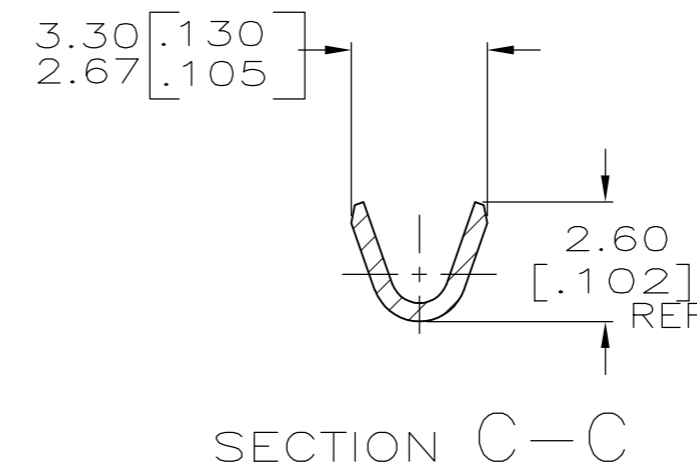
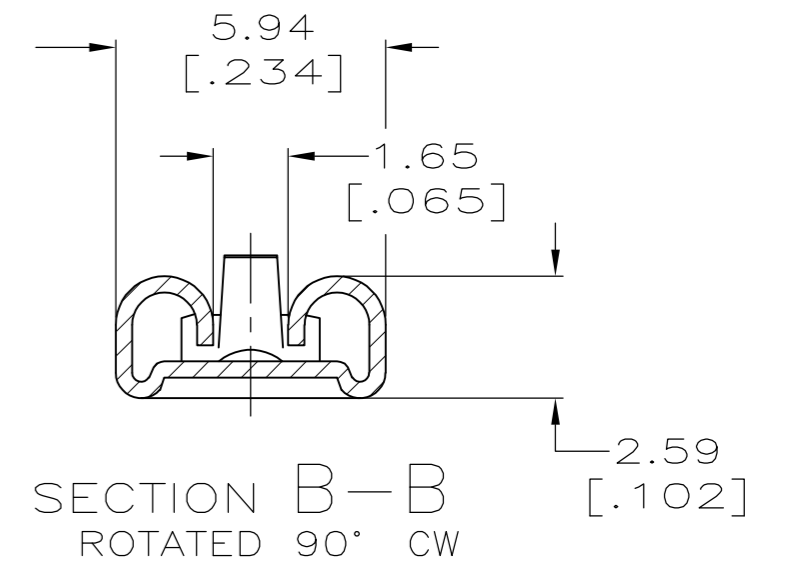
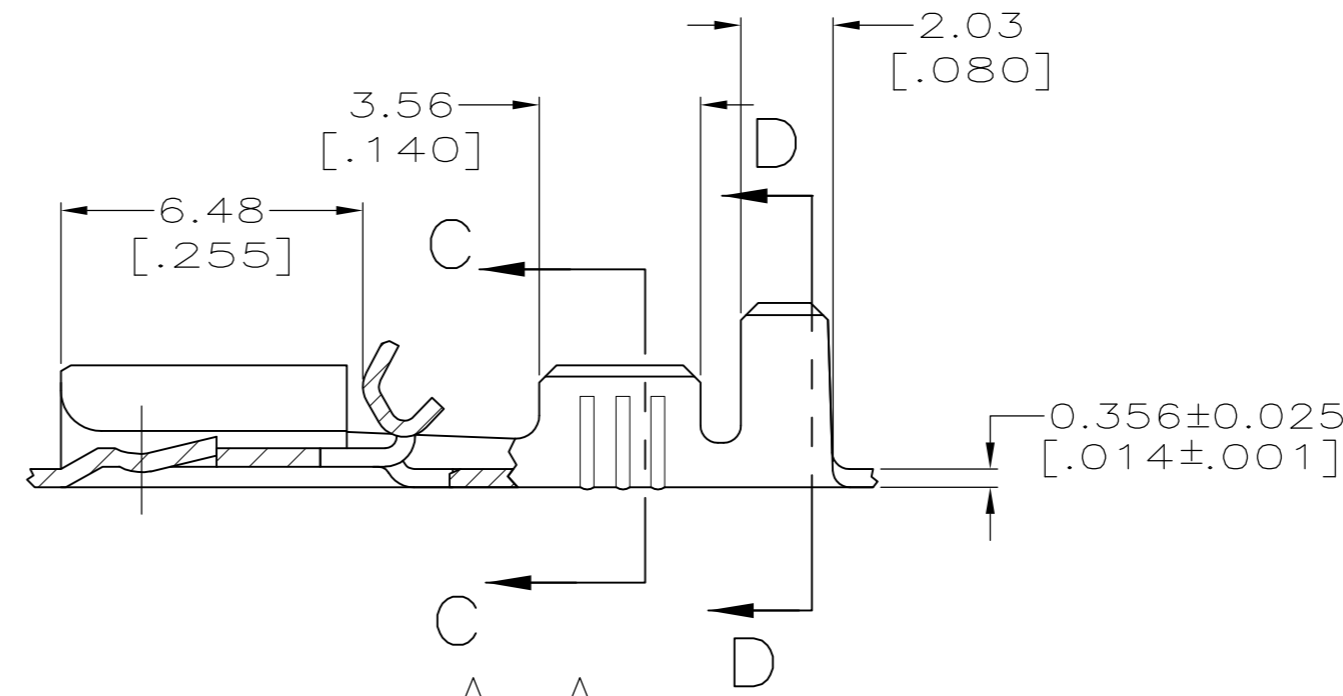
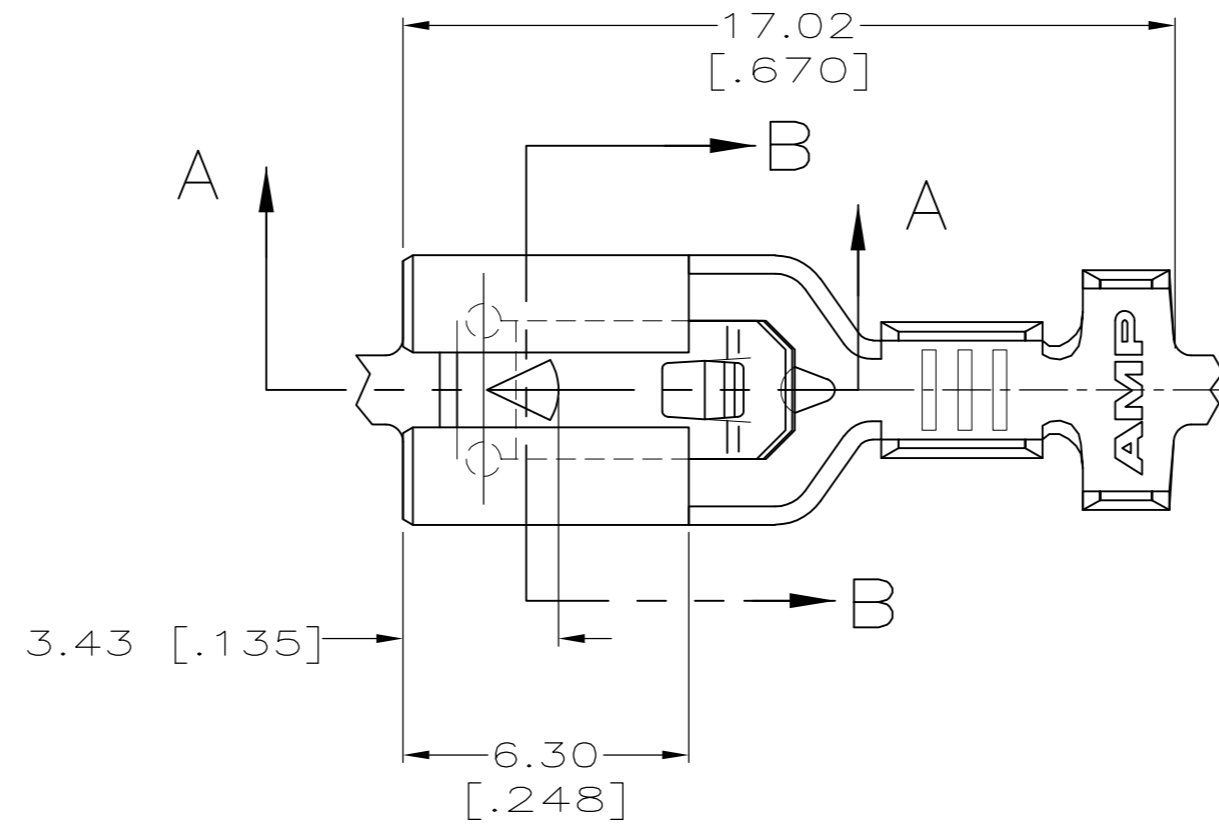


LOC		DIST		REVISIONS			
P	LTR	DESCRIPTION	DATE	DWN	APVD		
AF	50	E	REVISED PER ECR-12-013486	10JAN13	KH	KR	

SUGGESTED MATING TAB



- 1 MATL: #2 HARD BRASS OR NICKEL PLATE STEEL.
  - 2 NO BURRS PERMISSIBLE AT HOLE.
  - 3 TIN PLATING IS REQUIRED ON BRASS WHEN TERMINAL TEMPERATURE IS OVER 225°F
  - 4 MUST BE FLAT WITHIN 0.076 [.003] OVER THIS LENGTH.
  - 5 HOLE MUST BE SYMMETRICAL ABOUT TAB  $\phi$  WITHIN 0.076 [.003].
- \* TO BE USED ONLY WHEN SHOULDER IS ELIMINATED.



TIN	1217113-2
-	1217113-1
FINISH	PART NO.

THIS DRAWING IS A CONTROLLED DOCUMENT.		DWN	JR RUTH	9/17/98
DIMENSIONS: mm [INCHES]		CHK	MS FEHER	9/17/98
TOLERANCES UNLESS OTHERWISE SPECIFIED:		APVD	E HOWARD	9/17/98
0 PLC	± -	PRODUCT SPEC		
1 PLC	± -	APPLICATION SPEC		
2 PLC	± 0.25 [.010]			
3 PLC	± -			
4 PLC	± -			
ANGLES	± -			
MATERIAL	FINISH	WEIGHT		
BRASS	SEE TABLE	-	SIZE	CAGE CODE
		CUSTOMER DRAWING	A2	00779
			DRAWING NO	RESTRICTED TO
			C=1217113	-
			SCALE	SHEET
			6:1	1 OF 1
			REV	E

## X-ON Electronics

Largest Supplier of Electrical and Electronic Components

*Click to view similar products for [Terminals](#) category:*

*Click to view products by [TE Connectivity](#) manufacturer:*

Other Similar products are found below :

[00-054007-01074-6](#) [00-054007-70206-1](#) [00-054007-70210-8](#) [00-054007-70217-7](#) [00-054007-70226-9](#) [00-054007-70228-3](#) [00-054007-70248-1](#) [00-054007-70256-6](#) [00-054007-70301-3](#) [00-054007-70316-7](#) [0-0320562-0](#) [00-054007-49560-4](#) [00-054007-70209-2](#) [00-054007-70225-2](#) [00-054007-70227-6](#) [00-054007-70231-3](#) [00-054007-70241-2](#) [00-054007-70242-9](#) [00-054007-70244-3](#) [00-054007-70246-7](#) [00-054007-70263-4](#) [00-054007-70288-7](#) [00-054007-70290-0](#) [00-054007-70300-6](#) [00-054007-70304-4](#) [01-2065-1-0216](#) [01-2900-1-04412](#) [00581P0075](#) [600TS-10](#) [60205-1](#) [604200-1](#) [605601-1](#) [60598-1-CUT-TAPE](#) [61314-6-C](#) [61810-3](#) [61-S](#) [61-SN](#) [626-0194](#) [62-NBM-A](#) [62-SN](#) [62-SP](#) [63-S](#) [640179-1](#) [M55155/059I03](#) [M55155/079C01](#) [M55155/099H02](#) [M55155/109H01](#) [M55155/109H02](#) [M55155/12XH05](#) [M55155/16XH02](#)