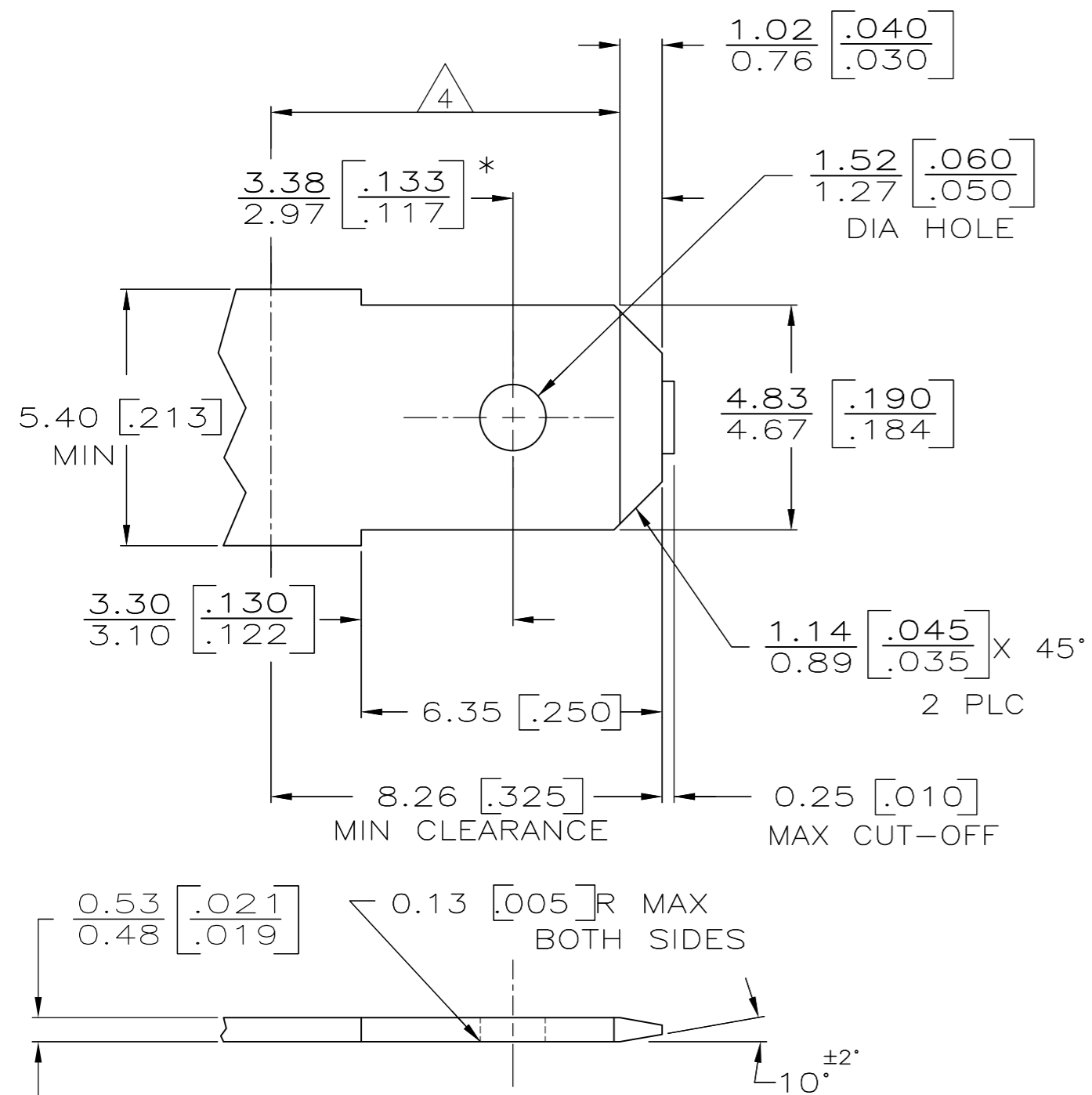


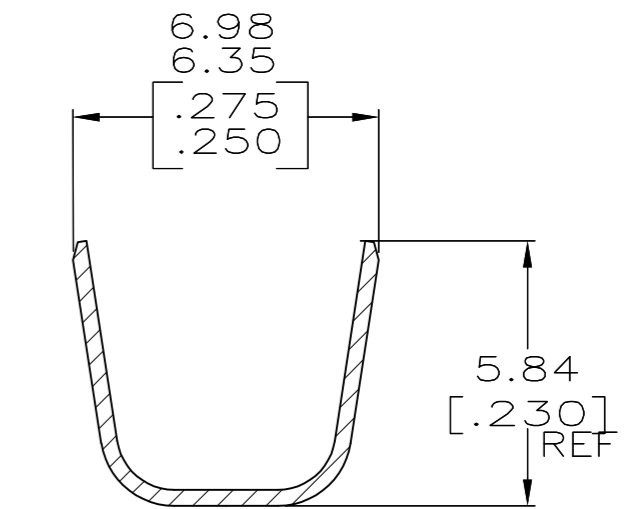
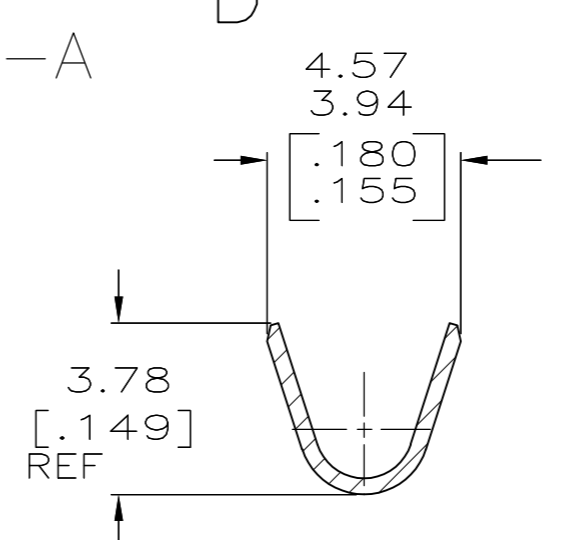
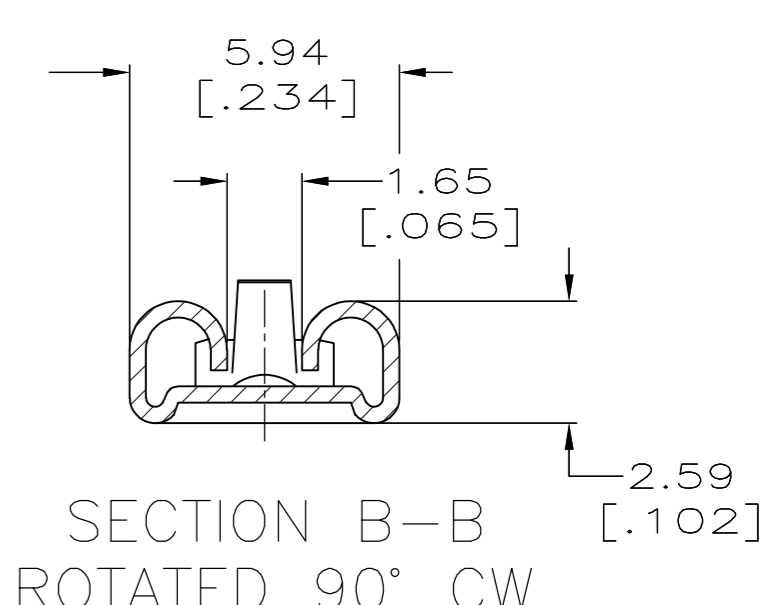
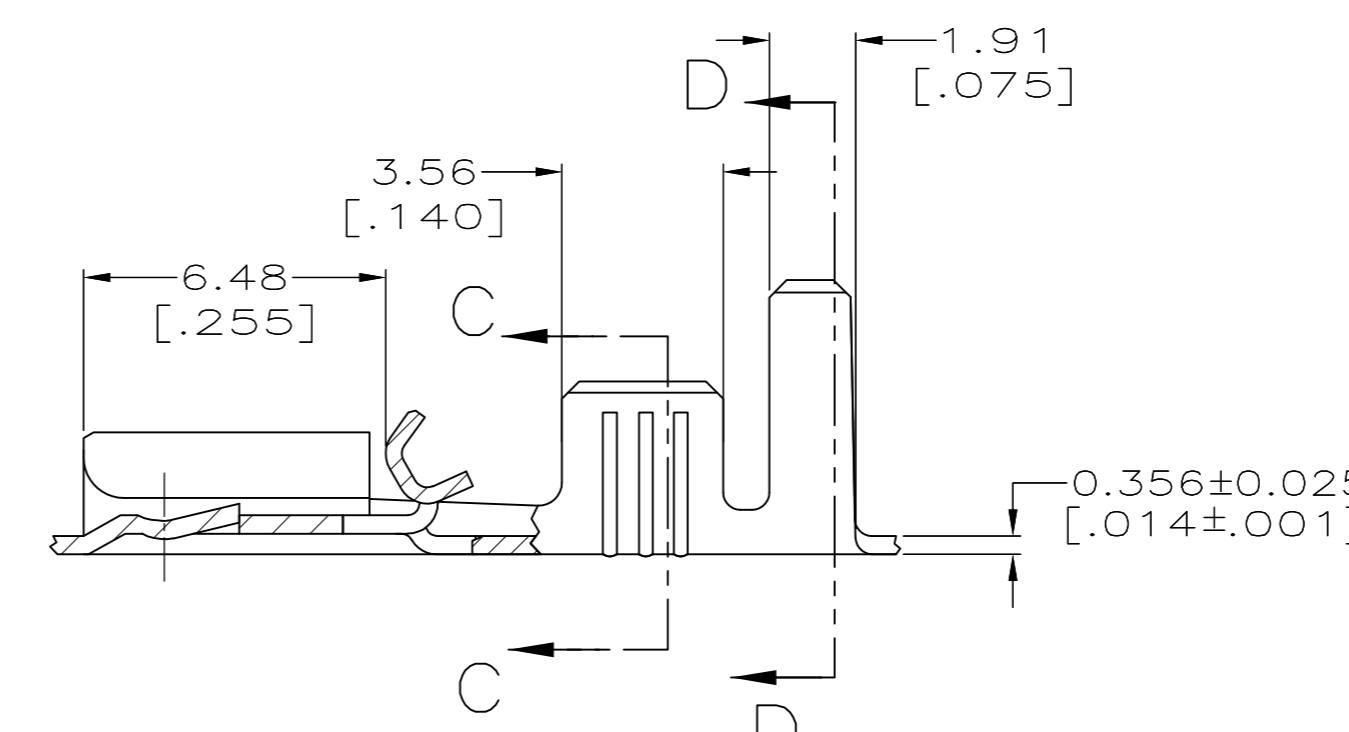
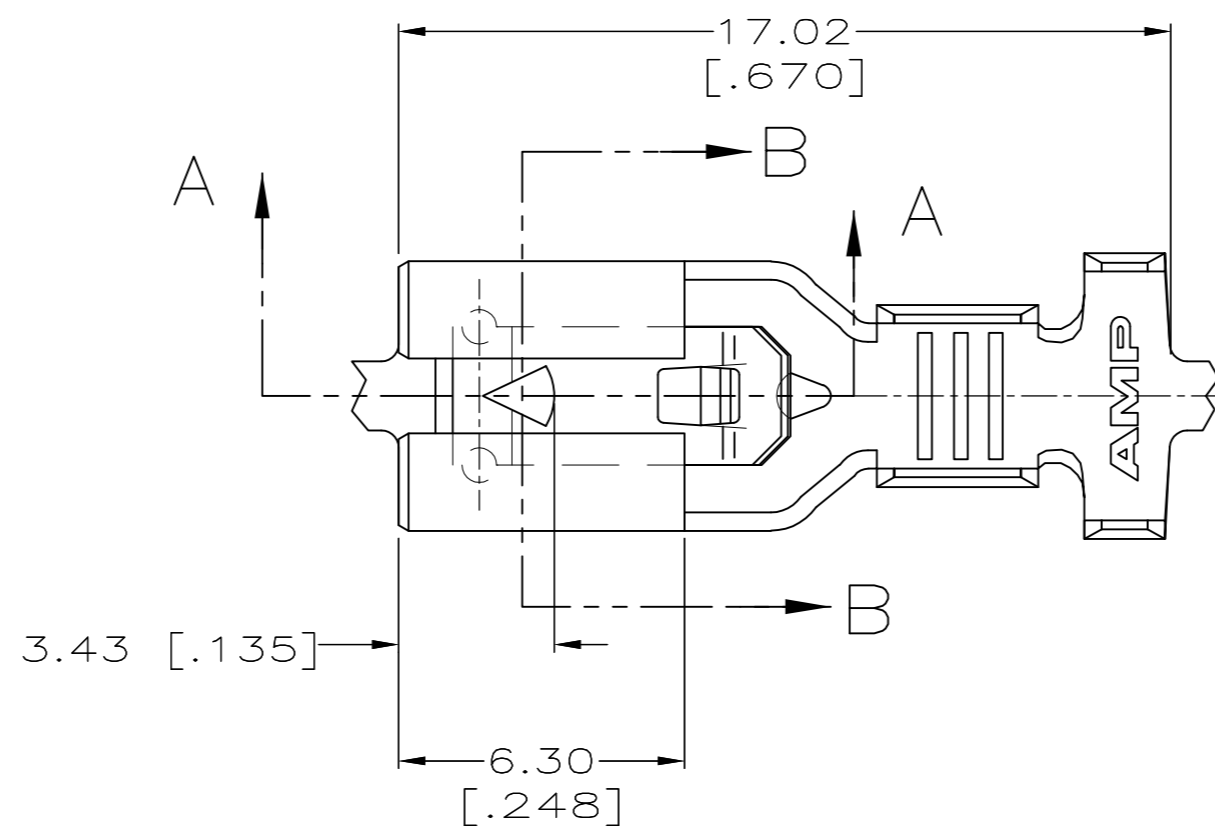
THIS DRAWING IS UNPUBLISHED. RELEASED FOR PUBLICATION
 © COPYRIGHT - By - ALL RIGHTS RESERVED.

LOC		DIST		REVISIONS			
P	LTR	DESCRIPTION		DATE	DWN	APVD	
AF	50	D		REVISED PER ECR-13-011489	14DEC2013	KH	PD

SUGGESTED MATING TAB



- MATL: #2 HARD BRASS OR NICKEL PLATE STEEL.
 - NO BURRS PERMISSIBLE AT HOLE.
 - TIN PLATING IS REQUIRED ON BRASS WHEN TERMINAL TEMPERATURE IS OVER 225° F.
 - MUST BE FLAT WITHIN 0.076[.003] OVER THIS LENGTH.
 - HOLE MUST BE SYMMETRICAL ABOUT TAB & WITHIN 0.076[.003].
- * TO BE USED ONLY WHEN SHOULDER IS ELIMINATED.



- CONTINUOUS STRIP ON REELS.
- ACCEPTS [#18-#14] SINGLE WIRE SIZES AND COMBINATION OF TWO [#18'S]. WIRE CRIMP IS 3.05 [.120], F TYPE.
- FITS INSULATION RANGE OF 3.81-5.08 [.150-.200] DIA OR TWO WIRES AT 2.79 [.110] MAX DIA. INSULATION CRIMP IS 5.59 [.220], F TYPE.

0.002032 [.000080] MIN TIN	1217114-2
-	1217114-1
FINISH	PART NO.

THIS DRAWING IS A CONTROLLED DOCUMENT.		DWN	JR RUTH	9/17/98	 TE Connectivity											
DIMENSIONS: mm [INCHES]		CHK	MS FEHER	9/17/98												
TOLERANCES UNLESS OTHERWISE SPECIFIED:		APVD	E HOWARD	9/17/98												
<table border="1"> <tr><td>0 PLC</td><td>± -</td></tr> <tr><td>1 PLC</td><td>± -</td></tr> <tr><td>2 PLC</td><td>± 0.25 [.010]</td></tr> <tr><td>3 PLC</td><td>± -</td></tr> <tr><td>4 PLC</td><td>± -</td></tr> <tr><td>ANGLES</td><td>± -</td></tr> </table>		0 PLC	± -	1 PLC		± -	2 PLC	± 0.25 [.010]	3 PLC	± -	4 PLC	± -	ANGLES	± -	PRODUCT SPEC	-
0 PLC	± -															
1 PLC	± -															
2 PLC	± 0.25 [.010]															
3 PLC	± -															
4 PLC	± -															
ANGLES	± -															
MATERIAL	BRASS	FINISH	SEE TABLE	WEIGHT	-											
CUSTOMER DRAWING		SCALE	6:1	SHEET	1 OF 1											
NAME		RECEPTACLE, POSITIVE-LOCK, MARK III, 4.75 [.187] SERIES		SIZE	A2											
CAGE CODE		00779		DRAWING NO	C=1217114											
RESTRICTED TO		-		REV	D											

X-ON Electronics

Largest Supplier of Electrical and Electronic Components

Click to view similar products for [Automotive Connectors](#) category:

Click to view products by [TE Connectivity](#) manufacturer:

Other Similar products are found below :

[003-018-000](#) [60403001](#) [60993906-B](#) [M902-2131](#) [M902-2161](#) [72.330.1035.1](#) [73.353.4028.0](#) [F119300-B](#) [F166900](#) [F258300-B](#) [F358300-B](#)
[F407400](#) [F444110](#) [F487000](#) [F509500B-B](#) [827153-1](#) [8N1515-32-24P](#) [9-1326729-8](#) [925474-1](#) [928905-1](#) [964562-4](#) [968782-1](#) [GT17SA-8DS-](#)
[HU](#) [98891-1012](#) [98947-1016](#) [12004147](#) [12004475-L](#) [12010290](#) [12010309-B](#) [12015454](#) [12020219-B](#) [12020308](#) [12041318-B](#) [12052225-L](#)
[12052466](#) [12059125](#) [12064869](#) [12004327-B](#) [12010503-B](#) [12015308](#) [12015384](#) [12015909](#) [1-21030-1](#) [12041254](#) [12041318](#) [12047946-B](#)
[12047957](#) [12047957-L](#) [12059473](#) [12066261](#)