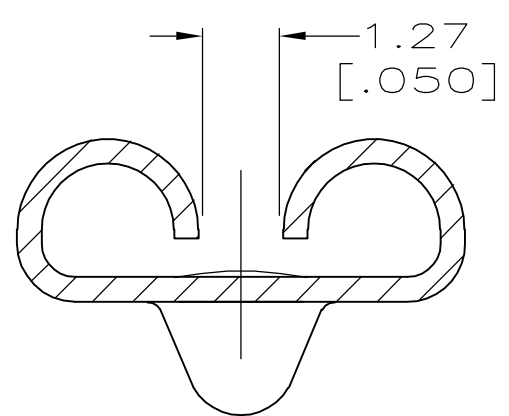
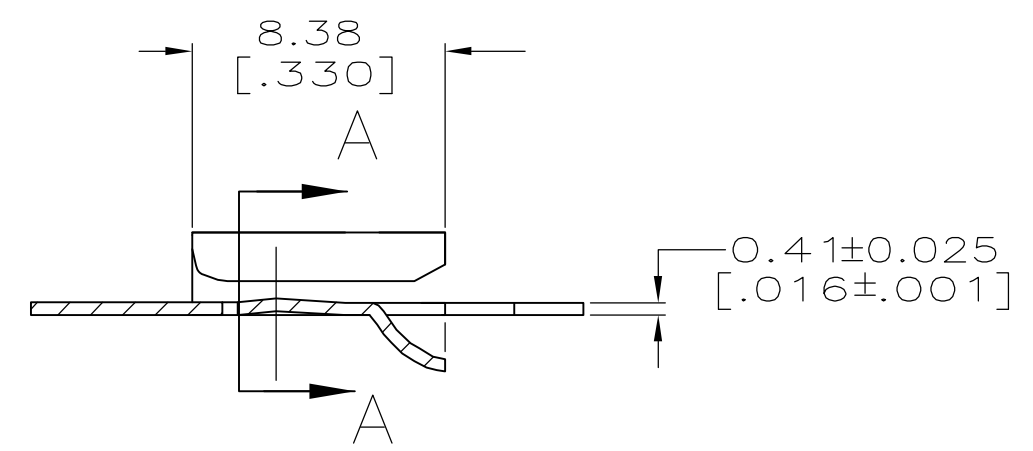
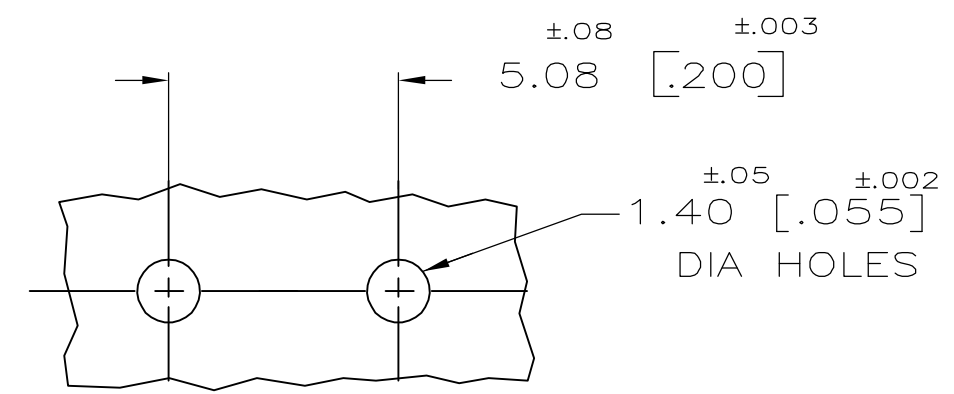
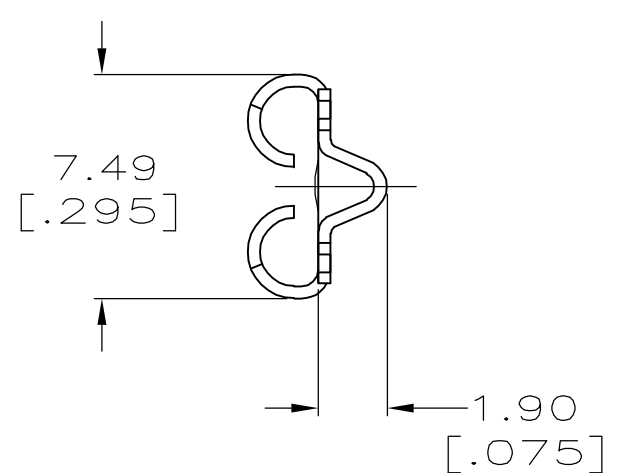
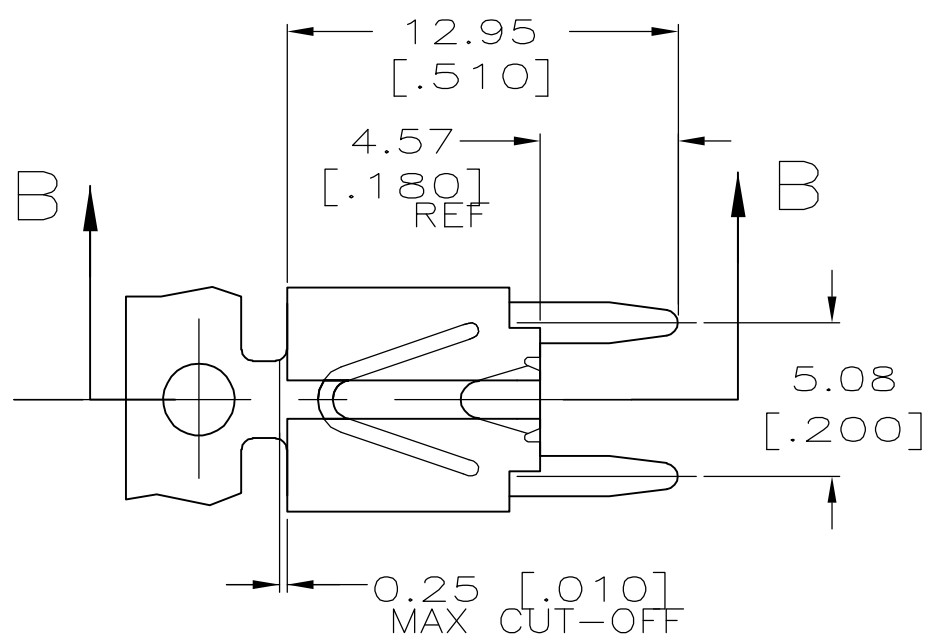


THIS DRAWING IS UNPUBLISHED. RELEASED FOR PUBLICATION
 © COPYRIGHT BY TYCO ELECTRONICS CORPORATION. ALL RIGHTS RESERVED.

LOC	DIST	REVISIONS					
AF	50	P	LTR	DESCRIPTION	DATE	DWN	APVD
			D2	REV PER ECR 05-013999	25OCT05	JR	PD

- 1 CONTINUOUS STRIP ON REELS.
- △2 0.00254 [.000100] MIN THK TIN OVER 0.00127 [.000050] MIN NICKEL
- 3 MATING TAB THK IS 0.635±0.025 [.025±.001].
- △4 REVERSE REELING OF -1



SECTION A-A
SCALE 8:1

△4	1217137-2
	1217137-1
	PART NO.

THIS DRAWING IS A CONTROLLED DOCUMENT.		DWN	JR RUTH	26JAN99		Tyco Electronics Corporation	
DIMENSIONS: INCHES		CHK	MS FEHER	26JAN99		Harrisburg, PA 17105	
		APVD	D BRATINA	26JAN99		NAME	
TOLERANCES UNLESS OTHERWISE SPECIFIED:		PRODUCT SPEC			RECEPTACLE, FASTON, 6.35/5.21		
0 PLC ± -		APPLICATION SPEC			[.250/.205] SERIES, PC BOARD MOUNTED		
1 PLC ± -		WEIGHT	-		SIZE	A3	RESTRICTED TO
2 PLC ± 0.25 [.010]		CUSTOMER DRAWING		SCALE	4:1	SHEET	1 OF 1
3 PLC ± -				CAGE CODE	00779	DRAWING NO	REV
4 PLC ± -				D	C=1217137	D2	
ANGLES ± -							
FINISH							
H04 BRASS							

X-ON Electronics

Largest Supplier of Electrical and Electronic Components

Click to view similar products for [Terminals](#) category:

Click to view products by [TE Connectivity](#) manufacturer:

Other Similar products are found below :

[00-054007-01074-6](#) [00-054007-70206-1](#) [00-054007-70210-8](#) [00-054007-70217-7](#) [00-054007-70226-9](#) [00-054007-70228-3](#) [00-054007-70248-1](#) [00-054007-70256-6](#) [00-054007-70301-3](#) [00-054007-70316-7](#) [0-0320562-0](#) [00-054007-49560-4](#) [00-054007-70209-2](#) [00-054007-70225-2](#) [00-054007-70227-6](#) [00-054007-70231-3](#) [00-054007-70241-2](#) [00-054007-70242-9](#) [00-054007-70244-3](#) [00-054007-70246-7](#) [00-054007-70263-4](#) [00-054007-70288-7](#) [00-054007-70290-0](#) [00-054007-70300-6](#) [00-054007-70304-4](#) [01-2065-1-0216](#) [01-2900-1-04412](#) [00581P0075](#) [600TS-10](#) [60205-1](#) [604200-1](#) [605601-1](#) [60598-1-CUT-TAPE](#) [61314-6-C](#) [61810-3](#) [61-S](#) [61-SN](#) [626-0194](#) [62-NBM-A](#) [62-SN](#) [62-SP](#) [63-S](#) [640179-1](#) [M55155/059I03](#) [M55155/079C01](#) [M55155/099H02](#) [M55155/109H01](#) [M55155/109H02](#) [M55155/12XH05](#) [M55155/16XH02](#)