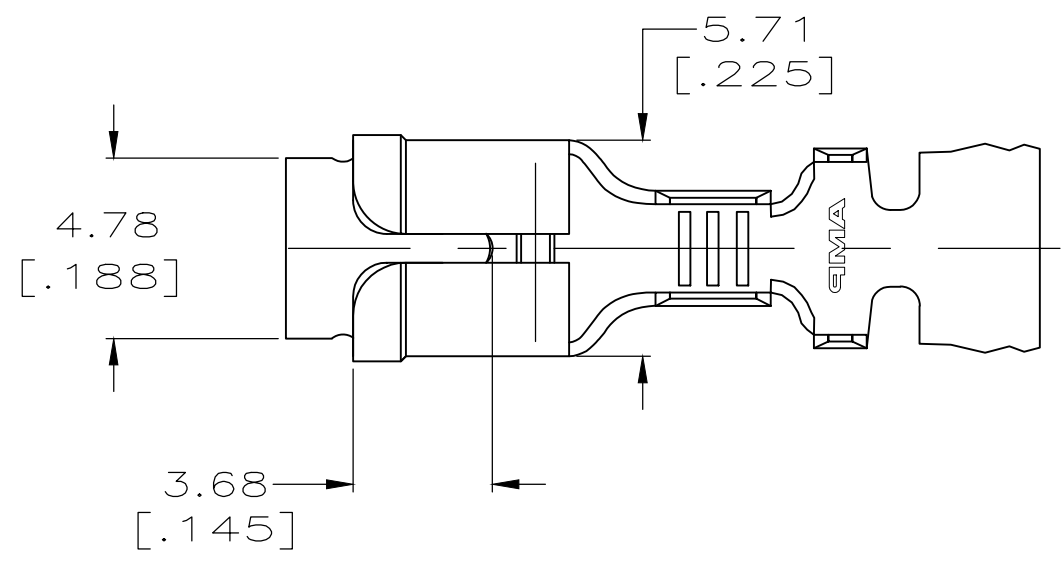


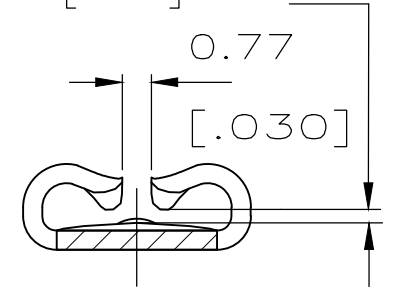
THIS DRAWING IS UNPUBLISHED. RELEASED FOR PUBLICATION
 © COPYRIGHT - By - ALL RIGHTS RESERVED.

LOC	DIST	REVISIONS			
P	LTR	DESCRIPTION	DATE	DWN	APVD
AF	50	C1	REVISED PER ECR-20-009164	23JUL2020	MK DH

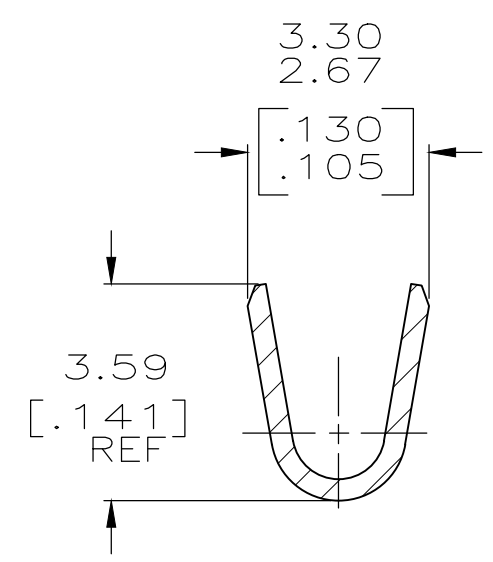
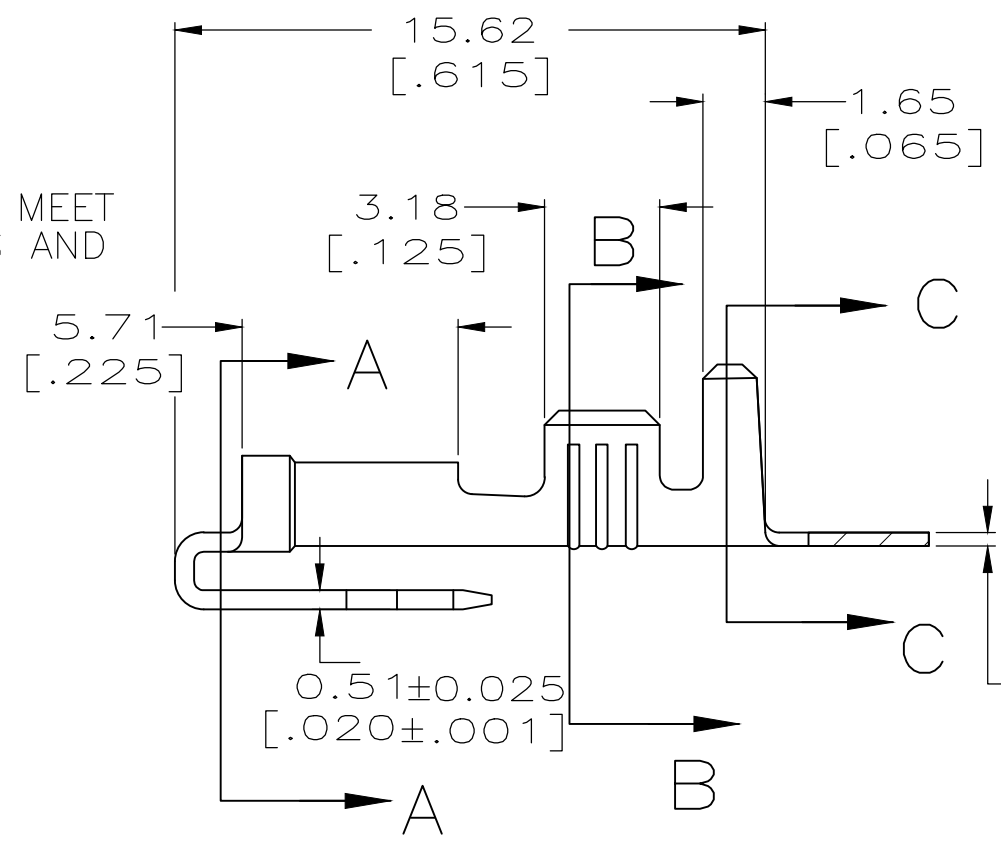


- CONTINUOUS STRIP ON REELS.
- WIRE SIZE IS [#18-#14] AWG.
- INSULATION RANGE IS 2.79-4.06 [.110-.160] DIA.
- MATING TAB THK IS 0.53-0.48 [.021-.019].

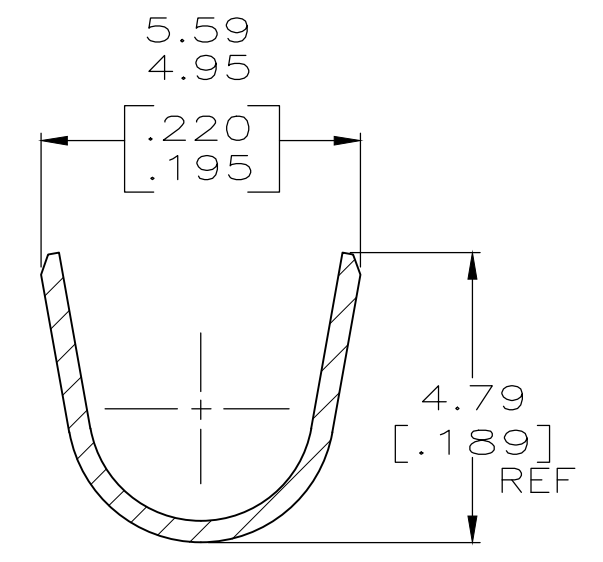
GAP AS REQUIRED TO MEET FORCE SPECIFICATIONS AND 0.45 [.018]MAX



SECTION A-A



SECTION B-B
SCALE 8:1



SECTION C-C
SCALE 8:1

1217151-1
PART NO.

THIS DRAWING IS A CONTROLLED DOCUMENT.		DWN	JR RUTH	6MAY99	TE Connectivity RECEPTACLE, PIGGYBACK, FASTON, 4.75 [.187] SERIES			
DIMENSIONS: mm [INCHES]		CHK	MS FEHER	6MAY99				
TOLERANCES UNLESS OTHERWISE SPECIFIED:		APVD	S HEADER	6MAY99				
0 PLC ± - 1 PLC ± - 2 PLC ± 0.25 [.010] 3 PLC ± - 4 PLC ± - ANGLES ± -		PRODUCT SPEC	-	-				
MATERIAL	BRASS	FINISH	TIN	NAME	SIZE	CAGE CODE	DRAWING NO	RESTRICTED TO
CUSTOMER DRAWING		WEIGHT	-	A3	00779	C-1217151	-	
SCALE		5:1	SHEET		1 OF 1	REV	C1	

X-ON Electronics

Largest Supplier of Electrical and Electronic Components

Click to view similar products for [Terminals](#) category:

Click to view products by [TE Connectivity](#) manufacturer:

Other Similar products are found below :

[00-054007-01074-6](#) [00-054007-70206-1](#) [00-054007-70210-8](#) [00-054007-70217-7](#) [00-054007-70226-9](#) [00-054007-70228-3](#) [00-054007-70248-1](#) [00-054007-70256-6](#) [00-054007-70301-3](#) [00-054007-70316-7](#) [0-0320562-0](#) [00-054007-49560-4](#) [00-054007-70209-2](#) [00-054007-70225-2](#) [00-054007-70227-6](#) [00-054007-70231-3](#) [00-054007-70241-2](#) [00-054007-70242-9](#) [00-054007-70244-3](#) [00-054007-70246-7](#) [00-054007-70263-4](#) [00-054007-70288-7](#) [00-054007-70290-0](#) [00-054007-70300-6](#) [00-054007-70304-4](#) [01-2065-1-0216](#) [01-2900-1-04412](#) [00581P0075](#) [600TS-10](#) [60205-1](#) [604200-1](#) [605601-1](#) [60598-1-CUT-TAPE](#) [61314-6-C](#) [61810-3](#) [61-S](#) [61-SN](#) [626-0194](#) [62-NBM-A](#) [62-SN](#) [62-SP](#) [63-S](#) [640179-1](#) [M55155/059I03](#) [M55155/079C01](#) [M55155/099H02](#) [M55155/109H01](#) [M55155/109H02](#) [M55155/12XH05](#) [M55155/16XH02](#)