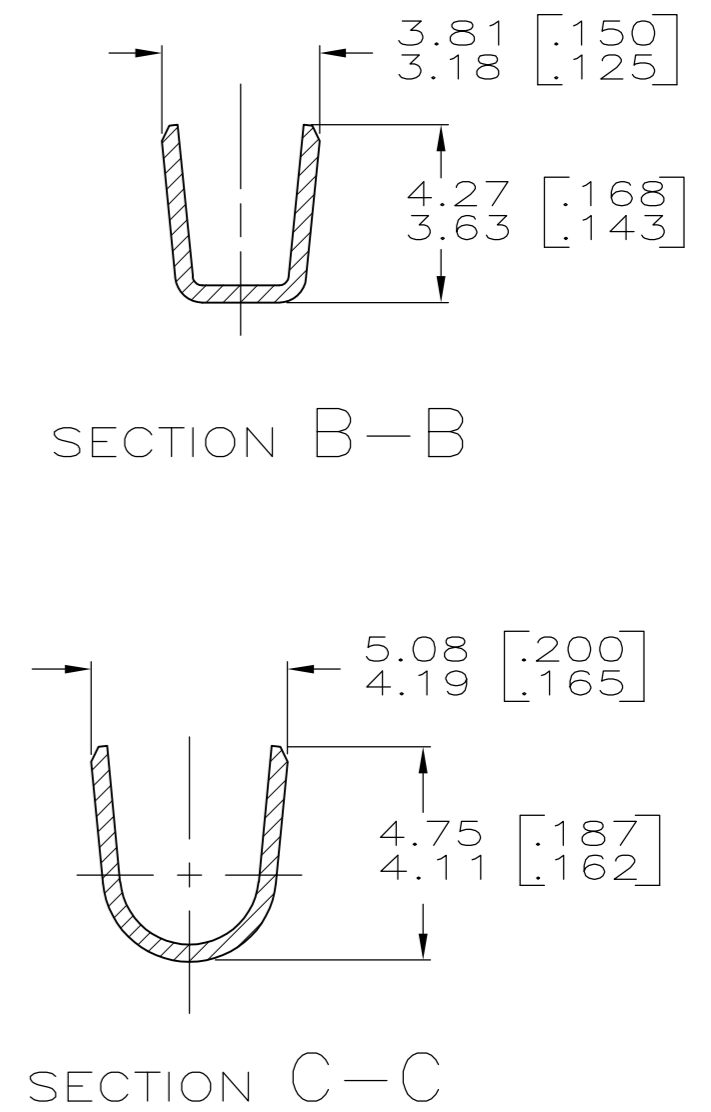
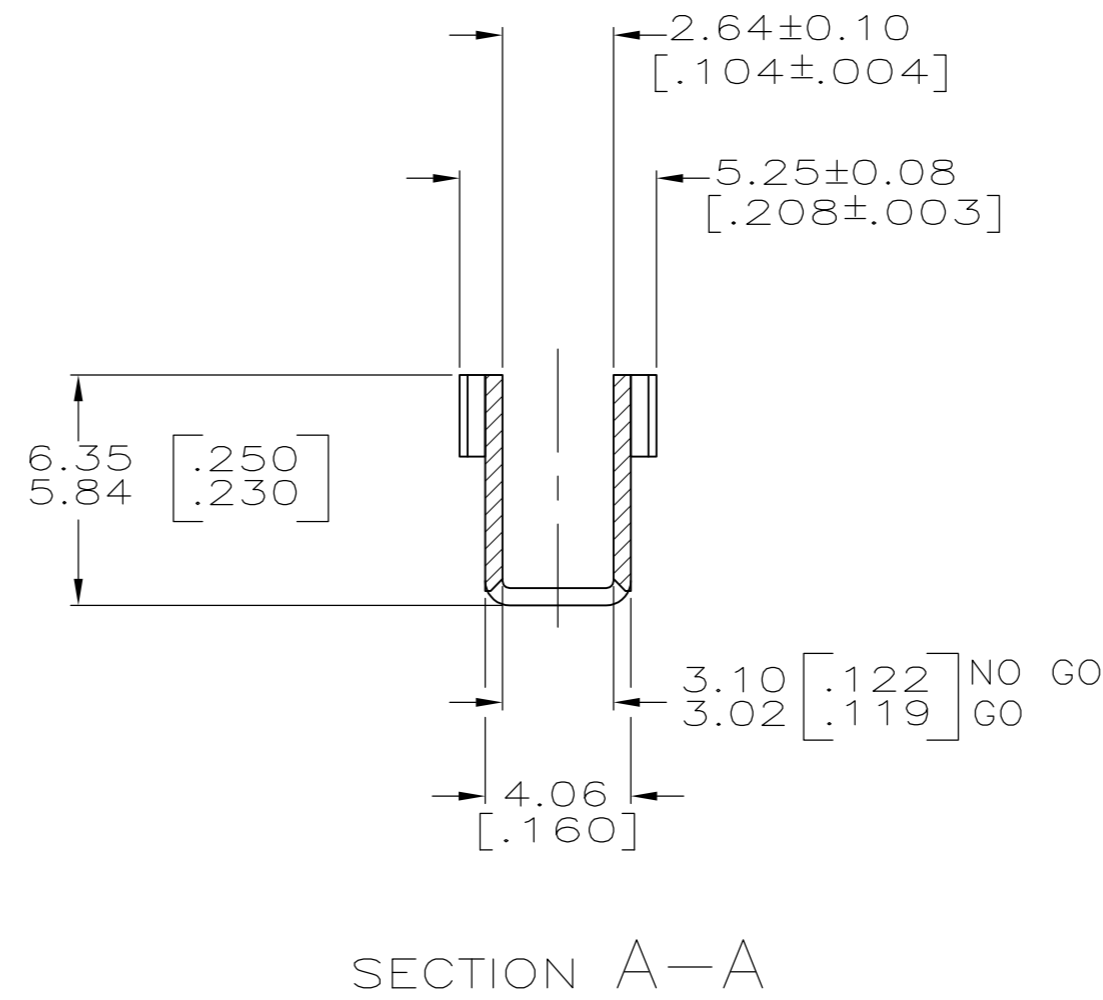
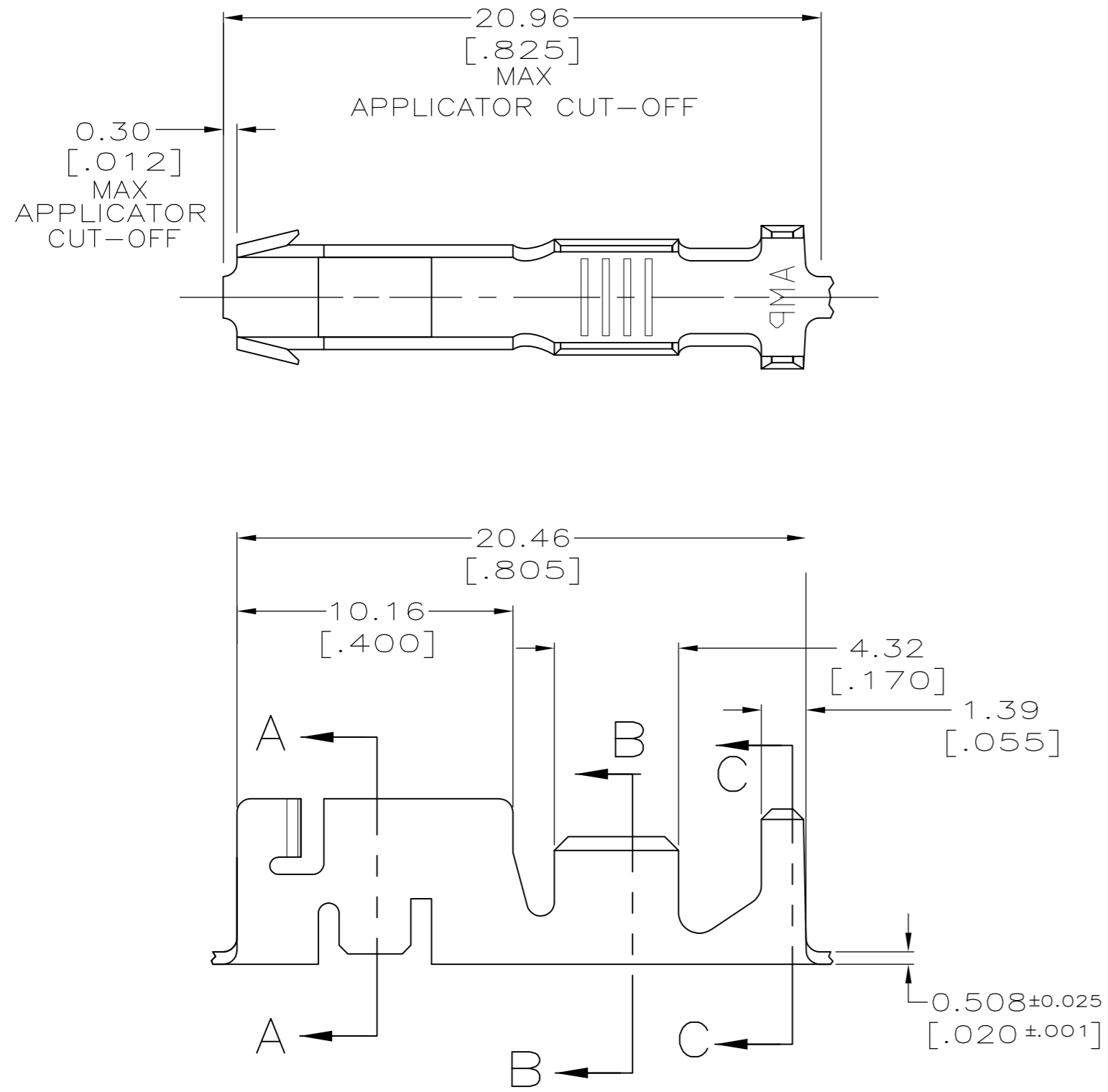


THIS DRAWING IS UNPUBLISHED. RELEASED FOR PUBLICATION  
 © COPYRIGHT - By - ALL RIGHTS RESERVED.

LOC		DIST		REVISIONS			
P	LTR	DESCRIPTION		DATE	DWN	APVD	
AF	50	G		REVISED PER ECR-12-016352	17NOV12	KH	GJ

- 1 CONTINUOUS STRIP ON REELS WITH TERMINALS LOCATED ON 22.61[.890] CENTERS
- 2 PRODUCT SPEC DOES NOT APPLY TO PART NUMBER 1217176-4.
- 3 PRELIMINARY - NOT FOR PRODUCTION.



NONE	H03 TIN-BRASS	3.30 [.130] MAX DIA	0.75-1.5mm <sup>2</sup> [#18-#16] AWG	1217176-5
POST TIN	H02 CU-FE, C19500	3.30 [.130] MAX DIA	0.75-1.5mm <sup>2</sup> [#18-#16] AWG	3 1217176-4
POST TIN	H03 TIN-BRASS	3.30 [.130] MAX DIA	0.75-1.5mm <sup>2</sup> [#18-#16] AWG	1217176-1
FINISH	MATERIAL	INSULATION RANGE	WIRE RANGE	PART NUMBER

F OR O	3.94 [.155]	6.22 [.245]	F	2.79 [.110]	2.01 [.079]	1.5mm <sup>2</sup> [16]	
TYPE	WIDTH	STRIP LENGTH ±0.38 [±.015]	TYPE	WIDTH	±0.051[.002] HEIGHT	WIRE	
INSUL BARREL CRIMP	WIRE BARREL CRIMP					1.85 [.073]	.75mm <sup>2</sup> [18]

THIS DRAWING IS A CONTROLLED DOCUMENT.

DWN MICHAEL S. FEHER 06JUL1999  
 CHK PETE DESANTIS 07JUL1999  
 APVD PETE DESANTIS 07JUL1999

TE Connectivity

RECEPTACLE, CLUSTER PIN, 3.18 [.125] DIA

PRODUCT SPEC 108-2008 2  
 APPLICATION SPEC 114-2019

SIZE A2 CAGE CODE 00779 DRAWING NO C=1217176 RESTRICTED TO -

MATERIAL SEE TABLE FINISH SEE TABLE WEIGHT - SCALE 5:1 SHEET 1 OF 1 REV G

CUSTOMER DRAWING

## X-ON Electronics

Largest Supplier of Electrical and Electronic Components

*Click to view similar products for [Headers & Wire Housings](#) category:*

*Click to view products by [TE Connectivity](#) manufacturer:*

Other Similar products are found below :

[892-18-020-10-001101](#) [58102-G61-06LF](#) [582553-1](#) [0009485154](#) [009176003701906](#) [0050291907](#) [LY20-4P-DT1-P1E-BR](#) [02.125.8002.8](#)  
[609-3404](#) [61062-3](#) [61082-181009](#) [622-3653LF](#) [63453-116](#) [636-1030](#) [636-1427](#) [636-3427](#) [636-4007](#) [641938-9](#) [641991-4](#) [644827-2](#) [65817-](#)  
[010LF](#) [65817-015LF](#) [65863-015LF](#) [66207-023LF](#) [67095-007LF](#) [67601157](#) [68645-018](#) [68648-049](#) [70.362.1628.0](#) [70-4210](#) [70-4226B](#) [70-](#)  
[4853B](#) [707-5020](#) [707-5028](#) [71.350.2428.0](#) [71918-208LF](#) [71961-016LF](#) [733-134](#) [733-162](#) [754199-000](#) [760-3052](#) [787-8014-00](#) [79531-3000](#)  
[FCN-360C032-B](#) [FCN-367T-T012/H](#) [FCN-723D010/2](#) [80.063.4001.1](#) [800-90-001-10-001000](#) [800-90-010-10-002000](#) [801-43-002-10-013000](#)