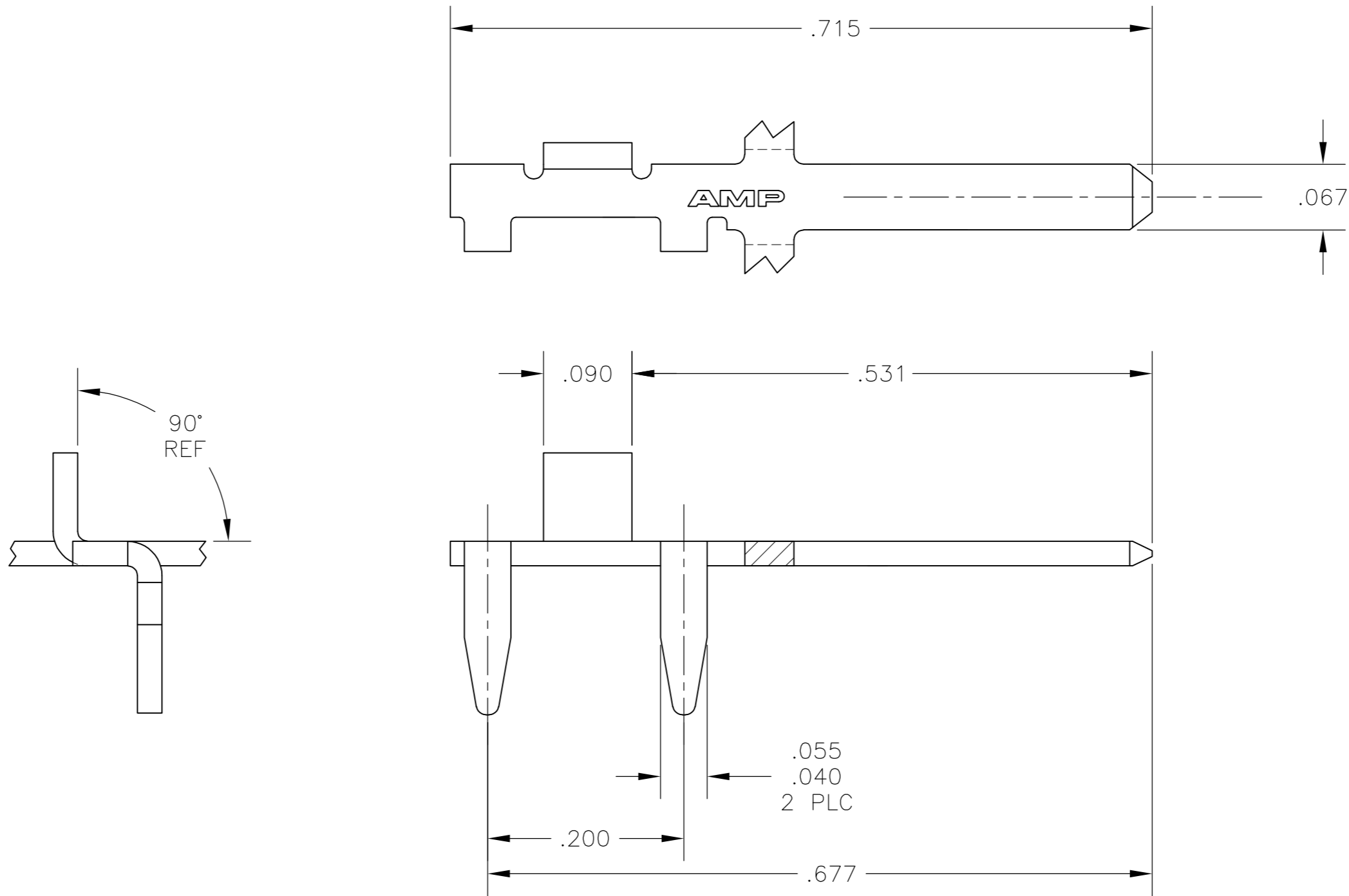


THIS DRAWING IS UNPUBLISHED. RELEASED FOR PUBLICATION
 © COPYRIGHT - By - ALL RIGHTS RESERVED.

| REVISIONS | | | | |
|-----------|-----|---------------------------|-----------|-------|
| P | LTR | DESCRIPTION | DATE | APVD |
| C1 | | REVISED PER ECR-17-000551 | 16JAN2017 | RS TD |

1.CONTINUS STRIP ON REELS



| | | | |
|----------|-------------------------|----------|-------------|
| OBSOLETE | - | BRASS | 1217183-2 |
| | TIN OVER NICKEL PLATING | BRASS | 1217183-1 |
| | FINISH | MATERIAL | PART NUMBER |

| | | | | | | | | | |
|---|--|--------------|----------|------------------|------|-----------------|------------|---------------|--|
| THIS DRAWING IS A CONTROLLED DOCUMENT. | | DWN | RAVI S | 17NOV2016 | | TE Connectivity | | | |
| DIMENSIONS: INCHES | | CHK | LI DAISY | 17NOV2016 | | NAME | | | |
| TOLERANCES UNLESS OTHERWISE SPECIFIED: | | APVD | DING TIM | 17NOV2016 | | TAB,SPECIAL | | | |
| 0 PLC ± - 1 PLC ± - 2 PLC ± - 3 PLC ± .015 4 PLC ± - ANGLES ± 1° | | PRODUCT SPEC | | APPLICATION SPEC | | RESTRICTED TO | | | |
| MATERIAL | | FINISH | | WEIGHT | SIZE | CAGE CODE | DRAWING NO | RESTRICTED TO | |
| - | | - | | - | A2 | 00779 | C=1217183 | - | |
| CUSTOMER DRAWING | | | | SCALE | 8:1 | SHEET | 1 of 1 | REV | |
| | | | | | | | | C1 | |

X-ON Electronics

Largest Supplier of Electrical and Electronic Components

Click to view similar products for [Terminals](#) category:

Click to view products by [TE Connectivity](#) manufacturer:

Other Similar products are found below :

[HT-13-10](#) [71M-250-32-NB](#) [01-2065-1-0216](#) [00581P0075](#) [M10-10RX](#) [M10BCK](#) [60205-1](#) [604200-1](#) [60598-1-CUT-TAPE](#) [60617-1-C](#) [60873-1](#) [M14-516R/SK](#) [M14-6RSX](#) [M18-8FBX](#) [M18-8R/LX](#) [M18BCK](#) [61314-6-C](#) [61-S](#) [61-SN-A](#) [62-NBM-A](#) [63-S](#) [640179-1](#) [640917-2-CUT-TAPE](#) [6501550002](#) [66107-2-C](#) [696683-1](#) [696834-1](#) [696861-1](#) [696931-1](#) [696999-1](#) [M8-516RK](#) [M86700006](#) [MA250DMFMX-A](#) [701-2007](#) [701-2307](#) [701-7761-03](#) [70F-110-32-PB](#) [718-N-A](#) [71M-187-20-NBL](#) [71M-250-32-NBL](#) [72F-187-20-NBL](#) [72M-250-32-NBL](#) [7310](#) [73F-250-32](#) [73F-250-32-NL](#) [F14-10C](#) [F-1M](#) [751-250](#) [76650-5002](#) [76828-149](#)