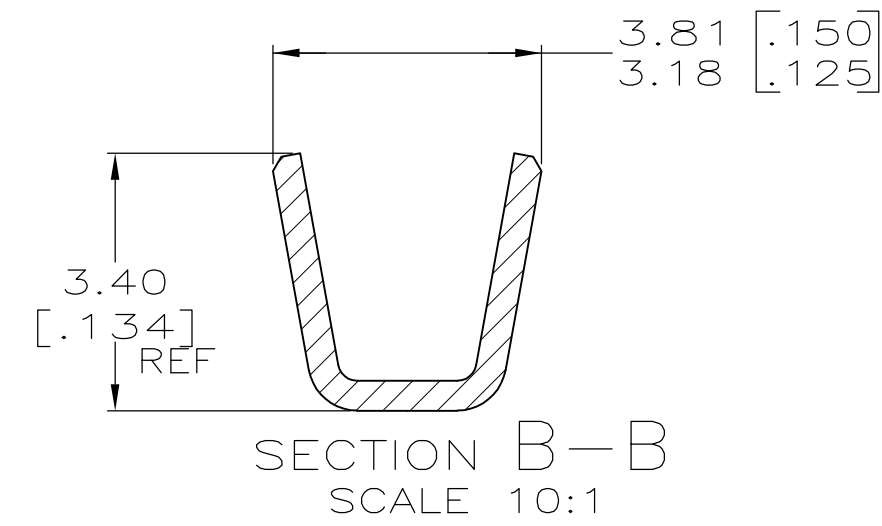
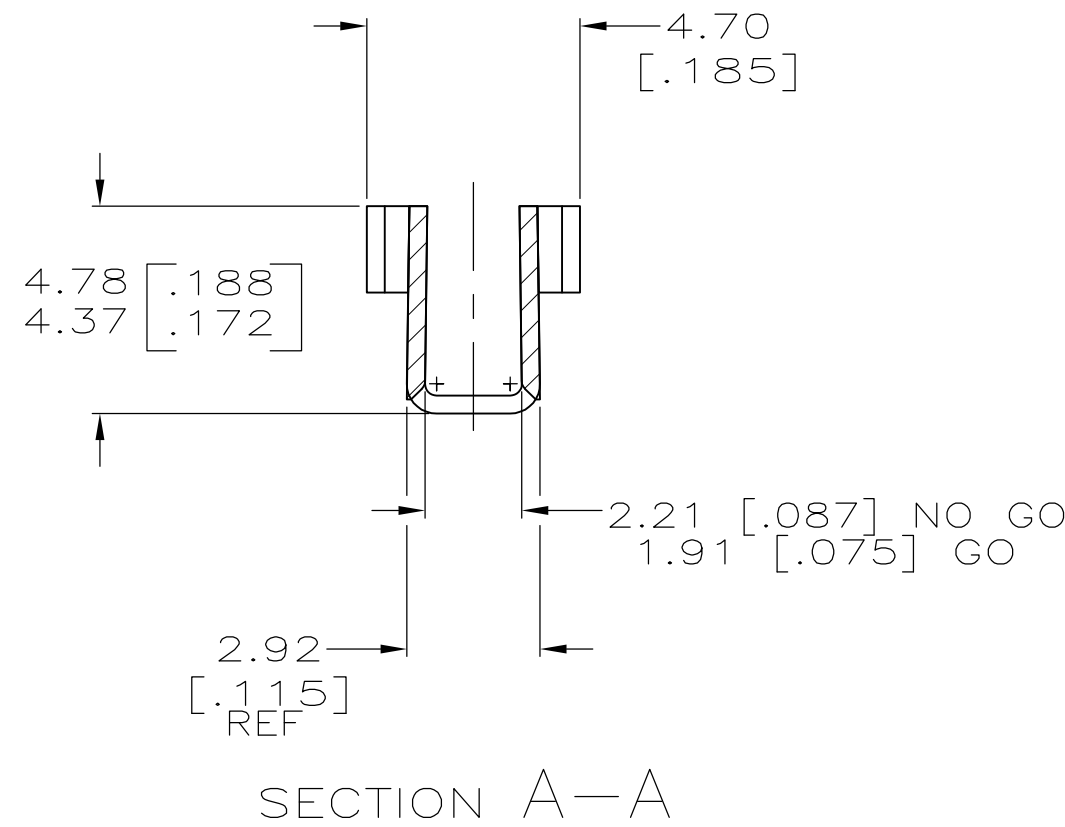
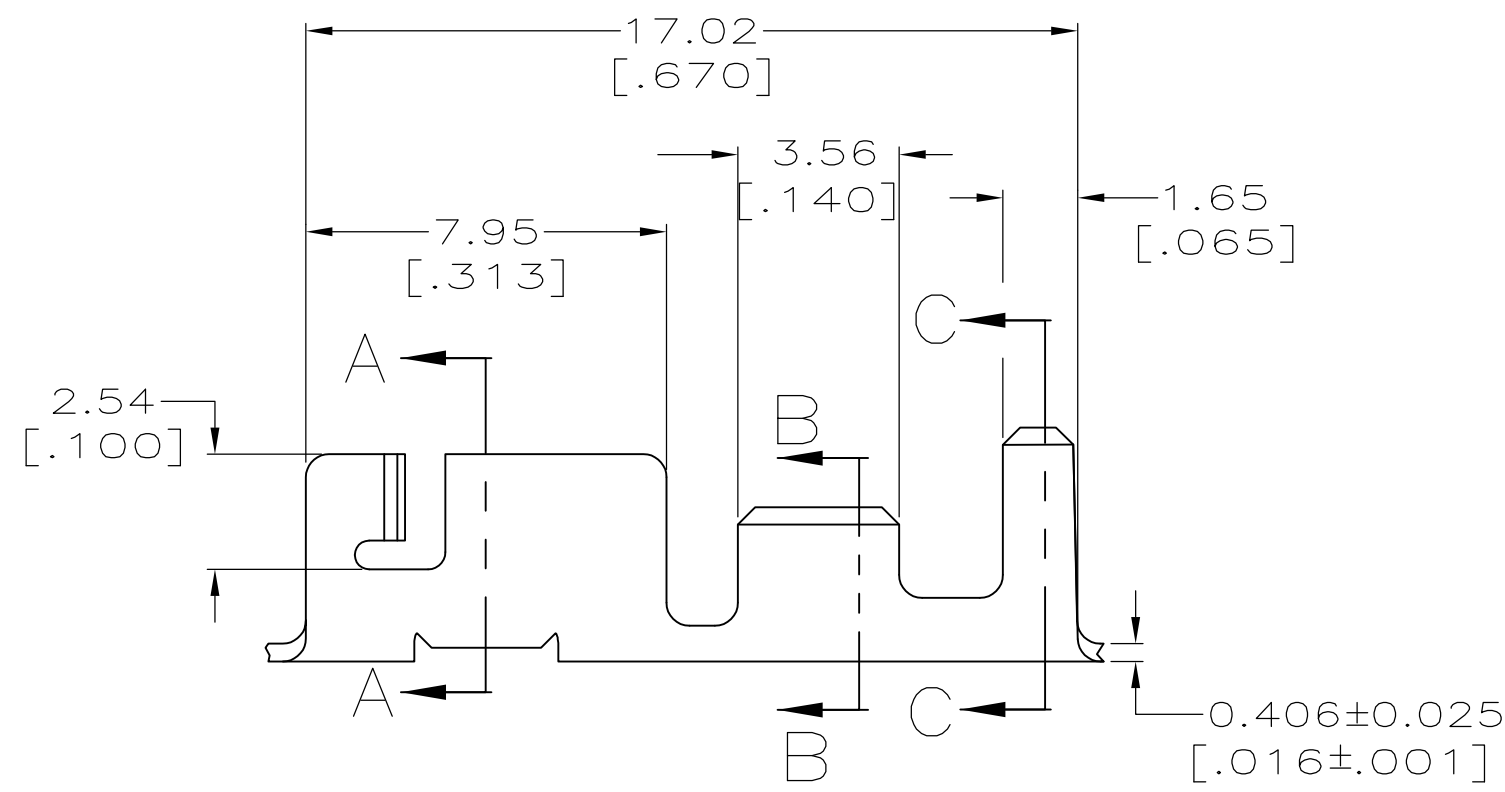
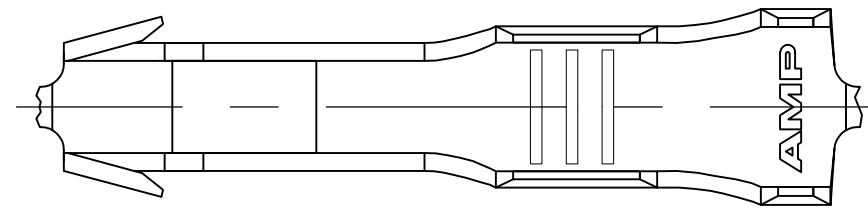


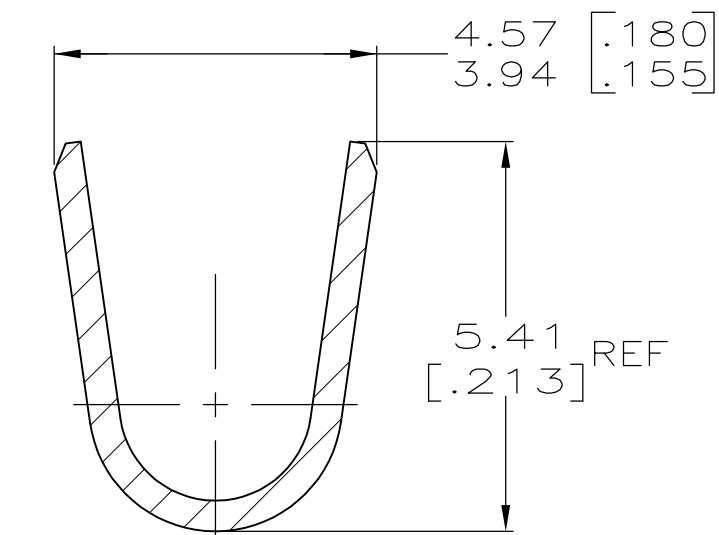
THIS DRAWING IS UNPUBLISHED. RELEASED FOR PUBLICATION
 © COPYRIGHT - By - ALL RIGHTS RESERVED.

LOC		DIST		REVISIONS			
P	LTR	DESCRIPTION		DATE	DWN	APVD	
AF	50	E		REVISED PER ECR-12-016352	16NOV12	KH	GJ

- 1 CONTINUOUS STRIP ON REELS WITH TERMINALS LOCATED ON 18.67±0.08 [.735±.003] CENTERS.
- 2 PRODUCT SPEC DOES NOT APPLY TO PART NUMBER 1217264-2.
- △ PRELIMINARY - NOT FOR PRODUCTION.



SECTION B-B
SCALE 10:1



SECTION C-C
SCALE 10:1

TYPE	WIDTH	STRIP LENGTH ±0.38 ±0.15	TYPE	WIDTH	±.051 ±.002 HEIGHT	WIRE
F OR O	3.3 [.130]	4.37 [.172]	F	2.54 [.100]	1.30 [.05]	0.35 mm ² [22]
					1.35 [.053]	0.5 mm ² [20]
					1.45 [.057]	0.75 mm ² [18]
					1.63 [.064]	1.5 mm ² [16]
					1.85 [.073]	2.0 mm ² [14]
INSUL BARREL CRIMP	WIRE BARREL CRIMP					

H02 CU-FE, C19500	2.03-3.81 [.080-.150] DIA	#22-#14 AWG	△ 1217264-2
H03 TIN-BRASS	2.03-3.81 [.080-.150] DIA	#22-#14 AWG	1217264-1
MATERIAL	INSULATION RANGE	WIRE BARREL	PART NUMBER

THIS DRAWING IS A CONTROLLED DOCUMENT.		DWN 09NOV1999 MICHAEL S. FEHER	STE TE Connectivity	
		CHK 12NOV1999 PETE DESANTIS		
DIMENSIONS: mm [INCHES]		APVD 12NOV1999 ALEX HUNT III	NAME RECEPTACLE, CLUSTER PIN, 2.29 [.090] DIA	
TOLERANCES UNLESS OTHERWISE SPECIFIED:		PRODUCT SPEC 108-2008 △ 2	RESTRICTED TO	
0 PLC ± -		APPLICATION SPEC 114-2019	SIZE A2	CAGE CODE 00779
1 PLC ± -		WEIGHT -	DRAWING NO C=1217264	SCALE 6:1
2 PLC ± 0.25[.010]		FINISH POST TIN	SHEET 1 of 1	REV E
3 PLC ± -		CUSTOMER DRAWING		
4 PLC ± -				
ANGLES ± -				

X-ON Electronics

Largest Supplier of Electrical and Electronic Components

Click to view similar products for [Headers & Wire Housings](#) category:

Click to view products by [TE Connectivity](#) manufacturer:

Other Similar products are found below :

[892-18-020-10-001101](#) [58102-G61-06LF](#) [582553-1](#) [0009485154](#) [009176003701906](#) [0050291907](#) [LY20-4P-DT1-P1E-BR](#) [02.125.8002.8](#)
[609-3404](#) [61062-3](#) [61082-181009](#) [622-3653LF](#) [63453-116](#) [636-1030](#) [636-1427](#) [636-3427](#) [636-4007](#) [641938-9](#) [641991-4](#) [644827-2](#) [65817-](#)
[010LF](#) [65817-015LF](#) [65863-015LF](#) [66207-023LF](#) [67095-007LF](#) [67601157](#) [68645-018](#) [68648-049](#) [70.362.1628.0](#) [70-4210](#) [70-4226B](#) [70-](#)
[4853B](#) [707-5020](#) [707-5028](#) [71.350.2428.0](#) [71918-208LF](#) [71961-016LF](#) [733-134](#) [733-162](#) [754199-000](#) [760-3052](#) [787-8014-00](#) [79531-3000](#)
[FCN-360C032-B](#) [FCN-367T-T012/H](#) [FCN-723D010/2](#) [80.063.4001.1](#) [800-90-001-10-001000](#) [800-90-010-10-002000](#) [801-43-002-10-013000](#)