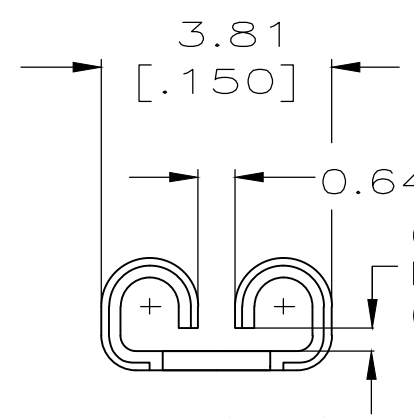
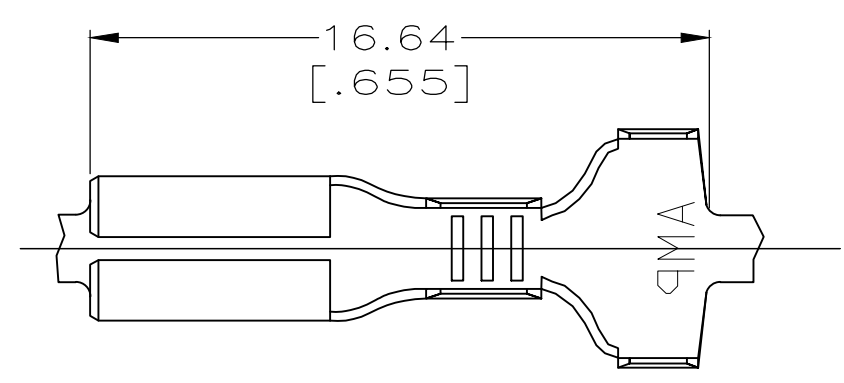


THIS DRAWING IS UNPUBLISHED. RELEASED FOR PUBLICATION  
 © COPYRIGHT - By - ALL RIGHTS RESERVED.

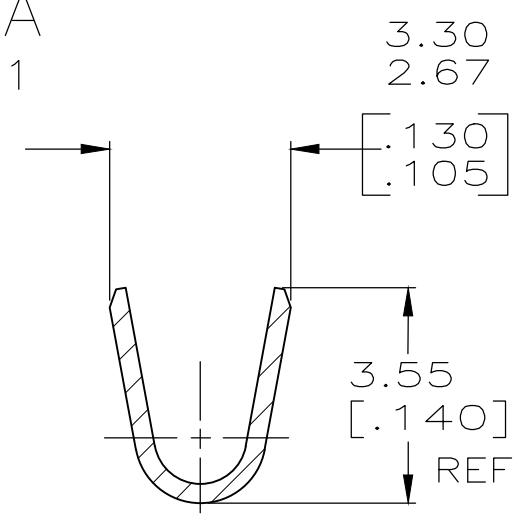
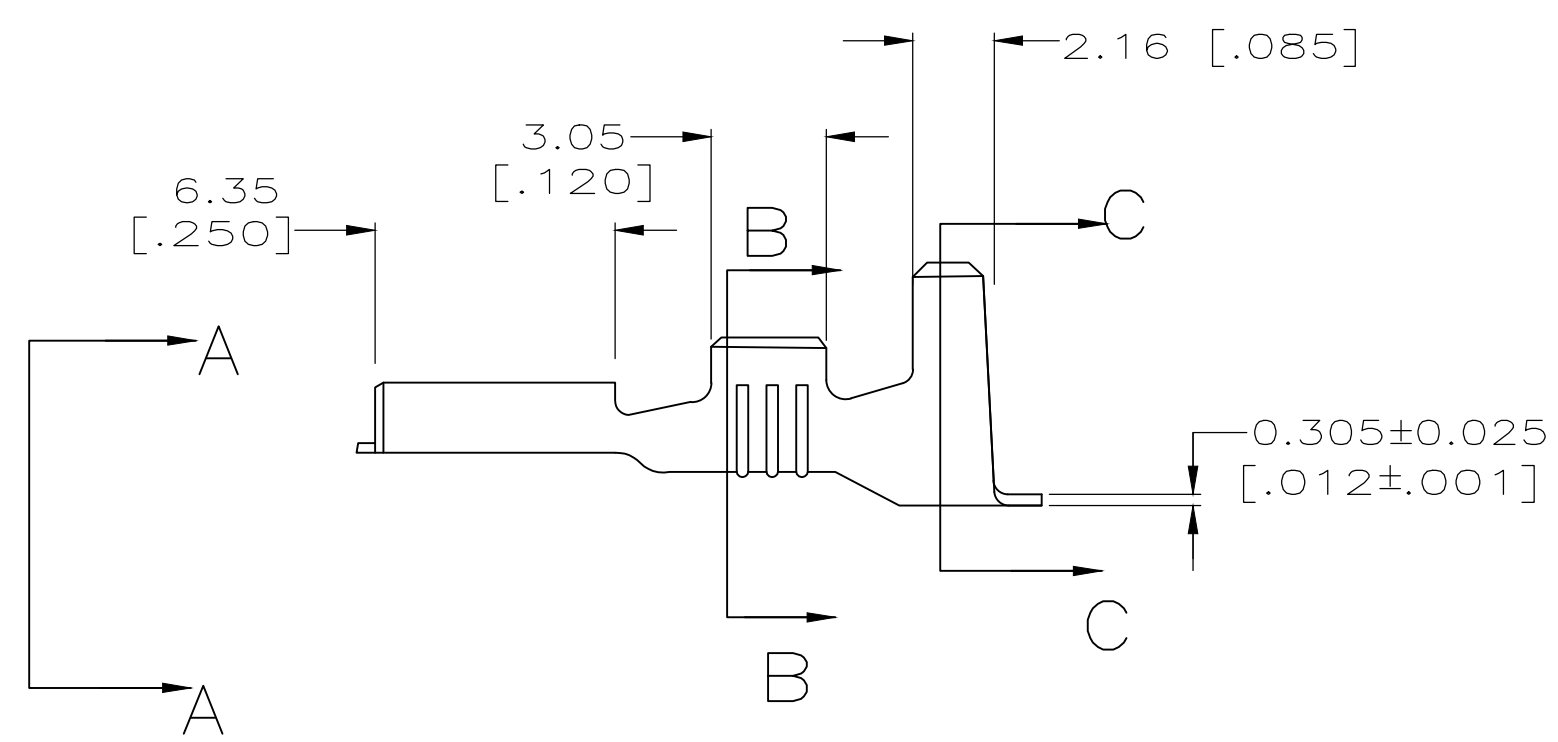
LOC	DIST	REVISIONS			
P	LTR	DESCRIPTION	DATE	DWN	APVD
AF	50	E1	REVISED PER ECR-20-009164	23JUL2020	MK DH

- CONTINUOUS STRIP ON REELS.
- ACCEPTS TWO #18'S AWG, OR #18-#16 AWG.
- INSULATION RANGE IS 2.79-4.32 [.110-.170] DIA OR TWO AT 2.79 [.110] MAX DIA. WIRES TO BE STACKED
- MATING TAB THK TO BE 0.53-0.48 [.021-.019].

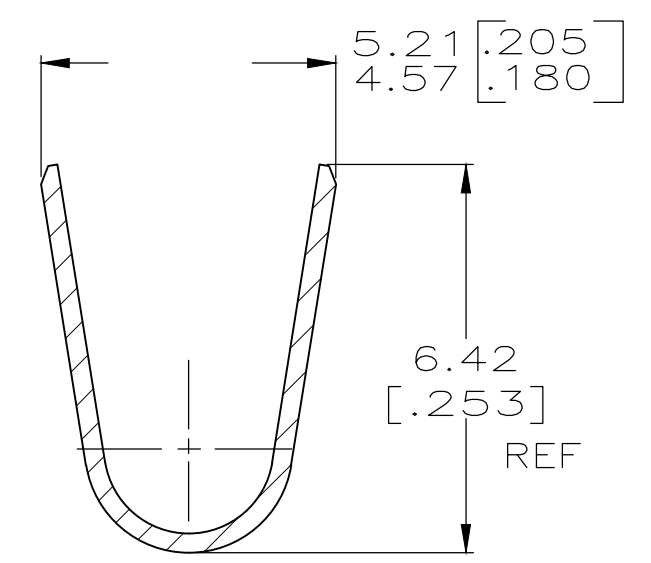


GAP AS REQUIRED TO MEET FORCE SPECIFICATIONS AND 0.45 [.018] MAX

VIEW A-A  
SCALE 8:1



SECTION B-B  
SCALE 8:1



SECTION C-C  
SCALE 8:1

TIN	1217345-2
-	1217345-1
FINISH	PART NO.

THIS DRAWING IS A CONTROLLED DOCUMENT.		DWN	JR RUTH	22FEB00	TE Connectivity RECEPTACLE, FASTON, 2.79 [.110] SERIES								
DIMENSIONS: mm [INCHES]		CHK	MS FEHER	22FEB00									
TOLERANCES UNLESS OTHERWISE SPECIFIED:		APVD	P DESANTIS	23FEB00									
0 PLC ± - 1 PLC ± - 2 PLC ± 0.38 [.015] 3 PLC ± - 4 PLC ± - ANGLES ± -		PRODUCT SPEC	-	NAME									
MATERIAL	BRASS	FINISH	SEE TABLE	APPLICATION SPEC	114-2036	SIZE	A3	CAGE CODE	00779	DRAWING NO	C-1217345	RESTRICTED TO	-
CUSTOMER DRAWING					WEIGHT	-	SCALE	5:1	SHEET	1 OF 1	REV	E1	

## X-ON Electronics

Largest Supplier of Electrical and Electronic Components

*Click to view similar products for [Terminals](#) category:*

*Click to view products by [TE Connectivity](#) manufacturer:*

Other Similar products are found below :

[00-054007-01074-6](#) [00-054007-70206-1](#) [00-054007-70210-8](#) [00-054007-70217-7](#) [00-054007-70226-9](#) [00-054007-70228-3](#) [00-054007-70248-1](#) [00-054007-70256-6](#) [00-054007-70301-3](#) [00-054007-70316-7](#) [0-0320562-0](#) [00-054007-49560-4](#) [00-054007-70209-2](#) [00-054007-70225-2](#) [00-054007-70227-6](#) [00-054007-70231-3](#) [00-054007-70241-2](#) [00-054007-70242-9](#) [00-054007-70244-3](#) [00-054007-70246-7](#) [00-054007-70263-4](#) [00-054007-70288-7](#) [00-054007-70290-0](#) [00-054007-70300-6](#) [00-054007-70304-4](#) [01-2065-1-0216](#) [01-2900-1-04412](#) [00581P0075](#) [600TS-10](#) [60205-1](#) [604200-1](#) [605601-1](#) [60598-1-CUT-TAPE](#) [61314-6-C](#) [61810-3](#) [61-S](#) [61-SN](#) [626-0194](#) [62-NBM-A](#) [62-SN](#) [62-SP](#) [63-S](#) [640179-1](#) [M55155/059I03](#) [M55155/079C01](#) [M55155/099H02](#) [M55155/109H01](#) [M55155/109H02](#) [M55155/12XH05](#) [M55155/16XH02](#)