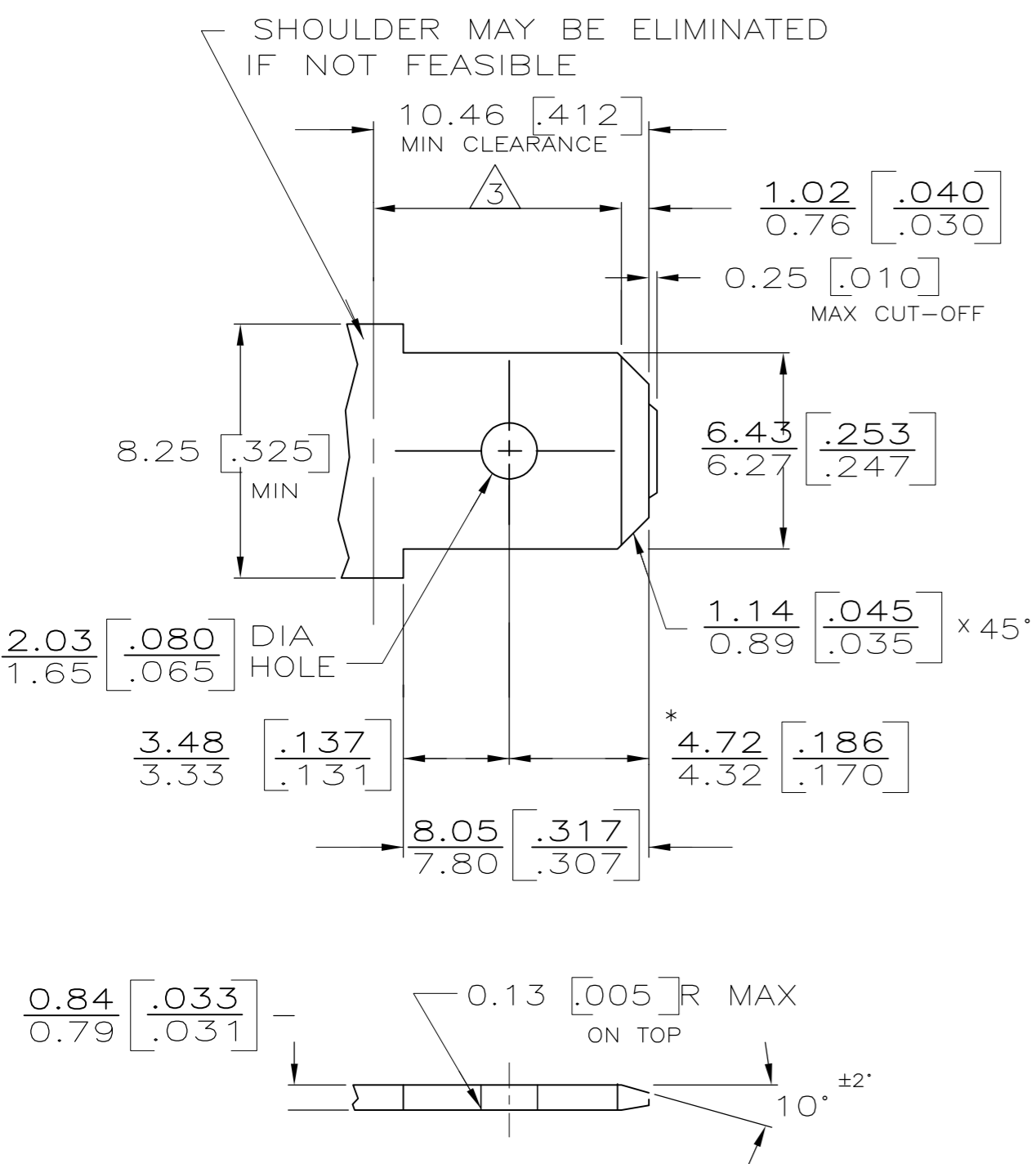
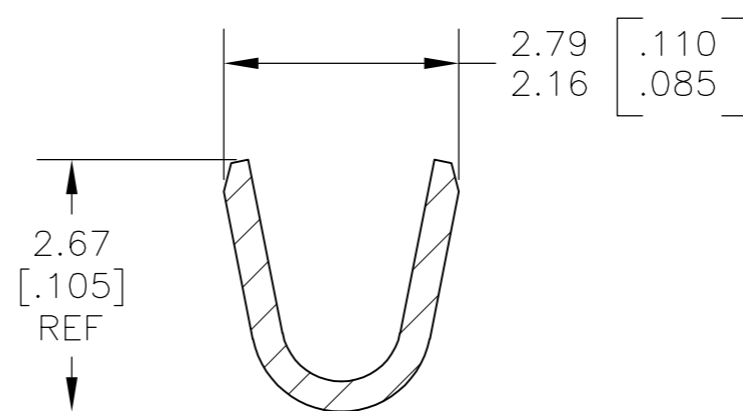
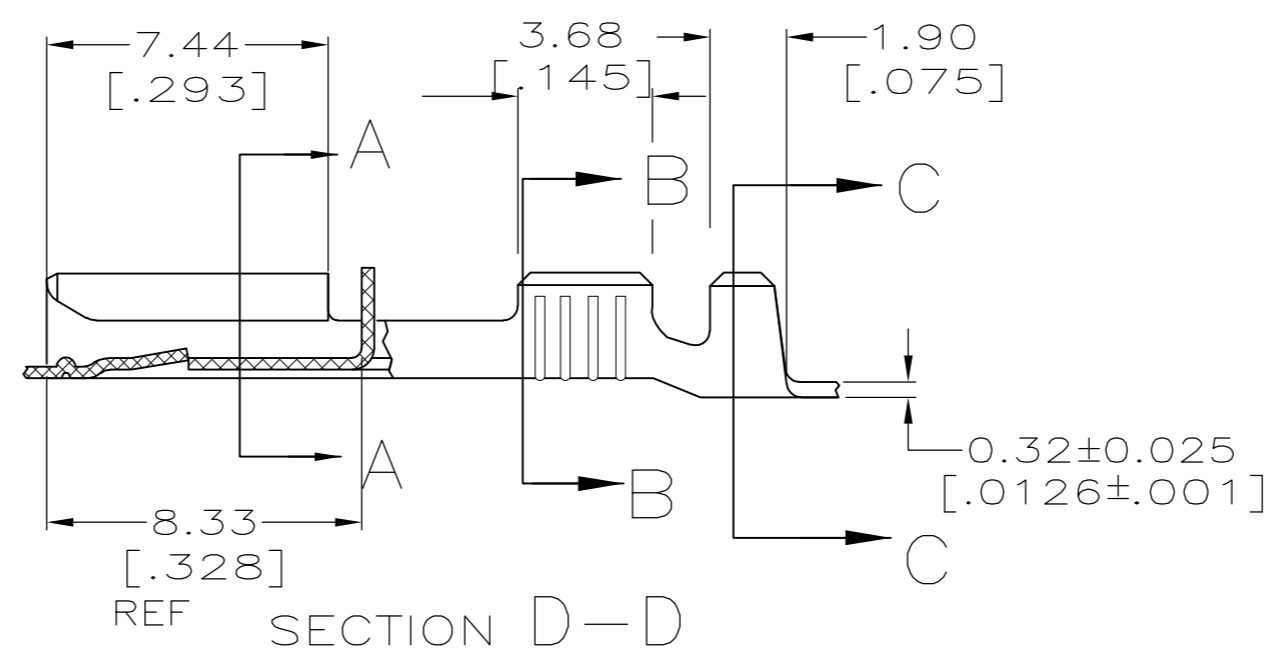
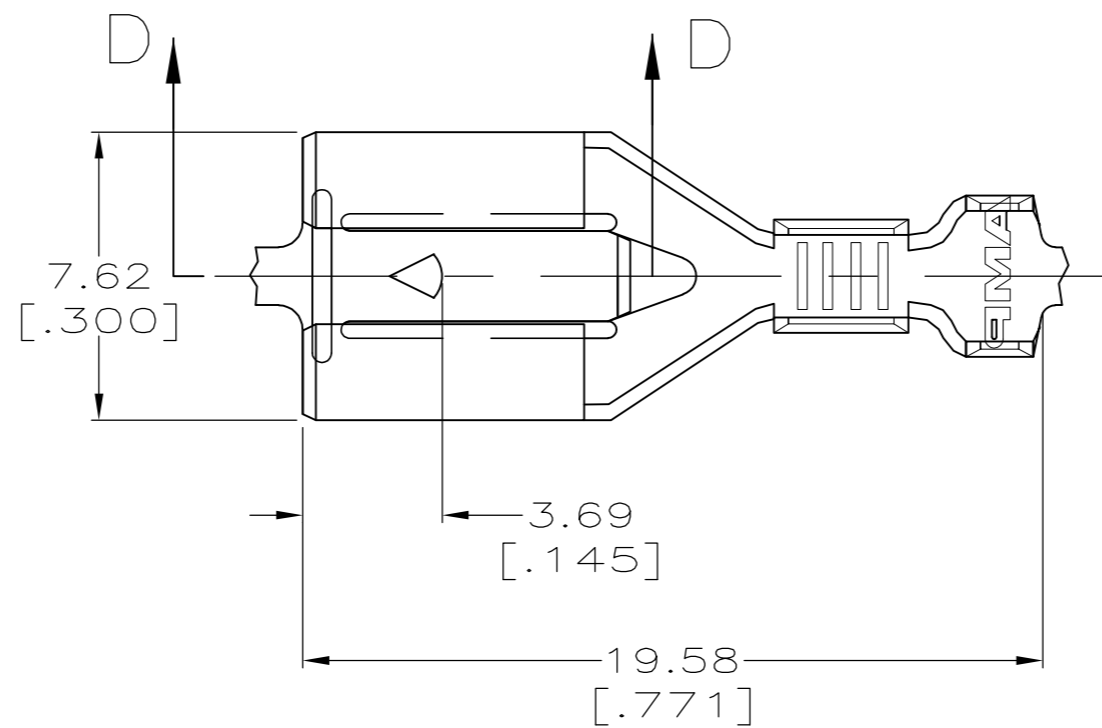


LOC		DIST		REVISIONS			
P	LTR	DESCRIPTION		DATE	DWN	APVD	
AF	50	A3	REVISED PER ECR-07-018125	03AUG07	JR	RL	

# SUGGESTED MATING TAB

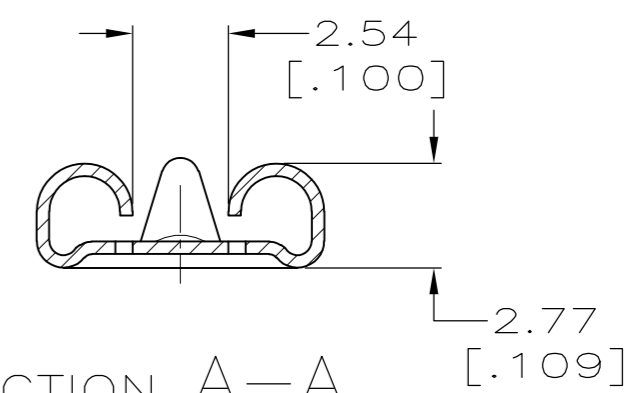


- 1 - MATL: 1/2H BRASS OR NICKEL PL STEEL.
  - 2 - NO BURRS PERMISSIBLE AT HOLE.
  - 3 - MUST BE FLAT WITHIN 0.076 [.003] OVER THIS LENGTH.
  - 4 - TIN PLATING IS REQUIRED ON BRASS WHEN TERMINAL TEMP. IS OVER 225°F.
  - 5 - HOLE MUST BE SYMMETRICAL ABOUT TAB Q WITHIN 0.076 [.003]
- \* TO BE USED ONLY WHEN SHOULDER IS ELIMINATED.

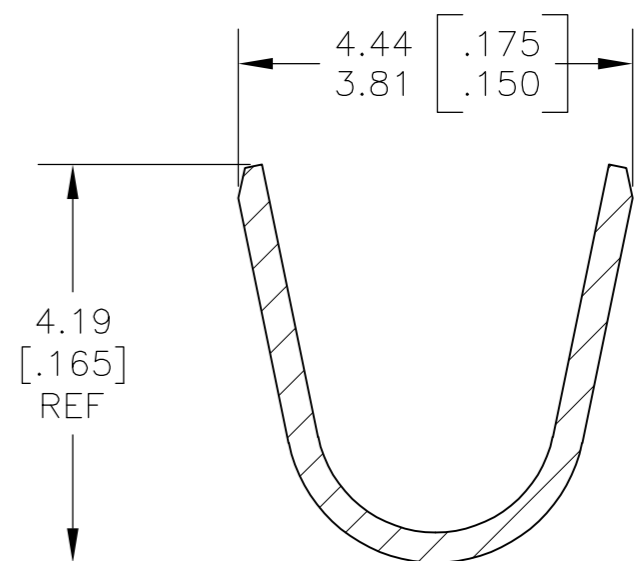


SECTION B-B  
SCALE 10:1

- 1 CONTINUOUS STRIP ON REELS.
- 2 ACCEPTS #22-#18 AWG WIRE SIZES. WIRE CRIMP: .080 F TYPE
- 3 INSULATION RANGE IS 1.52-2.79 [.060-.110] DIA. INSULATION CRIMP: .130 F TYPE



SECTION A-A



SECTION C-C  
SCALE 10:1

0.00381[.000150] MIN SILVER PLATE	1217378-3
0.002032[.000080] MIN TIN PLATE	1217378-2
-	1217378-1
FINISH	PART NUMBER

THIS DRAWING IS A CONTROLLED DOCUMENT.		DWN	JR RUTH	30MAR00	Tyco Electronics Corporation Harrisburg, PA 17105-3608	
DIMENSIONS: INCHES		CHK	MS FEHER	30MAR00	NAME	
TOLERANCES UNLESS OTHERWISE SPECIFIED:		APVD	-	-	RECEPTACLE, POSITIVE LOCK, 6.35 [.250] SERIES	
0 PLC ± -		PRODUCT SPEC	-	-	SIZE	CAGE CODE
1 PLC ± -		APPLICATION SPEC	114-2074	-	A2	00779
2 PLC ± 0.25 [.010]		WEIGHT	-	-	DRAWING NO	1217378
3 PLC ± -		CUSTOMER DRAWING	-	-	SCALE	5:1
4 PLC ± -		MATERIAL	H06 BRASS	SEE TABLE	SHEET	1 of 1
ANGLES ± -		FINISH	-	-	REV	A3
FINISH		RESTRICTED TO				

## X-ON Electronics

Largest Supplier of Electrical and Electronic Components

*Click to view similar products for [Terminals](#) category:*

*Click to view products by [TE Connectivity](#) manufacturer:*

Other Similar products are found below :

[00-054007-01074-6](#) [00-054007-70206-1](#) [00-054007-70210-8](#) [00-054007-70217-7](#) [00-054007-70226-9](#) [00-054007-70228-3](#) [00-054007-70248-1](#) [00-054007-70256-6](#) [00-054007-70301-3](#) [00-054007-70316-7](#) [0-0320562-0](#) [00-054007-49560-4](#) [00-054007-70209-2](#) [00-054007-70225-2](#) [00-054007-70227-6](#) [00-054007-70231-3](#) [00-054007-70241-2](#) [00-054007-70242-9](#) [00-054007-70244-3](#) [00-054007-70246-7](#) [00-054007-70263-4](#) [00-054007-70288-7](#) [00-054007-70290-0](#) [00-054007-70300-6](#) [00-054007-70304-4](#) [01-2065-1-0216](#) [01-2900-1-04412](#) [00581P0075](#) [600TS-10](#) [60205-1](#) [604200-1](#) [605601-1](#) [60598-1-CUT-TAPE](#) [61314-6-C](#) [61810-3](#) [61-S](#) [61-SN](#) [626-0194](#) [62-NBM-A](#) [62-SN](#) [62-SP](#) [63-S](#) [640179-1](#) [M55155/059I03](#) [M55155/079C01](#) [M55155/099H02](#) [M55155/109H01](#) [M55155/109H02](#) [M55155/12XH05](#) [M55155/16XH02](#)