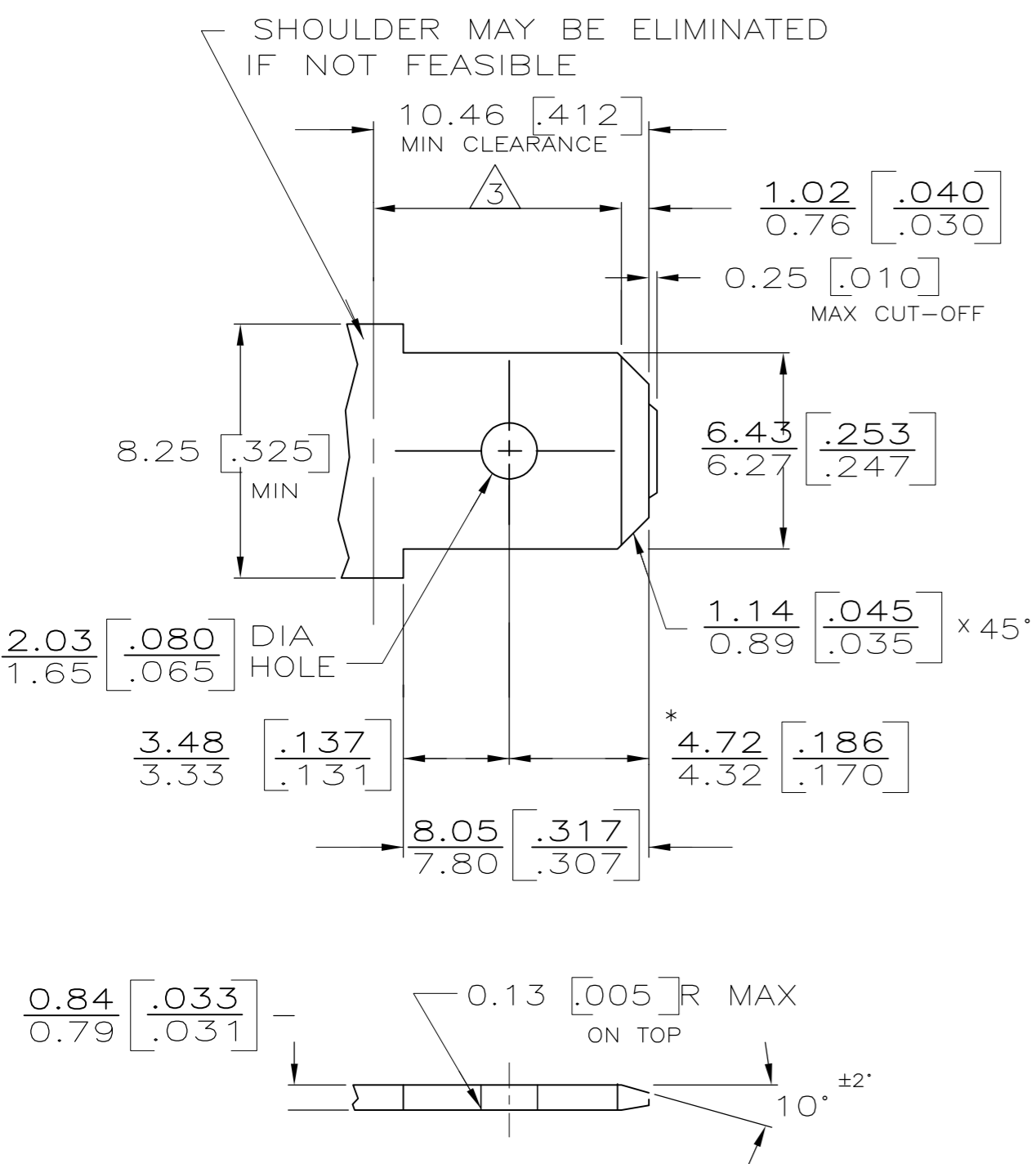
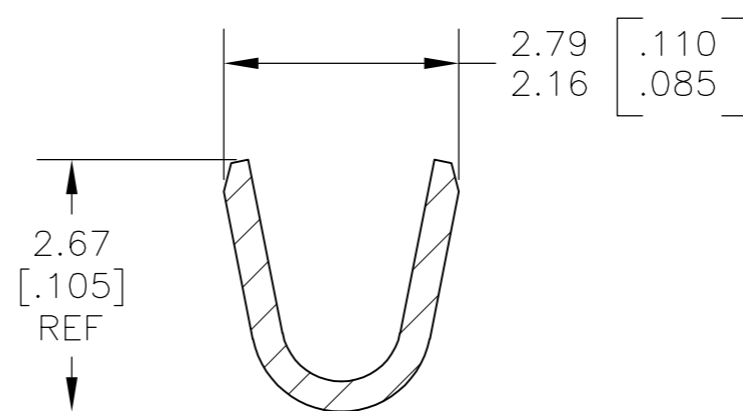
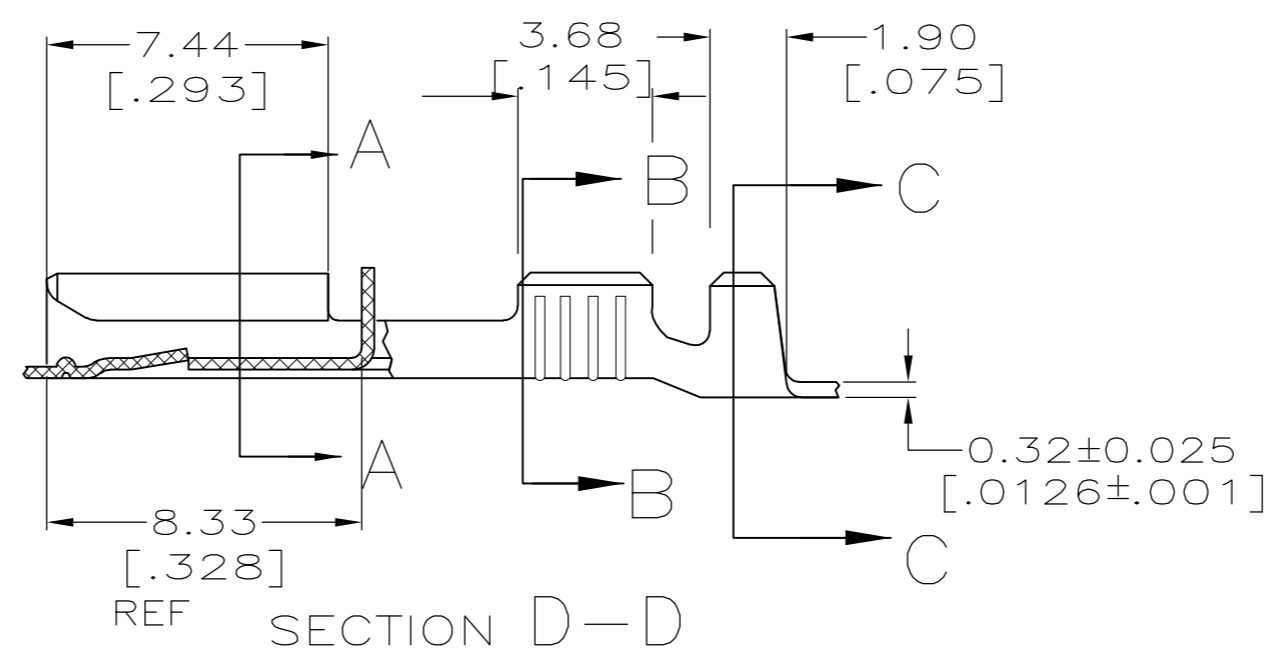
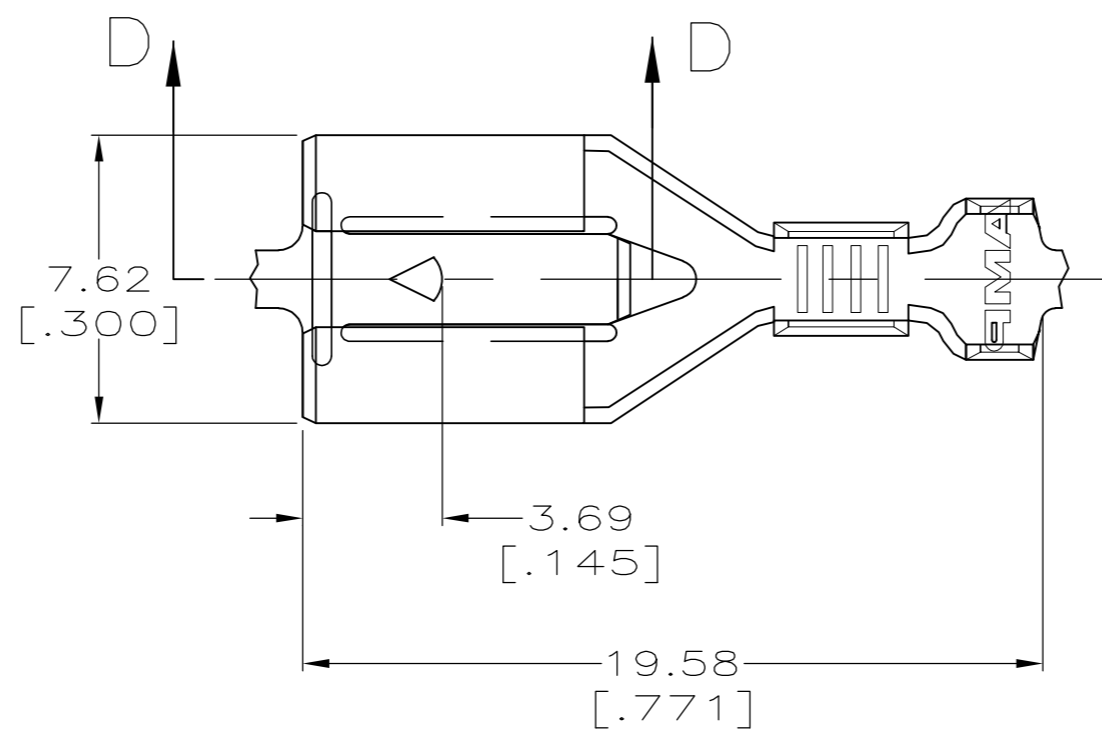


| LOC | | DIST | | REVISIONS | | | |
|-----|-----|-------------|---------------------------|-----------|-----|------|--|
| P | LTR | DESCRIPTION | | DATE | DWN | APVD | |
| AF | 50 | A3 | REVISED PER ECR-07-018125 | 03AUG07 | JR | RL | |

SUGGESTED MATING TAB

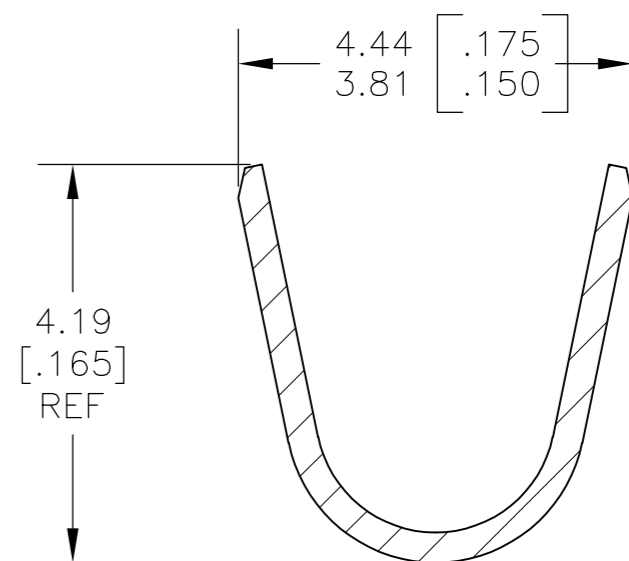
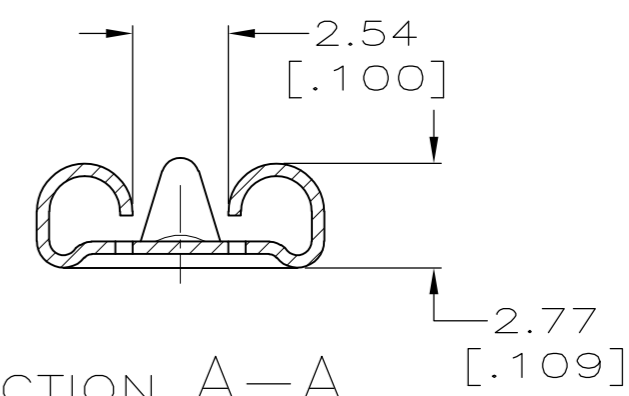


- 1 - MATL: 1/2H BRASS OR NICKEL PL STEEL.
 - 2 - NO BURRS PERMISSIBLE AT HOLE.
 - 3 - MUST BE FLAT WITHIN 0.076 [.003] OVER THIS LENGTH.
 - 4 - TIN PLATING IS REQUIRED ON BRASS WHEN TERMINAL TEMP. IS OVER 225°F.
 - 5 - HOLE MUST BE SYMMETRICAL ABOUT TAB Q WITHIN 0.076 [.003]
- * TO BE USED ONLY WHEN SHOULDER IS ELIMINATED.



SCALE 10:1

- 1 CONTINUOUS STRIP ON REELS.
- 2 ACCEPTS #22-#18 AWG WIRE SIZES. WIRE CRIMP: .080 F TYPE
- 3 INSULATION RANGE IS 1.52-2.79 [.060-.110] DIA. INSULATION CRIMP: .130 F TYPE



SCALE 10:1

| | |
|-----------------------------------|-------------|
| 0.00381[.000150] MIN SILVER PLATE | 1217378-3 |
| 0.002032[.000080] MIN TIN PLATE | 1217378-2 |
| - | 1217378-1 |
| FINISH | PART NUMBER |

| | | | | | | |
|--|--|------------------|-----------|-----------|---|-----------|
| THIS DRAWING IS A CONTROLLED DOCUMENT. | | DWN | JR RUTH | 30MAR00 | Tyco Electronics Corporation Harrisburg, PA 17105-3608 | |
| DIMENSIONS: INCHES | | CHK | MS FEHER | 30MAR00 | NAME | |
| TOLERANCES UNLESS OTHERWISE SPECIFIED: | | APVD | - | - | RECEPTACLE, POSITIVE LOCK, 6.35 [.250] SERIES | |
| 0 PLC ± - | | PRODUCT SPEC | - | - | SIZE | CAGE CODE |
| 1 PLC ± - | | APPLICATION SPEC | 114-2074 | - | A2 | 00779 |
| 2 PLC ± 0.25 [.010] | | WEIGHT | - | - | DRAWING NO | 1217378 |
| 3 PLC ± - | | CUSTOMER DRAWING | - | - | SCALE | 5:1 |
| 4 PLC ± - | | MATERIAL | H06 BRASS | SEE TABLE | SHEET | 1 of 1 |
| ANGLES ± - | | FINISH | - | - | REV | A3 |
| FINISH | | RESTRICTED TO | | | | |

X-ON Electronics

Largest Supplier of Electrical and Electronic Components

Click to view similar products for [Terminals](#) category:

Click to view products by [TE Connectivity](#) manufacturer:

Other Similar products are found below :

[00-054007-01074-6](#) [00-054007-70206-1](#) [00-054007-70210-8](#) [00-054007-70217-7](#) [00-054007-70226-9](#) [00-054007-70228-3](#) [00-054007-70248-1](#) [00-054007-70256-6](#) [00-054007-70301-3](#) [00-054007-70316-7](#) [00-054007-49560-4](#) [00-054007-70209-2](#) [00-054007-70225-2](#) [00-054007-70227-6](#) [00-054007-70231-3](#) [00-054007-70241-2](#) [00-054007-70242-9](#) [00-054007-70244-3](#) [00-054007-70246-7](#) [00-054007-70263-4](#) [00-054007-70288-7](#) [00-054007-70290-0](#) [00-054007-70300-6](#) [00-054007-70304-4](#) [01-2065-1-0216](#) [01-2900-1-04412](#) [00581P0075](#) [600TS-10](#) [60205-1](#) [604200-1](#) [605601-1](#) [60598-1-CUT-TAPE](#) [61314-6-C](#) [61810-3](#) [61-S](#) [61-SN](#) [626-0194](#) [62-NBM-A](#) [62-SN](#) [62-SP](#) [63-S](#) [640179-1](#) [M55155/059I03](#) [M55155/079C01](#) [M55155/099H02](#) [M55155/109H01](#) [M55155/109H02](#) [M55155/12XH05](#) [M55155/16XH02](#) [M55155/29-5S](#)