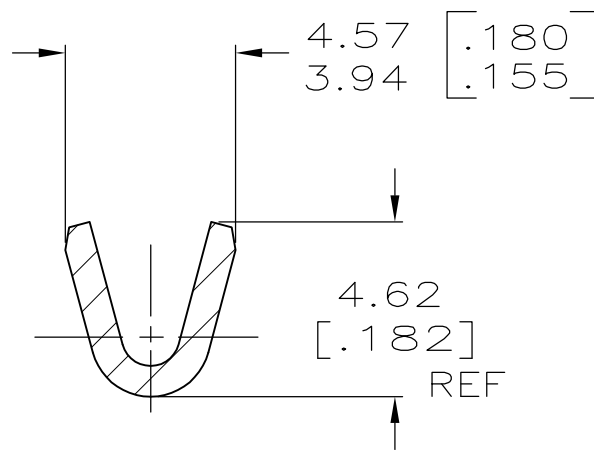
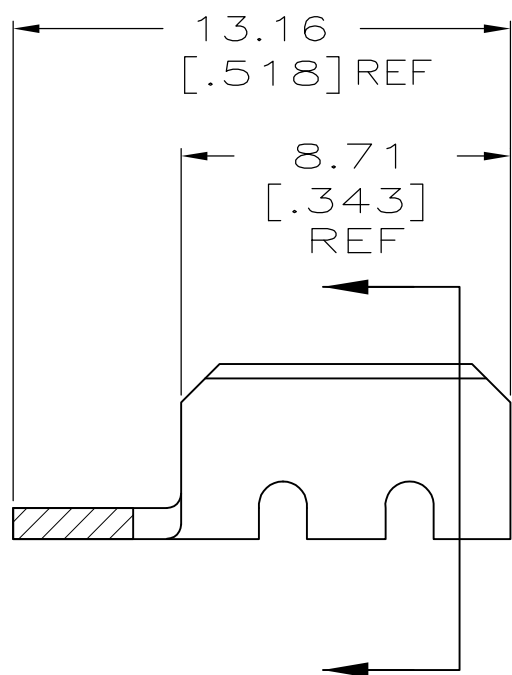
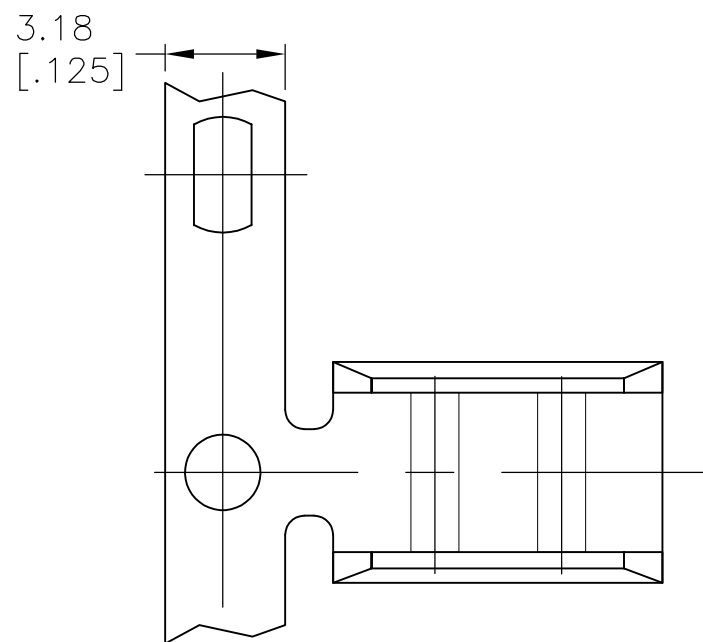


THIS DRAWING IS UNPUBLISHED. RELEASED FOR PUBLICATION
 © COPYRIGHT - BY TYCO ELECTRONICS CORPORATION. ALL RIGHTS RESERVED.

| | | | | | | | |
|-----|------|-----------|-----|---------------------------|---------|-----|------|
| LOC | DIST | REVISIONS | | | | | |
| AF | 50 | P | LTR | DESCRIPTION | DATE | DWN | APVD |
| | | | H1 | REVISED PER ECR-07-031139 | 20FEB08 | HMR | GP |



- 1 CONTINUOUS STRIP ON REELS
- 2 STRAIN RELIEF FOR 1.14 [.045] DIA STRANDED STEEL CABLE.
- 3 MATERIAL THICKNESS IS 0.81±0.025 [.032±.001].
- 4 REF CRIMPING INFO: 3.30 [.130] F CRIMP WIDTH AT 1.93±0.05 [.076±.002] CRIMP HEIGHT TO MEET 80 LB MIN CRIMP TENSILE REQ.
- 5 PRELIMINARY - NOT FOR PRODUCTION
- 6 PREPRODUCTION - FASR REQ
- 7 0.77±0.025 [.0305±.001] THK MATERIAL

| | | | |
|----------|--|-------------------------------|-------------|
| | - | 7 PHOS BRONZE, H04 TEMPER | 1217440-8 |
| OBSOLETE | 0.00508 [.000200] MIN TIN OVER 0.00508 [.000200] MIN NICKEL | 3 CRS STEEL, TEMPER 2 | 6 1217440-3 |
| | - | 3 STAINLESS STEEL, TEMPER ANL | 5 1217440-2 |
| OBSOLETE | 0.00254 [.000100] MIN NICKEL | 3 CRS STEEL, TEMPER 2 | 1217440-1 |

| FINISH | | MATERIAL | | PART NO. | |
|--|---------------|----------|---------|---|--|
| THIS DRAWING IS A CONTROLLED DOCUMENT. | | DWN | 10JUL00 | Tyco Electronics Corporation Harrisburg, PA 17105-3608 | |
| DIMENSIONS: mm [INCHES] | | CHK | 10JUL00 | NAME | |
| TOLERANCES UNLESS OTHERWISE SPECIFIED: | | APVD | 10JUL00 | PRODUCT SPEC | |
| 0 PLC | ± - | MS FEHER | | APPLICATION SPEC | |
| 1 PLC | ± - | G PORTA | | SPECIAL STRAIN RELIEF | |
| 2 PLC | ± 0.25 [.010] | - | | SIZE | |
| 3 PLC | ± - | - | | CAGE CODE | |
| 4 PLC | ± - | - | | DRAWING NO | |
| ANGLES | ± - | - | | RESTRICTED TO | |
| MATERIAL | FINISH | WEIGHT | | A3 00779 C-1217440 | |
| SEE TABLE | SEE TABLE | - | | SCALE 5:1 SHEET 1 OF 1 REV H1 | |
| CUSTOMER DRAWING | | | | | |

X-ON Electronics

Largest Supplier of Electrical and Electronic Components

Click to view similar products for [Terminals](#) category:

Click to view products by [TE Connectivity](#) manufacturer:

Other Similar products are found below :

[HT-13-10](#) [71M-250-32-NB](#) [01-2065-1-0216](#) [00581P0075](#) [M10-10RX](#) [M10BCK](#) [60205-1](#) [604200-1](#) [60598-1-CUT-TAPE](#) [60617-1-C](#) [60873-1](#) [M14-516R/SK](#) [M14-6RSX](#) [M18-8FBX](#) [M18-8R/LX](#) [M18BCK](#) [61314-6-C](#) [61-S](#) [61-SN-A](#) [62-NBM-A](#) [63-S](#) [640179-1](#) [640917-2-CUT-TAPE](#) [6501550002](#) [66107-2-C](#) [696683-1](#) [696834-1](#) [696861-1](#) [696931-1](#) [696999-1](#) [M8-516RK](#) [M86700006](#) [MA250DMFMX-A](#) [701-2007](#) [701-2307](#) [701-7761-03](#) [70F-110-32-PB](#) [718-N-A](#) [71M-187-20-NBL](#) [71M-250-32-NBL](#) [72F-187-20-NBL](#) [72M-250-32-NBL](#) [7310](#) [73F-250-32](#) [73F-250-32-NL](#) [F14-10C](#) [F-1M](#) [751-250](#) [76650-5002](#) [76828-149](#)