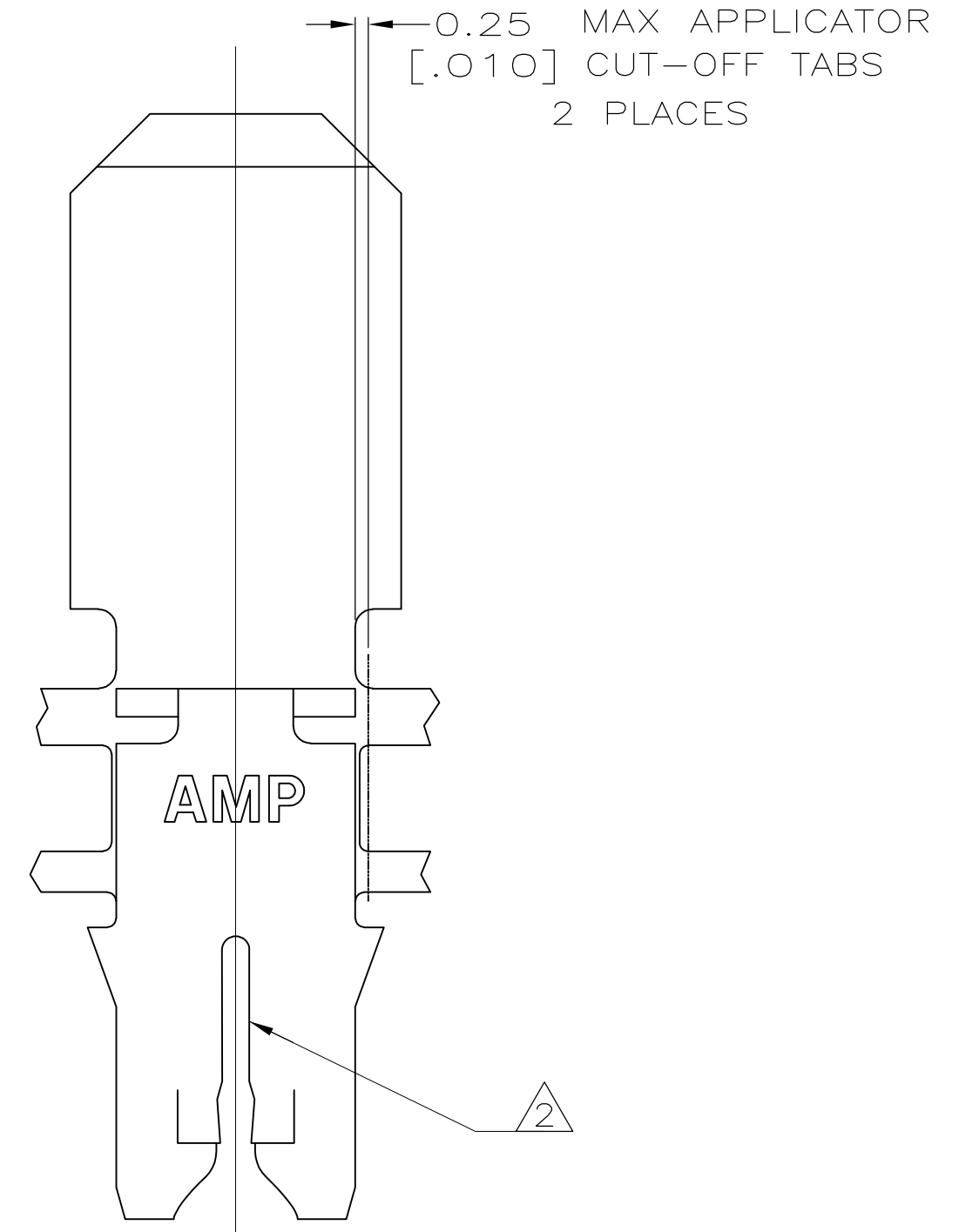
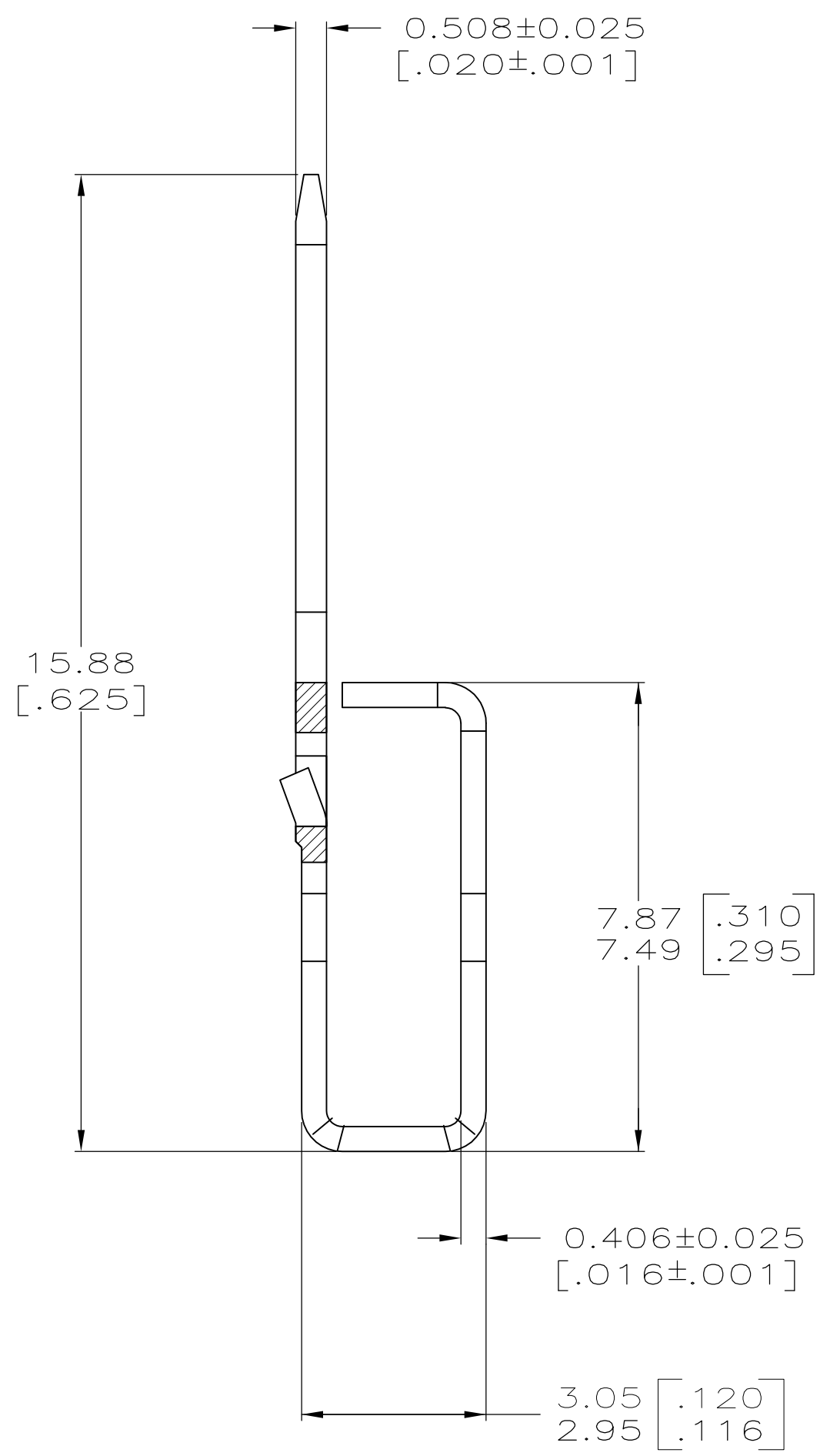
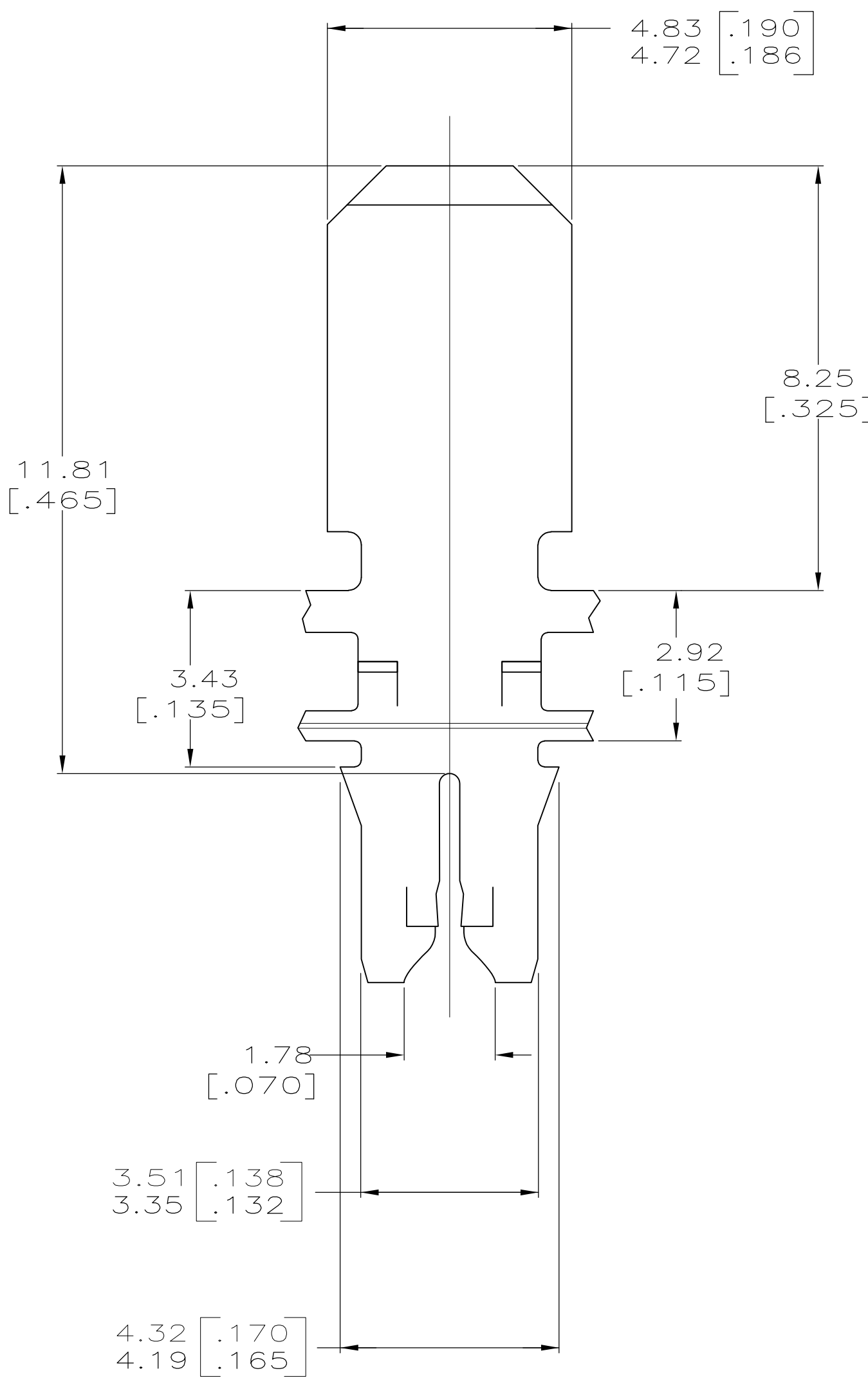


THIS DRAWING IS UNPUBLISHED. RELEASED FOR PUBLICATION
 © COPYRIGHT - By - ALL RIGHTS RESERVED.

LOC		DIST		REVISIONS			
P	LTR	DESCRIPTION	DATE	DWN	APVD		
	D2	ECR-15-005665	10AUG2015	BDA	PKS		



- 1 CONTINUOUS STRIP ON REELS WITH TERMINALS LOCATED ON 5.59 ± 0.08 [$.220 \pm .003$] CENTERS.
- 2 SLOT TERMINATES A SINGLE MAGNET WIRE ONLY. COPPER RANGE: 0.57-0.81mm [#23-#20] AWG. ALUMINUM RANGE: 0.72-0.91mm [#21-#19] AWG. ALUMINUM WIRE RANGE APPLIES FOR POST-TIN PLATED VERSIONS ONLY.
- 4 CONTACT LUBE OVER MIN NICKEL PLATE.



1217493-1
 PART NUMBER

THIS DRAWING IS A CONTROLLED DOCUMENT.		DWN MICHAEL S. FEHER 20SEP2000																									
DIMENSIONS: INCHES		CHK KURT A. RANDOLPH 21SEP2000																									
TOLERANCES UNLESS OTHERWISE SPECIFIED:		APVD KURT A. RANDOLPH 21SEP2000	NAME TERMINAL, TAB, 4.75 [.187] SERIES, 300 SERIES MAG-MATE™																								
<table border="1"> <tr><td>0 PLC</td><td>±</td><td>-</td></tr> <tr><td>1 PLC</td><td>±</td><td>-</td></tr> <tr><td>2 PLC</td><td>±</td><td>0.25[.010]</td></tr> <tr><td>3 PLC</td><td>±</td><td>-</td></tr> <tr><td>4 PLC</td><td>±</td><td>-</td></tr> <tr><td>ANGLES</td><td>±</td><td>-</td></tr> <tr><td>FINISH</td><td>-</td><td>4</td></tr> </table>		0 PLC	±	-	1 PLC	±	-	2 PLC	±	0.25[.010]	3 PLC	±	-	4 PLC	±	-	ANGLES	±	-	FINISH	-	4	PRODUCT SPEC 108-2012	SIZE A2	CAGE CODE 00779	DRAWING NO C=1217493	RESTRICTED TO -
0 PLC	±	-																									
1 PLC	±	-																									
2 PLC	±	0.25[.010]																									
3 PLC	±	-																									
4 PLC	±	-																									
ANGLES	±	-																									
FINISH	-	4																									
MATERIAL BRASS		APPLICATION SPEC 114-2046	SCALE 10:1		SHEET 1 of 1	REV D2																					
		WEIGHT -	CUSTOMER DRAWING																								

X-ON Electronics

Largest Supplier of Electrical and Electronic Components

Click to view similar products for [Terminals](#) category:

Click to view products by [TE Connectivity](#) manufacturer:

Other Similar products are found below :

[HT-13-10](#) [71M-250-32-NB](#) [01-2065-1-0216](#) [00581P0075](#) [M10-10RX](#) [M10BCK](#) [60205-1](#) [604200-1](#) [60598-1-CUT-TAPE](#) [60617-1-C](#) [60873-1](#) [M14-516R/SK](#) [M14-6RSX](#) [M18-8FBX](#) [M18-8R/LX](#) [M18BCK](#) [61314-6-C](#) [61-S](#) [61-SN-A](#) [62-NBM-A](#) [63-S](#) [640179-1](#) [640917-2-CUT-TAPE](#) [6501550002](#) [66107-2-C](#) [696683-1](#) [696834-1](#) [696861-1](#) [696931-1](#) [696999-1](#) [M8-516RK](#) [M86700006](#) [MA250DMFMX-A](#) [701-2007](#) [701-2307](#) [701-7761-03](#) [70F-110-32-PB](#) [718-N-A](#) [71M-187-20-NBL](#) [71M-250-32-NBL](#) [72F-187-20-NBL](#) [72M-250-32-NBL](#) [7310](#) [73F-250-32](#) [73F-250-32-NL](#) [F14-10C](#) [F-1M](#) [751-250](#) [76650-5002](#) [76828-149](#)