

4

3

2

1

THIS DRAWING IS UNPUBLISHED.

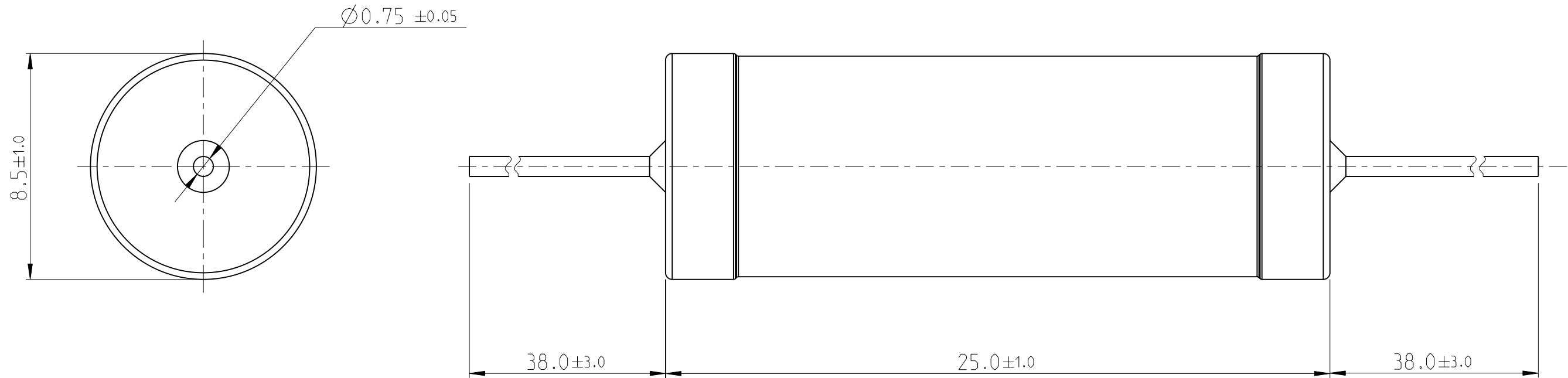
RELEASED FOR PUBLICATION

2011

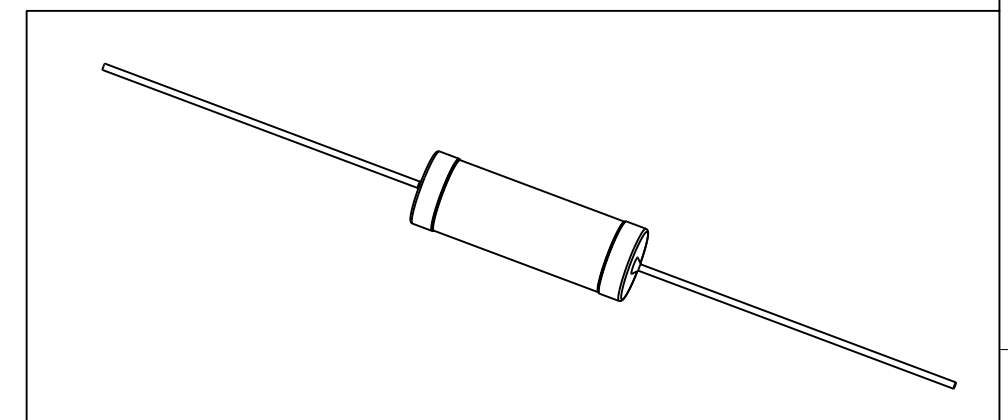
© COPYRIGHT 2011


ALL RIGHTS RESERVED.

| LOC | DIST | REVISIONS   |           |     |      |
|-----|------|-------------|-----------|-----|------|
| P   | LTR  | DESCRIPTION | DATE      | DWN | APVD |
| AI  | -    | NEW DRAWING | 16MAR2012 | DMS | ST.P |



FOR FUTHER INFORMATION SEE DATA SHEET FOR  
WIREWOUND ANTI-SURGE RESISTOR - EP SERIES



|  |  |                                |   |              |                    |
|--|--|--------------------------------|---|--------------|--------------------|
| THIS DRAWING IS A CONTROLLED DOCUMENT.                                 |  | DWN<br>DARSHAN.MS<br>16MAR2012 |  TE Connectivity |              |                    |
| DIMENSIONS:<br>mm  |  | CHK<br>ALLAN.P<br>16MAR2012    |   |              |                    |
| TOLERANCES UNLESS OTHERWISE SPECIFIED:                                 |  | APVD<br>STEPHEN.P<br>16MAR2012 | NAME<br>WIREWOUND ANTI-SURGE<br>RESISTOR - TYPE EP 5W   |              |                    |
| 0 PLC ±-<br>1 PLC ±-<br>2 PLC ±-<br>3 PLC ±-<br>4 PLC ±-<br>ANGLES ±1° |  | PRODUCT SPEC<br>-              | RESTRICTED TO<br>-  |              |                    |
| MATERIAL<br>-  |  | FINISH<br>-                    | APPLICATION SPEC<br>-   | SIZE<br>A3   | CAGE CODE<br>00779 |
|  |  | WEIGHT<br>6.487 Gram           | DRAWING NO<br>C=2176045   | SCALE<br>1:1 |                    |
|  |  | CUSTOMER DRAWING               |   | SHEET<br>1   | OF<br>1            |
|  |  |                                |   | REV<br>BA    |                    |

## X-ON Electronics

Largest Supplier of Electrical and Electronic Components

*Click to view similar products for* [Current Sense Resistors - Through Hole](#) *category:*

*Click to view products by* [TE Connectivity](#) *manufacturer:*

Other Similar products are found below :

[CPSL07R1000JB145](#) [SR10-0.015-1%](#) [SR20-0.008-1%](#) [HPCR0402F12K0K9](#) [HPCR0402F130RK9](#) [HPCR0402F13K0K9](#)

[HPCR0402F17K4K9](#) [HPCR0402F180KK9](#) [HPCR0402F180RK9](#) [HPCR0402F1K10K9](#) [HPCR0402F220KK9](#) [HPCR0402F220RK9](#)

[HPCR0402F24K0K9](#) [HPCR0402F27K0K9](#) [HPCR0402F2K00K9](#) [HPCR0402F33K0K9](#) [HPCR0402F430KK9](#) [HPCR0402F4K30K9](#)

[HPCR0402F4K70K9](#) [HPCR0402F680KK9](#) [HPCR0402F680RK9](#) [HPCR0402F390KK9](#) [HPCR0402F39K0K9](#) [HPCR0402F8K20K9](#)

[HPCR0402F560RK9](#) [HPCR0402F2K70K9](#) [HPCR0402F360KK9](#) [HPCR0402F36K0K9](#) [HPCR0402F3K00K9](#) [HPCR0402F3K90K9](#)

[HPCR0402F430RK9](#) [HPCR0402F43K0K9](#) [HPCR0402F475KK9](#) [HPCR0402F47K0K9](#) [HPCR0402F51K0K9](#) [HPCR0402F560KK9](#)

[HPCR0402F56K0K9](#) [HPCR0402F5K10K9](#) [HPCR0402F5K60K9](#) [HPCR0402F620KK9](#) [HPCR0402F620RK9](#) [HPCR0402F68K0K9](#)

[HPCR0402F6K20K9](#) [HPCR0402F6K80K9](#) [HPCR0402F750KK9](#) [HPCR0402F750RK9](#) [HPCR0402F7K50K9](#) [HPCR0402F820KK9](#)

[HPCR0402F82K0K9](#) [HPCR0402F910KK9](#)