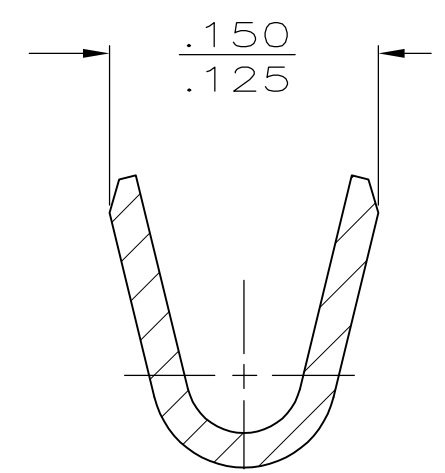
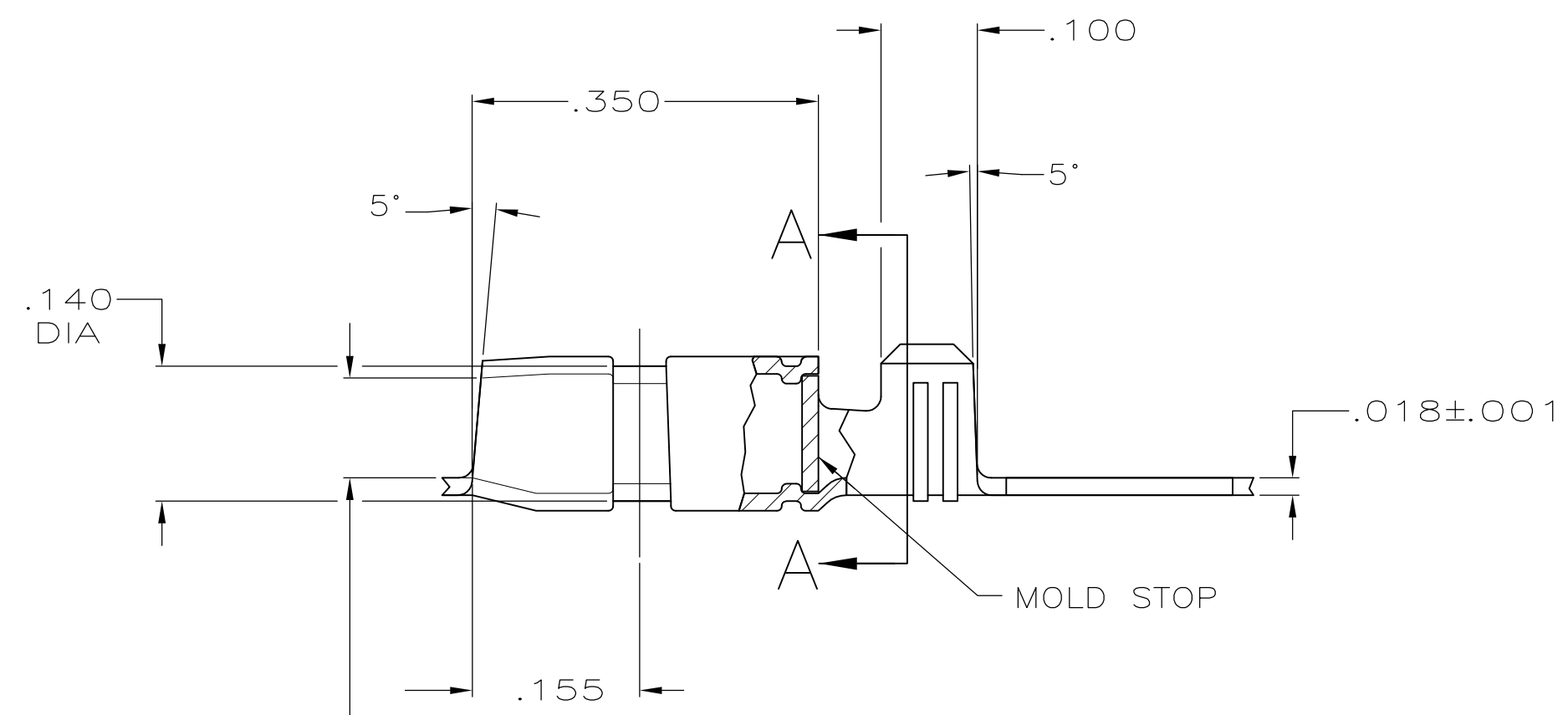
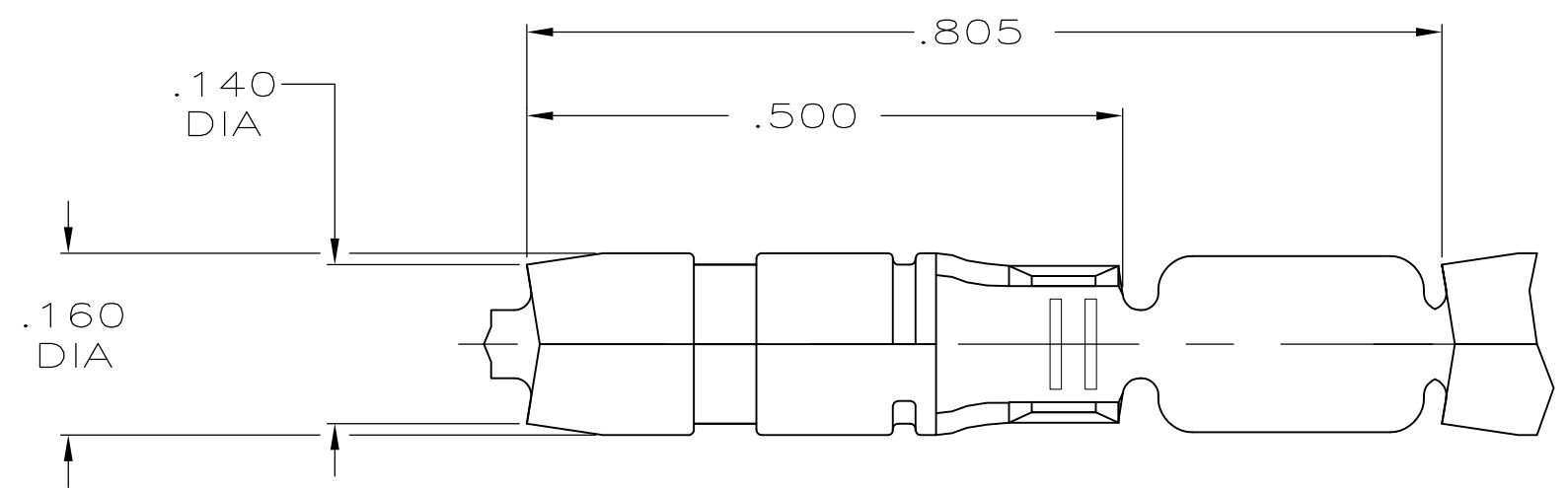


THIS DRAWING IS UNPUBLISHED. RELEASED FOR PUBLICATION
 © COPYRIGHT BY TYCO ELECTRONICS CORPORATION. ALL INTERNATIONAL RIGHTS RESERVED.

| LOC | DIST | REVISIONS | | | | | |
|-----|------|-----------|-----|---------------------------|---------|-----|------|
| AF | 50 | P | LTR | DESCRIPTION | DATE | DWN | APVD |
| | | | F | REVISED PER ECR-09-007435 | 01APR09 | HMR | DD |

- 1 CONTINUOUS STRIP ON REEL.
- 2 WIRE SIZE IS 18-14 AWG.
- 3 PRELIMINARY - NOT FOR PRODUCTION



SECTION A-A
SCALE 10:1

| | |
|---------------|-------------|
| TIN PLATE | 3 1217606-2 |
| PRE-TIN PLATE | 1217606-1 |
| FINISH | PART NO. |

| | | | | | | | | |
|--|--|------------------|----------|---------|---|-----------|------------|---------------|
| THIS DRAWING IS A CONTROLLED DOCUMENT. | | DWN | JR RUTH | 07MAR01 | Tyco Electronics Corporation Harrisburg, PA 17105-3608 | | | |
| DIMENSIONS: INCHES | | CHK | MS FEHER | 07MAR01 | | | | |
| | | APVD | D DECKER | 07MAR01 | NAME | | | |
| TOLERANCES UNLESS OTHERWISE SPECIFIED: | | PRODUCT SPEC | | | SHUR PLUG, .156 DIA | | | |
| 0 PLC ± - | | APPLICATION SPEC | | | SIZE | CAGE CODE | DRAWING NO | RESTRICTED TO |
| 1 PLC ± - | | MATERIAL | | | A3 00779 C-1217606 | | | - |
| 2 PLC ± - | | FINISH | | | CUSTOMER DRAWING | | | |
| 3 PLC ± .010 | | 081 BRASS | | | SCALE | SHEET | REV | |
| 4 PLC ± - | | SEE TABLE | | | 6:1 | 1 OF 1 | F | |
| ANGLES ± - | | | | | | | | |

X-ON Electronics

Largest Supplier of Electrical and Electronic Components

Click to view similar products for [Terminals](#) category:

Click to view products by [TE Connectivity](#) manufacturer:

Other Similar products are found below :

[HT-13-10](#) [71M-250-32-NB](#) [01-2065-1-0216](#) [00581P0075](#) [M10-10RX](#) [M10BCK](#) [60205-1](#) [604200-1](#) [60598-1-CUT-TAPE](#) [60617-1-C](#) [60873-1](#) [M14-516R/SK](#) [M14-6RSX](#) [M18-8FBX](#) [M18-8R/LX](#) [M18BCK](#) [61314-6-C](#) [61-S](#) [61-SN-A](#) [62-NBM-A](#) [63-S](#) [640179-1](#) [640917-2-CUT-TAPE](#) [6501550002](#) [66107-2-C](#) [696683-1](#) [696834-1](#) [696861-1](#) [696931-1](#) [696999-1](#) [M8-516RK](#) [M86700006](#) [MA250DMFMX-A](#) [701-2007](#) [701-2307](#) [701-7761-03](#) [70F-110-32-PB](#) [718-N-A](#) [71M-187-20-NBL](#) [71M-250-32-NBL](#) [72F-187-20-NBL](#) [72M-250-32-NBL](#) [7310](#) [73F-250-32](#) [73F-250-32-NL](#) [F14-10C](#) [F-1M](#) [751-250](#) [76650-5002](#) [76828-149](#)