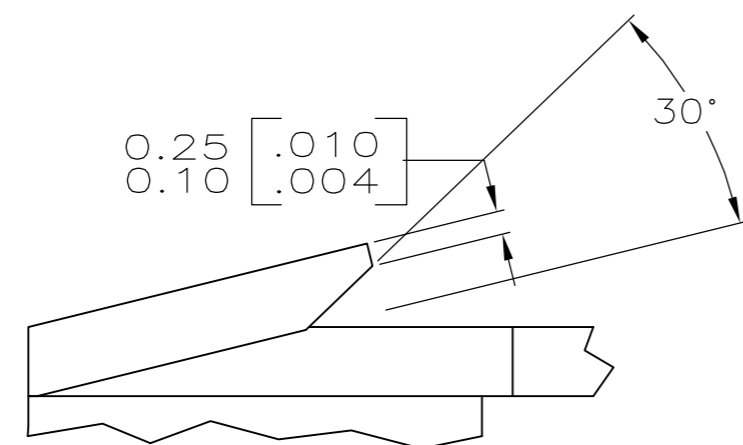
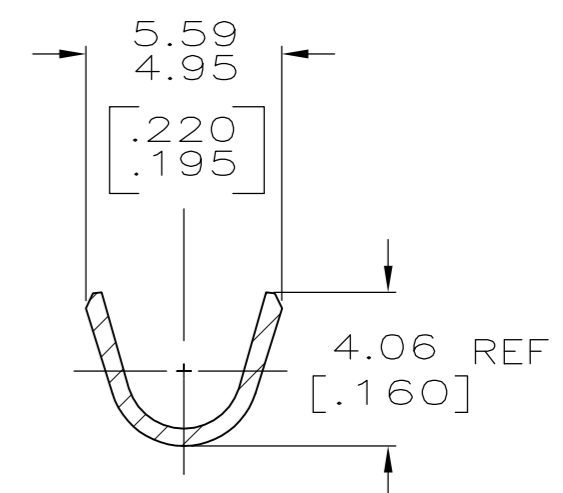
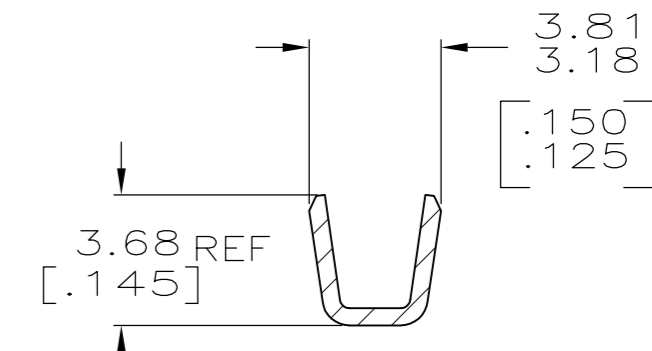
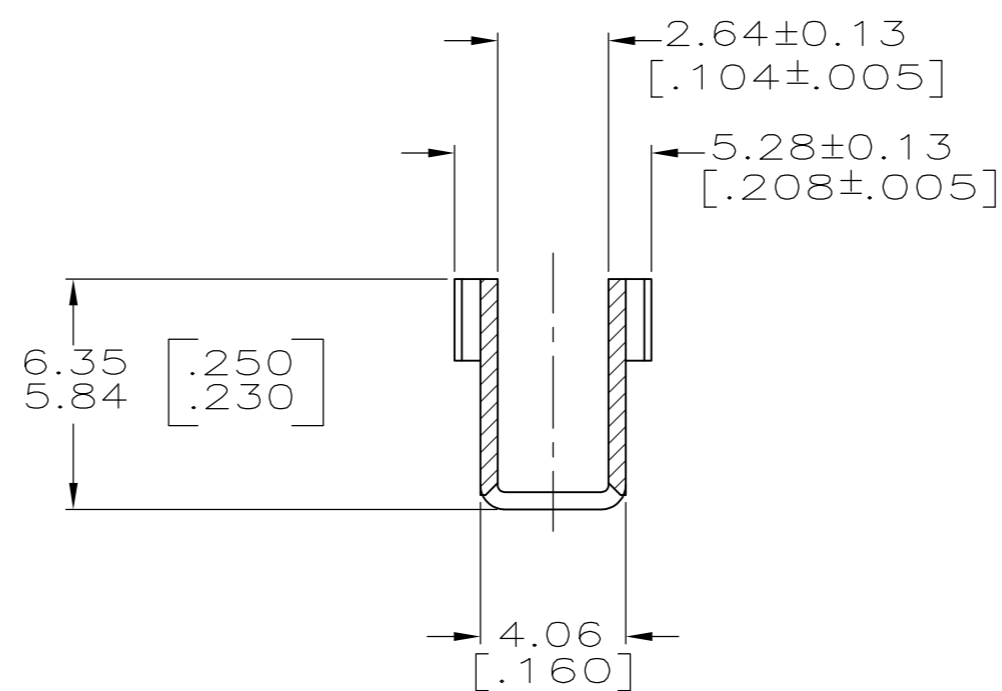
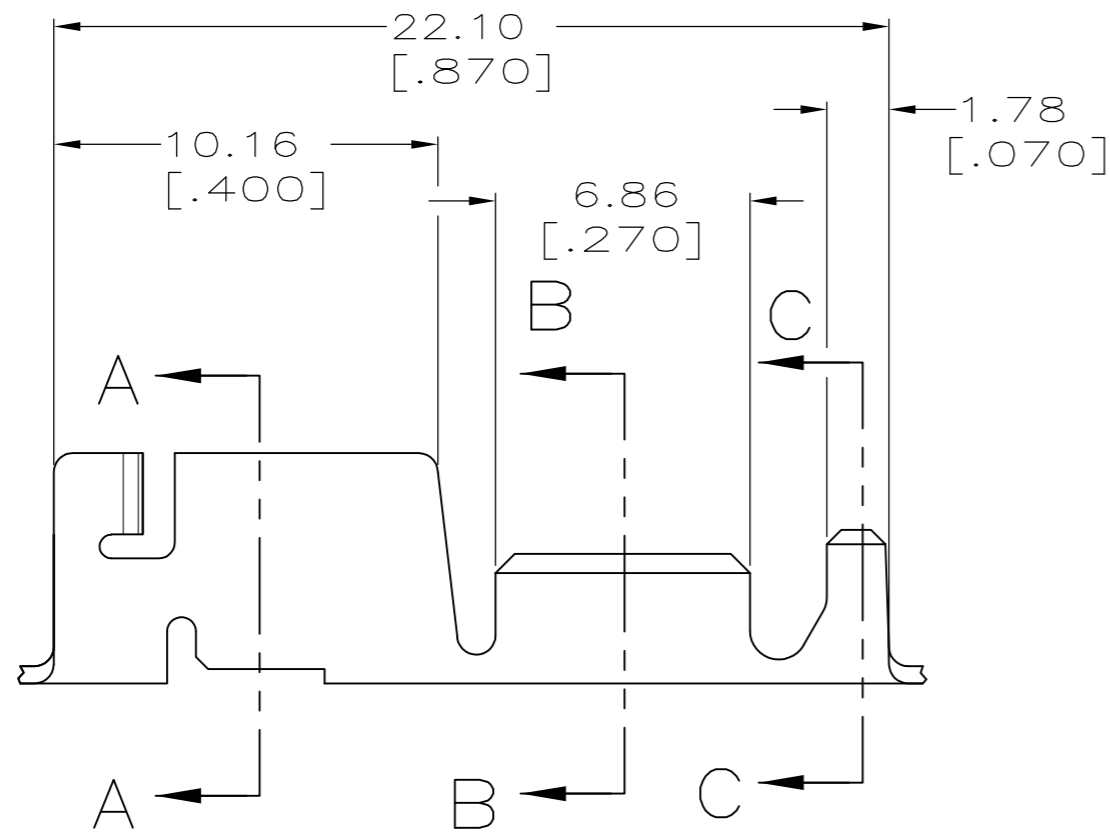
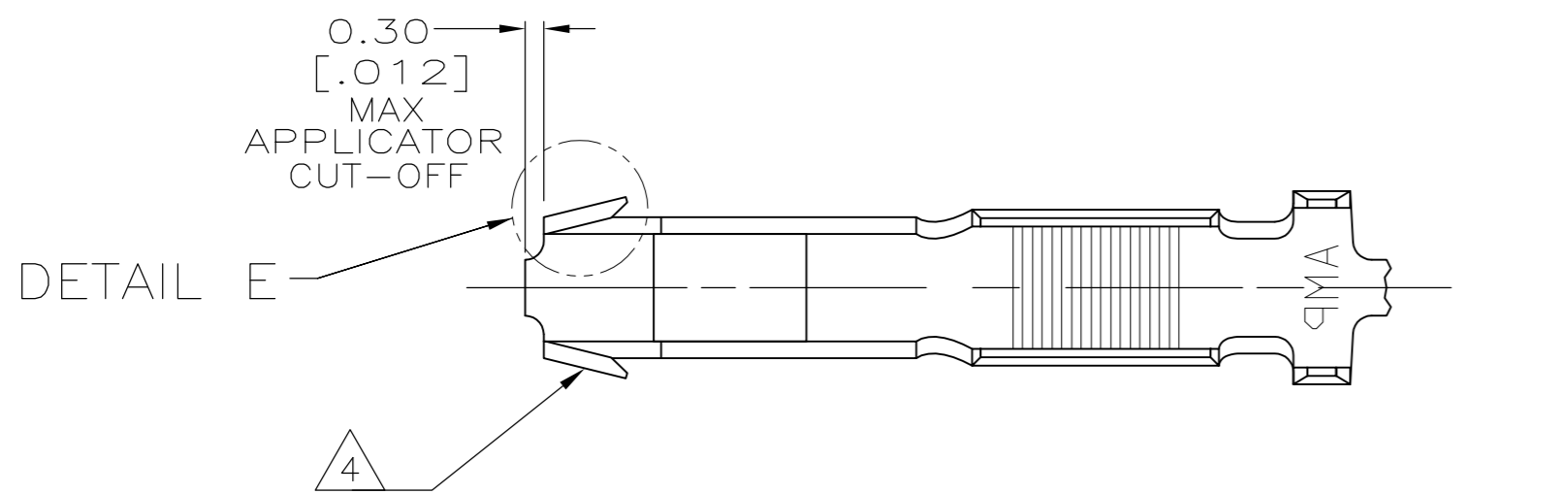
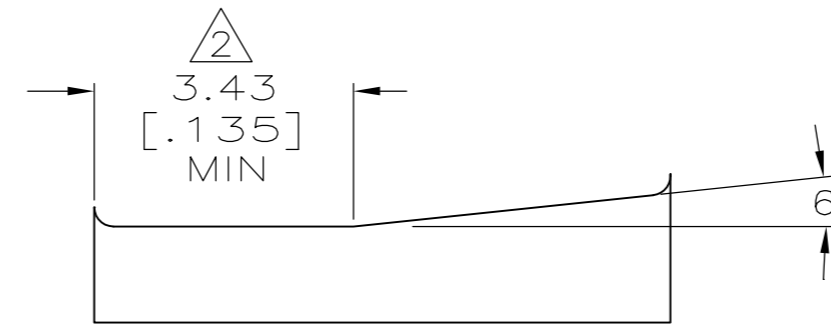


THIS DRAWING IS UNPUBLISHED. RELEASED FOR PUBLICATION
 © COPYRIGHT - By - ALL RIGHTS RESERVED.

LOC	DIST	REVISIONS					
AF	50	P	LTR	DESCRIPTION	DATE	DWN	APVD
		D		REVISED PER ECR-14-006300	28AUG2014	MKD	RRP



DETAIL E
SCALE 20:1



CRIMP CONFIGURATION

- CONTINUOUS STRIP ON REELS WITH TERMINALS LOCATED ON 23.75 [.935] CENTERS.
- MEASURE CRIMP HEIGHT IN THIS AREA.
- FORMULA TO CALCULATE CRIMP HEIGHT:

$$X = \frac{Y + 10100}{187500} \quad Y = \text{CMA} \quad X = \text{CRIMP HEIGHT}$$
- HIGH RETENTION FEATURE.

1.90-3.18 DIA [.075-.125]	1500-4200 CMA	1217671-1
INSULATION RANGE	WIRE RANGE	PART NUMBER

THIS DRAWING IS A CONTROLLED DOCUMENT.		DWN JR RUTH 29JUN01	TE Connectivity	
DIMENSIONS: mm [INCHES]		CHK G PORTA 29JUN01		
TOLERANCES UNLESS OTHERWISE SPECIFIED:		APVD G PORTA 29JUN01	NAME RECEPTACLE, CLUSTER PIN, AMPLIVAR, 3.18[.125] DIA	
0 PLC ± -	1 PLC ± -	PRODUCT SPEC 108-2008	SIZE A2	CAGE CODE 00779
2 PLC ± 0.25 [.010]	3 PLC ± -	APPLICATION SPEC 114-2019	DRAWING NO C=1217671	RESTRICTED TO -
4 PLC ± -	ANGLES ± -	WEIGHT -	SCALE 5:1	SHEET 1 of 1
MATERIAL H03 TIN-BRASS	FINISH POST TIN	CUSTOMER DRAWING	REV D	

X-ON Electronics

Largest Supplier of Electrical and Electronic Components

Click to view similar products for [Terminals](#) category:

Click to view products by [TE Connectivity](#) manufacturer:

Other Similar products are found below :

[00-054007-01074-6](#) [00-054007-70206-1](#) [00-054007-70210-8](#) [00-054007-70217-7](#) [00-054007-70228-3](#) [00-054007-70256-6](#) [00-054007-70316-7](#) [00-054007-49560-4](#) [00-054007-70209-2](#) [00-054007-70231-3](#) [00-054007-70241-2](#) [00-054007-70242-9](#) [00-054007-70246-7](#) [00-054007-70263-4](#) [00-054007-70288-7](#) [00-054007-70290-0](#) [00-054007-70300-6](#) [00-054007-70304-4](#) [01-2900-1-04412](#) [600TS-10](#) [605601-1](#) [60617-1-C](#) [61314-6-C](#) [61810-3](#) [626-0194](#) [63-S](#) [M55155/079C01](#) [M55155/099B03](#) [M55155/109H01](#) [M55155/29XJ08](#) [M55155/30-6S](#) [M55155/30-9S](#) [M55155/30XI09](#) [M6-14RSX](#) [696683-1](#) [696861-1](#) [696999-1](#) [M86700006](#) [D18-110B-C](#) [D18-110B-M](#) [701-1936](#) [701-1955](#) [701-2003](#) [701-2007](#) [701-2013](#) [701-2018](#) [701-2069](#) [701-2077-60](#) [701-2315](#) [701-2349](#)