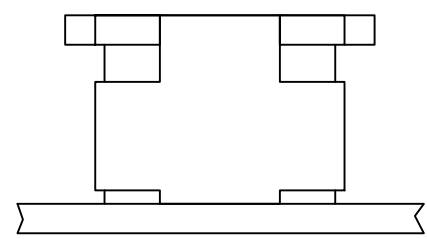
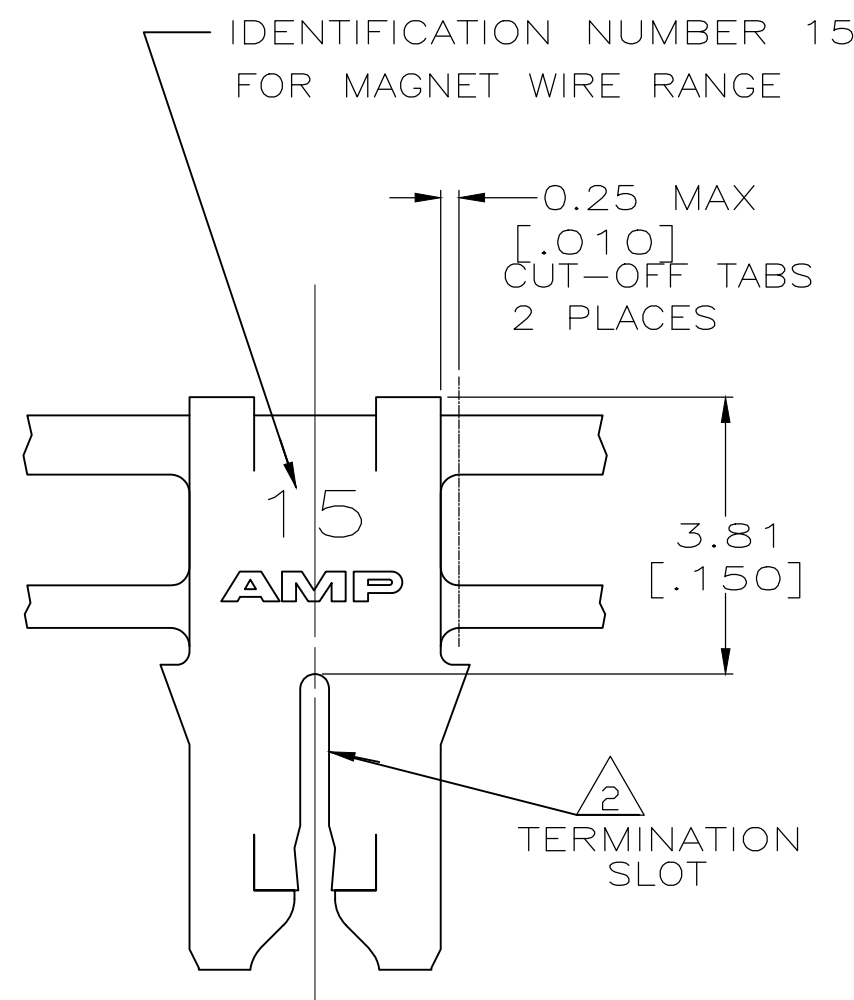
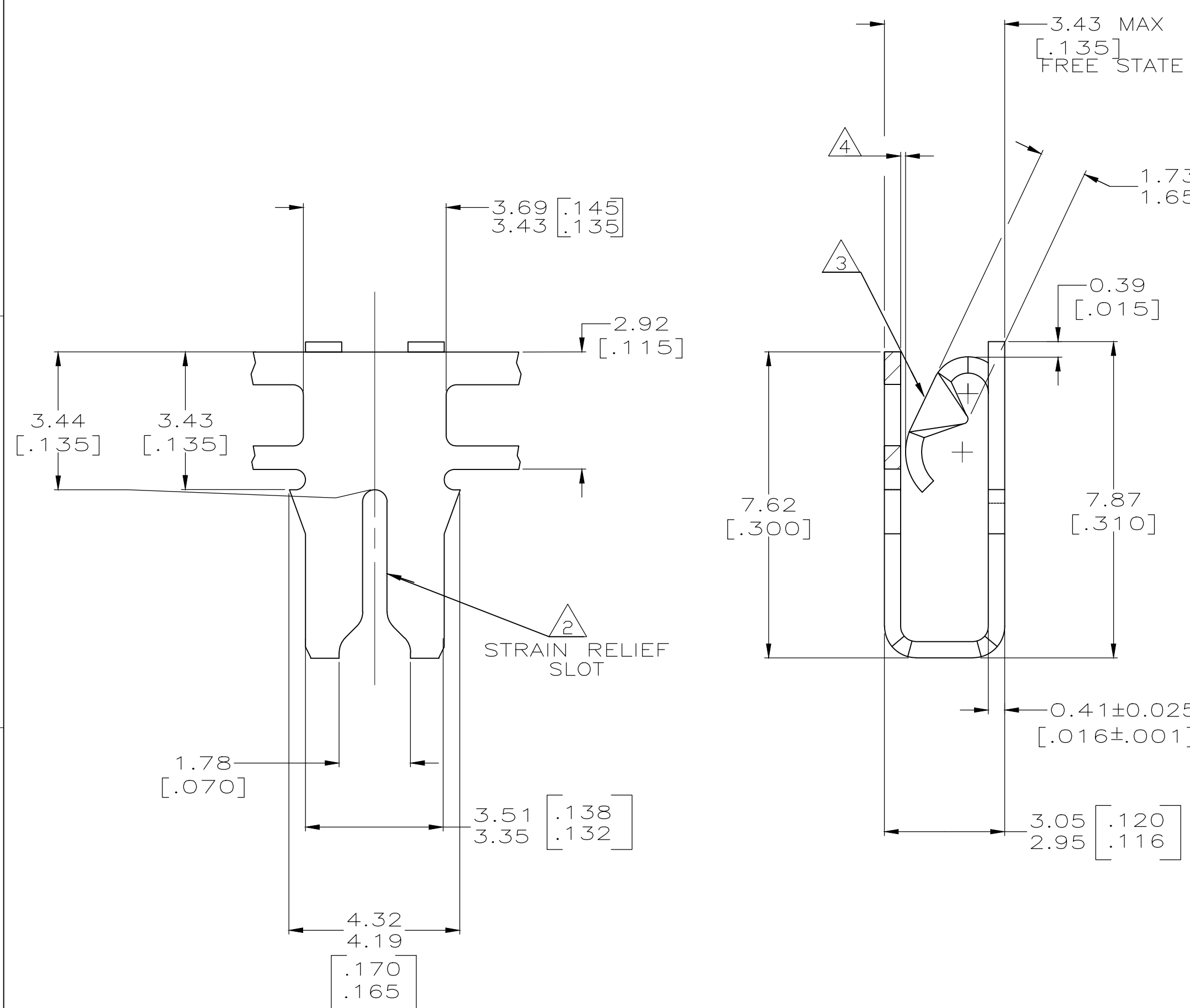


THIS DRAWING IS UNPUBLISHED. RELEASED FOR PUBLICATION  
 © COPYRIGHT - By - ALL RIGHTS RESERVED.

LOC	DIST	REVISIONS			
P	LTR	DESCRIPTION	DATE	DWN	APVD
AF	50	C	REVISED PER ECR-18-009392	28MAR2019	BDA SV



- 1 CONTINUOUS STRIP ON REELS WITH TERMINALS LOCATED ON 5.59±0.08 [.220±0.003] CENTERS
- 2 SLOT ACCEPTS A 0.54-0.64mm [#23.5-#22] AWG COPPER MAGNET WIRE.
- 3 MATES WITH STANDARD MAG-MATE STYLED POKE-IN TAB TERMINAL.
- 4 WHEN FREE STATE IS COMPRESSED TO 3.23 [.127] DIMENSION GAP BETWEEN SPRING AND CARRIER IS TO BE 0.30 [.012] MAX.
- 5 0.0010 [.000040] MIN TIN
- 6 ANTI-FRETTING LUBRICANT APPLIED.
- 7 0.00382 [.000150] MIN SILVER PLATE OVER 0.00127 [.000050] MIN NICKEL UNDERPLATE.
- 8 PRELIMINARY - NOT FOR PRODUCTION.



FINISH	MATERIAL	PART NUMBER
7	4M BRASS	8 1217689-4
5 6	H04 PHOSPHOR BRONZE	8 1217689-3
5 6	4M BRASS	8 1217689-2
5	4M BRASS	1217689-1

THIS DRAWING IS A CONTROLLED DOCUMENT.

DWN	15OCT2001	SAMUEL D. WYNN	 TE Connectivity
CHK	17OCT2001	MICHAEL S. FEHER	
APVD	17OCT2001	KURT A. RANDOLPH	
PRODUCT SPEC	108-2012		
APPLICATION SPEC	114-2046		SPECIAL LEAF CONTACT, 300 SERIES MAG-MATE™
MATERIAL	SEE TABLE	FINISH	SEE TABLE
WEIGHT	-	SIZE	A2
CUSTOMER DRAWING	SCALE	CAGE CODE	00779
	10:1	DRAWING NO	C=1217689
		RESTRICTED TO	-
		SHEET	1 OF 1
		REV	C

## X-ON Electronics

Largest Supplier of Electrical and Electronic Components

*Click to view similar products for [Terminals](#) category:*

*Click to view products by [TE Connectivity](#) manufacturer:*

Other Similar products are found below :

[00-054007-01074-6](#) [00-054007-70206-1](#) [00-054007-70210-8](#) [00-054007-70217-7](#) [00-054007-70226-9](#) [00-054007-70228-3](#) [00-054007-70248-1](#) [00-054007-70256-6](#) [00-054007-70301-3](#) [00-054007-70316-7](#) [0-0320562-0](#) [00-054007-49560-4](#) [00-054007-70209-2](#) [00-054007-70225-2](#) [00-054007-70227-6](#) [00-054007-70231-3](#) [00-054007-70241-2](#) [00-054007-70242-9](#) [00-054007-70244-3](#) [00-054007-70246-7](#) [00-054007-70263-4](#) [00-054007-70288-7](#) [00-054007-70290-0](#) [00-054007-70300-6](#) [00-054007-70304-4](#) [01-2065-1-0216](#) [01-2900-1-04412](#) [00581P0075](#) [600TS-10](#) [60205-1](#) [604200-1](#) [605601-1](#) [60598-1-CUT-TAPE](#) [61314-6-C](#) [61810-3](#) [61-S](#) [61-SN](#) [626-0194](#) [62-NBM-A](#) [62-SN](#) [62-SP](#) [63-S](#) [640179-1](#) [M55155/059I03](#) [M55155/079C01](#) [M55155/099H02](#) [M55155/109H01](#) [M55155/109H02](#) [M55155/12XH05](#) [M55155/16XH02](#)