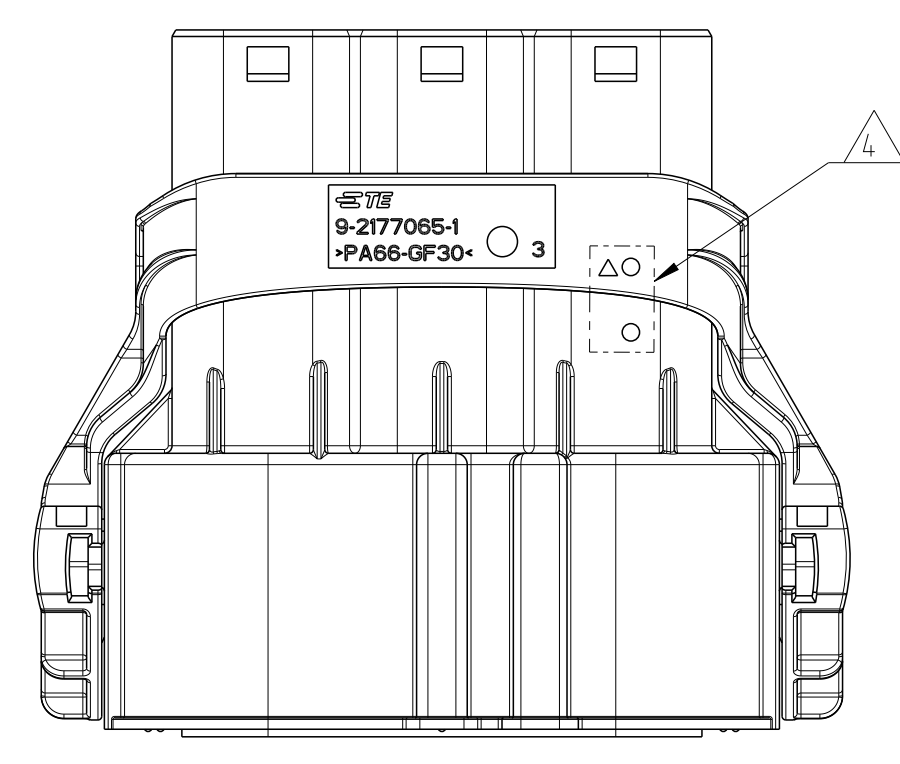
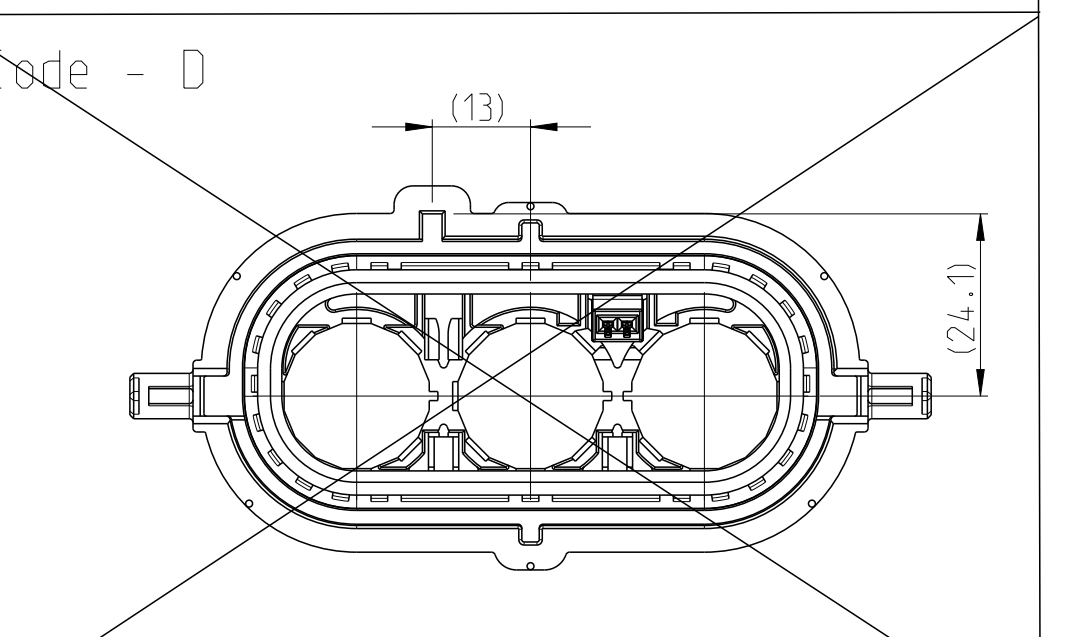
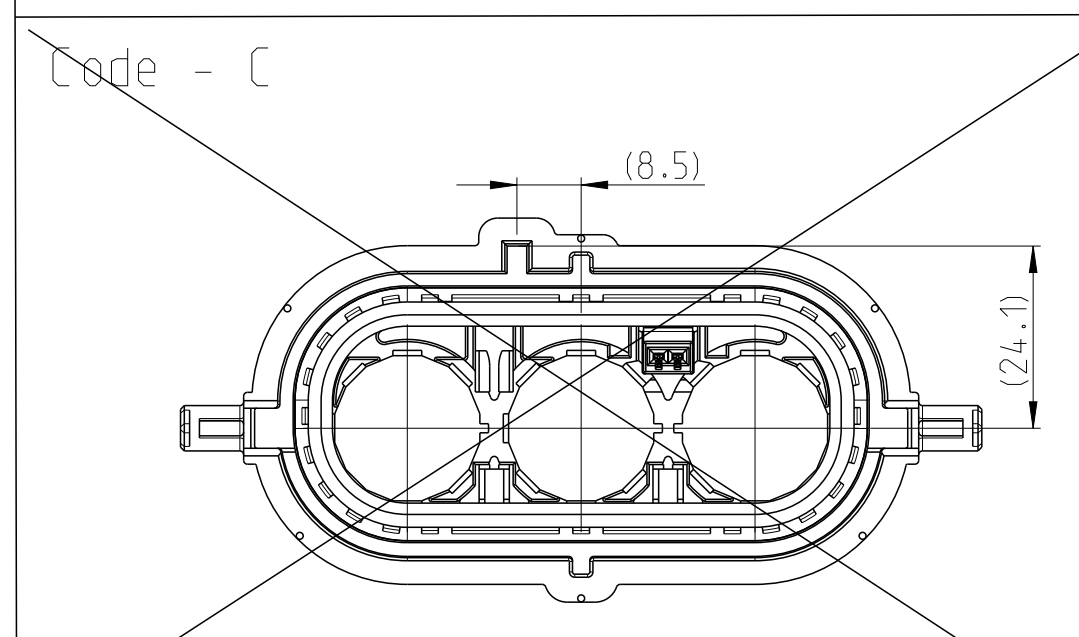
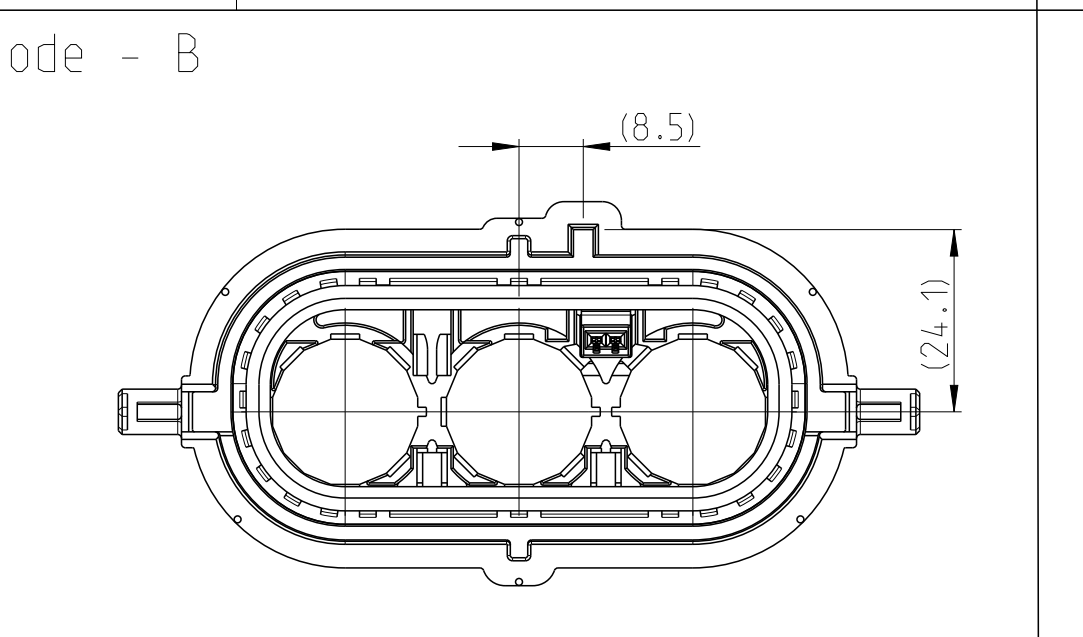
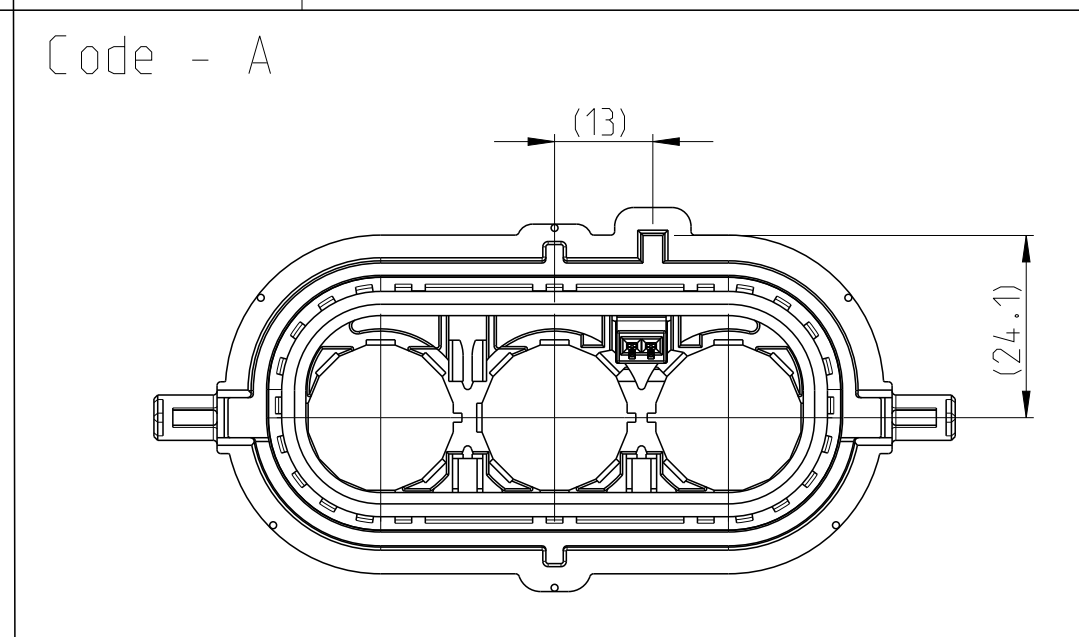


9- -1 AS SHOWN wie gezeichnet



9- -2 AS SHOWN wie gezeichnet

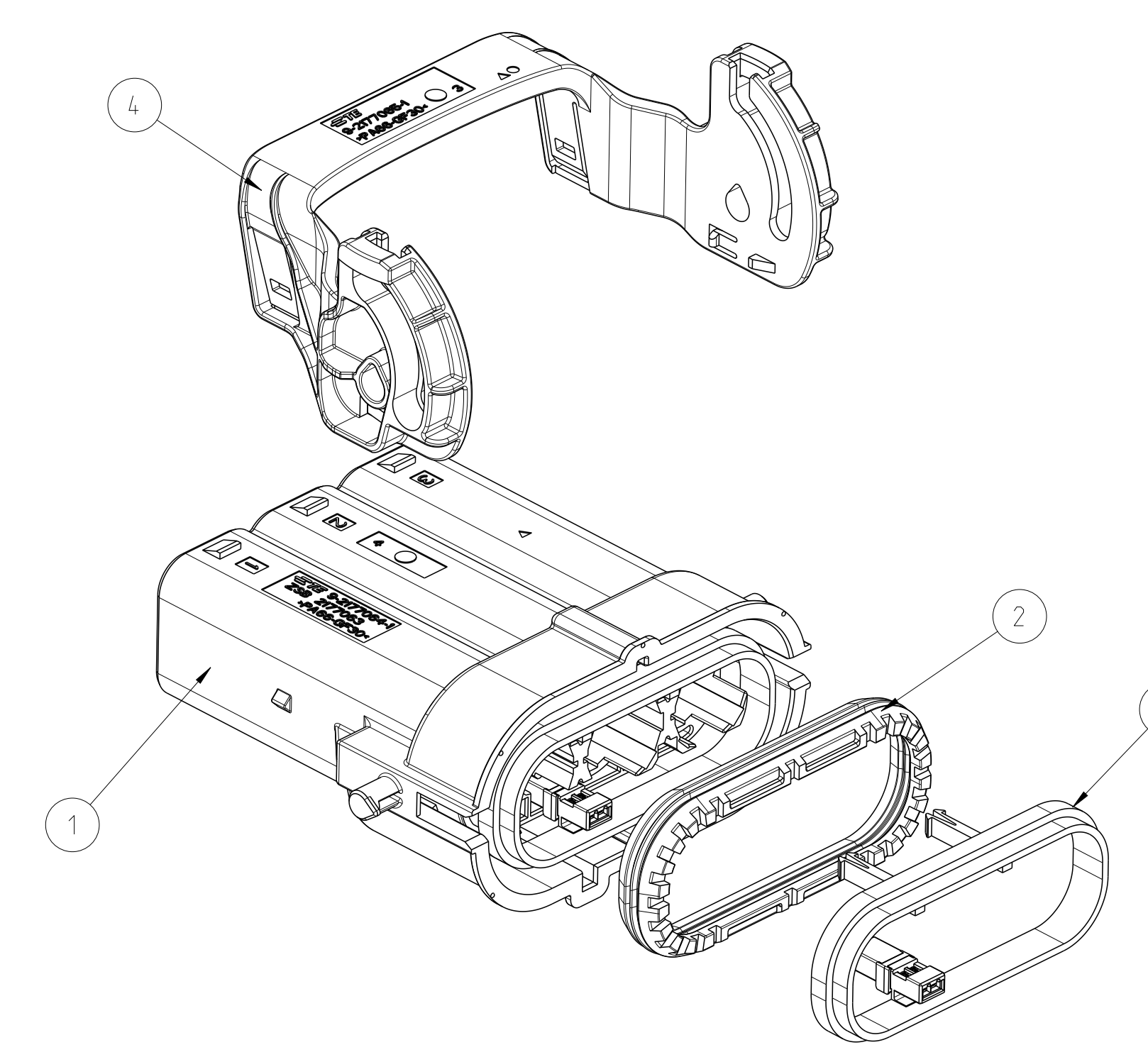


VIEWS WITHOUT LEVER
Ansichten ohne Hebel
CODINGS
Kodierung
1:1

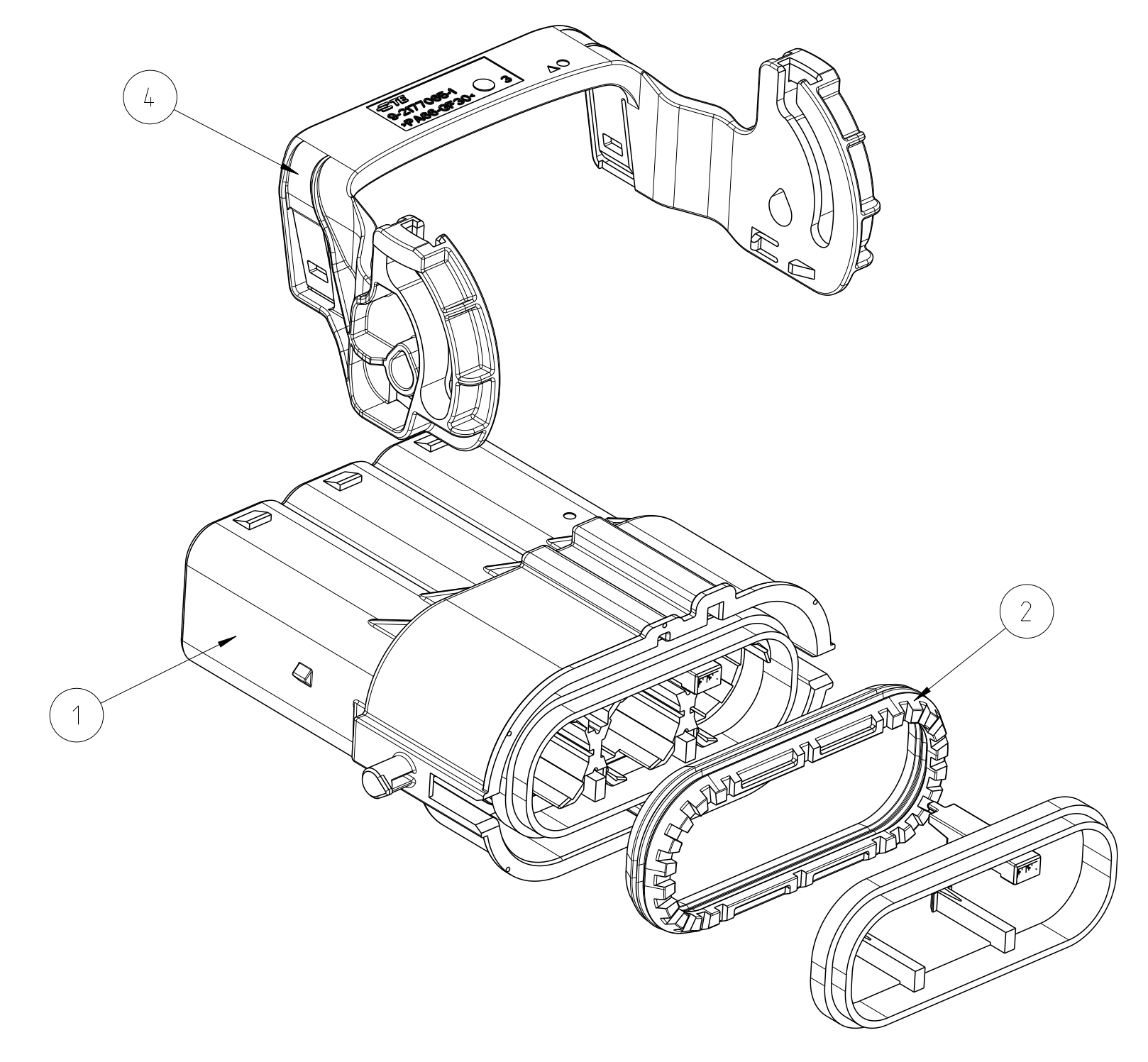
LOC	DISP	REV	DATE	APPD
A1	-	1		

NOTES
Bemerkungen

- IN CASE OF DISCREPANCIES BETWEEN GERMAN AND ENGLISH TEXT THE GERMAN TEXT IS BINDING
Im Falle von Unterschieden zwischen dem deutschen und dem englischen Text ist der deutsche Text verbindlich
- LAYER PACKING WITH CORRUGATED CARDBOARD INTO CARTON ACCORDING SPEC 107-18032
Lagenweise Verpackung mit
- SPECIFIED WIRE RANGE: SEE SPECIFIED LEADING CROSS SECTION: SEE
- VISUAL CONTROL OF VARIANT, SEE TABLE
Optische Kontrolle der Variante, siehe Tabelle
- SUPPLY CONDITION: LEVER IN ENDLOCKING POSITION
Anlieferungszustand: Hebel in Endraststellung
- CAVITY IDENTIFICATION
Kammerbezeichnung

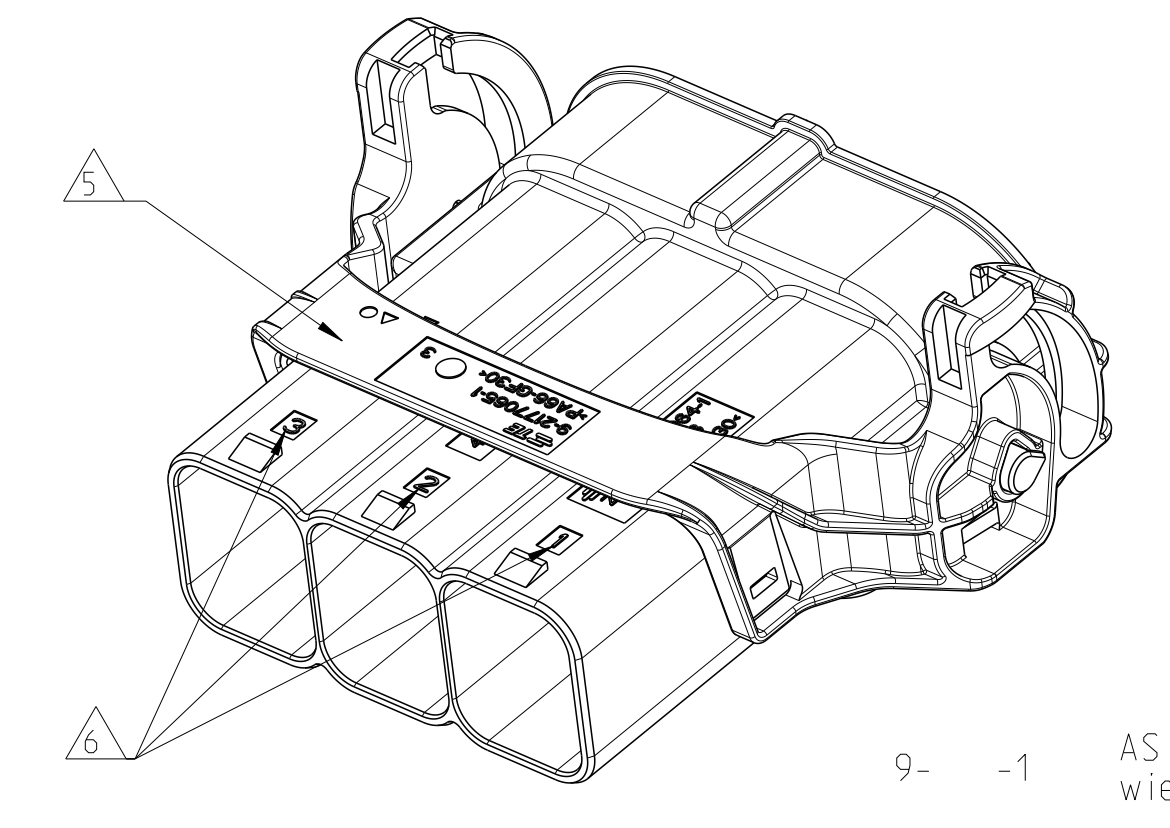


9- -1 AS SHOWN wie gezeichnet

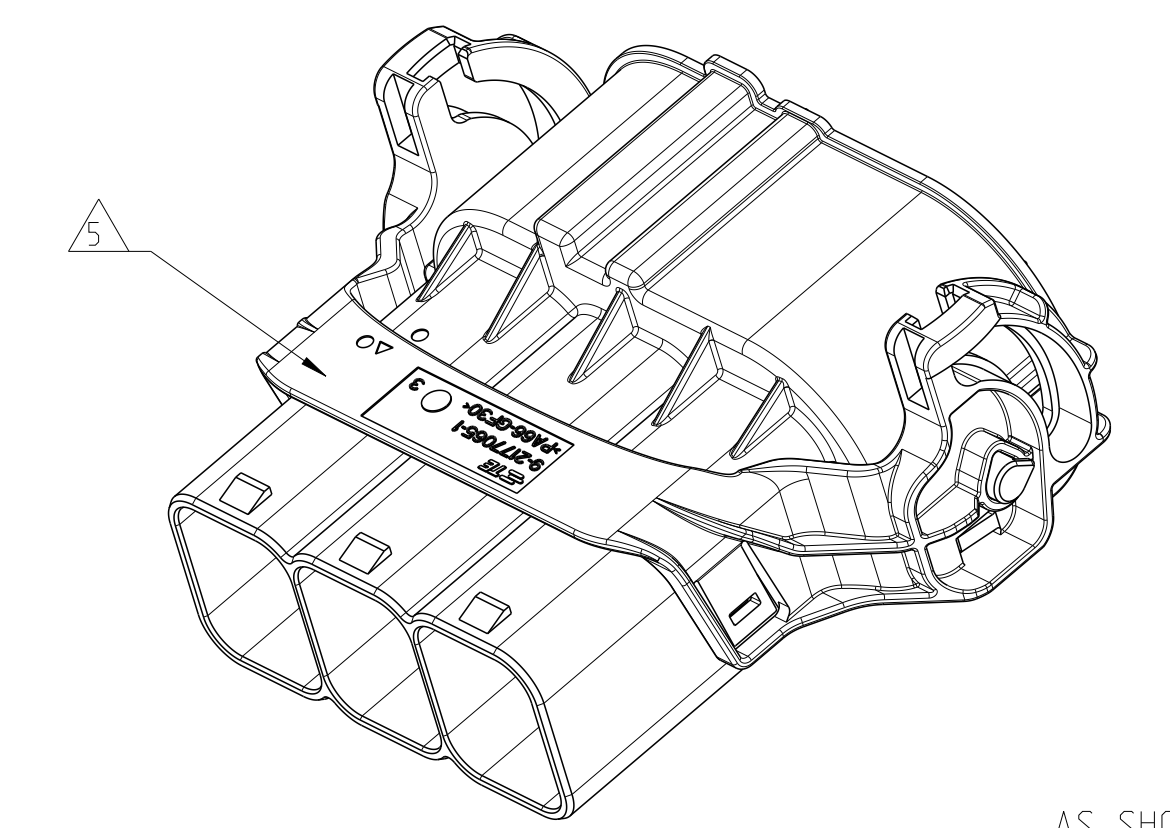


9- -2 AS SHOWN wie gezeichnet

CODE	TE ASSY-NO.	REV	WEIGHT (g)	QTY	TE PART-NO.	TE SUB-ASSY-NO.	DESCRIPTION	MATERIAL	SURFACE COLOUR	ITEM	SYMBOL
B	9-2177063-4	6	120	1	9-2177065-2	-	LEVER, 3POS, 180 DEG Spannhebel, 3pos, 180 Grad	PA66-GF30 PN 0-0704115-1 W. 1-5% BATCH PN 1-1192910-5	WHITE / weiss RAL 9010 (9011)	4	○
				1	-	9-2177066-2	3POS, MCON-1.2, REC HSG, 180 DEG, Assy 3pol. MCON-1.2, Dichtungshalter, 180 Grad, Assy	-	-	3	
				1	9-2141164-1	-	RADIAL SEAL 23.9x67.3 Radialdichtung	Silopren LSR 3485/35A PN 0-0704300-1/-2	NATURAL RAL 9001	2	
				1	9-2177064-2	-	3POS, 8MM HV, REC HSG, 180 DEG, SEALED 3pol. Gehäuse, 8mm HV, REC HSG, 180 Grad, gedichtet	PA66-GF30 PN 0-0702281-1 W. 2.5%-4% BATCH PN 0-1573806-1	ORANGE RAL 2003	1	○
B	9-2177063-3	6	120	1	9-2177065-2	-	LEVER, 3POS, 180 DEG Spannhebel, 3pos, 180 Grad	PA66-GF30 PN 0-0704115-1 W. 1-5% BATCH PN 1-1192910-5	WHITE / weiss RAL 9010 (9011)	4	△
				1	-	9-2177066-2	3POS, MCON-1.2, REC HSG, 180 DEG, Assy 3pol. MCON-1.2, Dichtungshalter, 180 Grad, Assy	-	-	3	
				1	9-2208443-1	-	RADIAL SEAL 23.9x67.3 Radialdichtung	Silopren LSR 3485/35A PN 0-0704300-1/-2	NATURAL RAL 9001	2	
				1	9-2177064-2	-	3POS, 8MM HV, REC HSG, 180 DEG, SEALED 3pol. Gehäuse, 8mm HV, REC HSG, 180 Grad, gedichtet	PA66-GF30 PN 0-0702281-1 W. 2.5%-4% BATCH PN 0-1573806-1	ORANGE RAL 2003	1	△
A	9-2177063-2	6	120	1	9-2177065-1	-	LEVER, 3POS, 180 DEG Spannhebel, 3pos, 180 Grad	PA66-GF30 PN 0-0704115-1	BLACK / schwarz RAL 9005 (9011)	4	○
				1	-	9-2177066-2	3POS, MCON-1.2, REC HSG, 180 DEG, Assy 3pol. MCON-1.2, Dichtungshalter-Assy, 180 Grad	-	-	3	
				1	9-2208443-1	-	RADIAL SEAL 23.9x67.3 Radialdichtung	Silopren LSR 3485/35A PN 0-0704300-1/-2	NATURAL RAL 9001	2	
				1	9-2177064-1	-	3POS, 8MM HV, REC HSG, 180 DEG, SEALED 3pol. Gehäuse, 8mm HV, REC HSG, 180 Grad, gedichtet	PA66-GF30 PN 0-0702281-1 W. 2.5%-4% BATCH PN 0-1573806-1	ORANGE RAL 2003	1	○
A	9-2177063-1	6	120	1	9-2177065-1	-	LEVER, 3POS, 180 DEG Spannhebel, 3pos, 180 Grad	PA66-GF30 PN 0-0704115-1	BLACK / schwarz RAL 9005 (9011)	4	△
				1	-	9-2177066-2	3POS, MCON-1.2, REC HSG, 180 DEG, Assy 3pol. MCON-1.2, Dichtungshalter, 180 Grad, Assy	-	-	3	
				1	9-2208443-1	-	RADIAL SEAL 23.9x67.3 Radialdichtung	Silopren LSR 3485/35A PN 0-0704300-1/-2	NATURAL RAL 9001	2	
				1	9-2177064-1	-	3POS, 8MM HV, REC HSG, 180 DEG, SEALED 3pol. Gehäuse, 8mm HV, REC HSG, 180 Grad, gedichtet	PA66-GF30 PN 0-0702281-1 W. 2.5%-4% BATCH PN 0-1573806-1	ORANGE RAL 2003	1	△



9- -1 AS SHOWN wie gezeichnet



9- -2 AS SHOWN wie gezeichnet

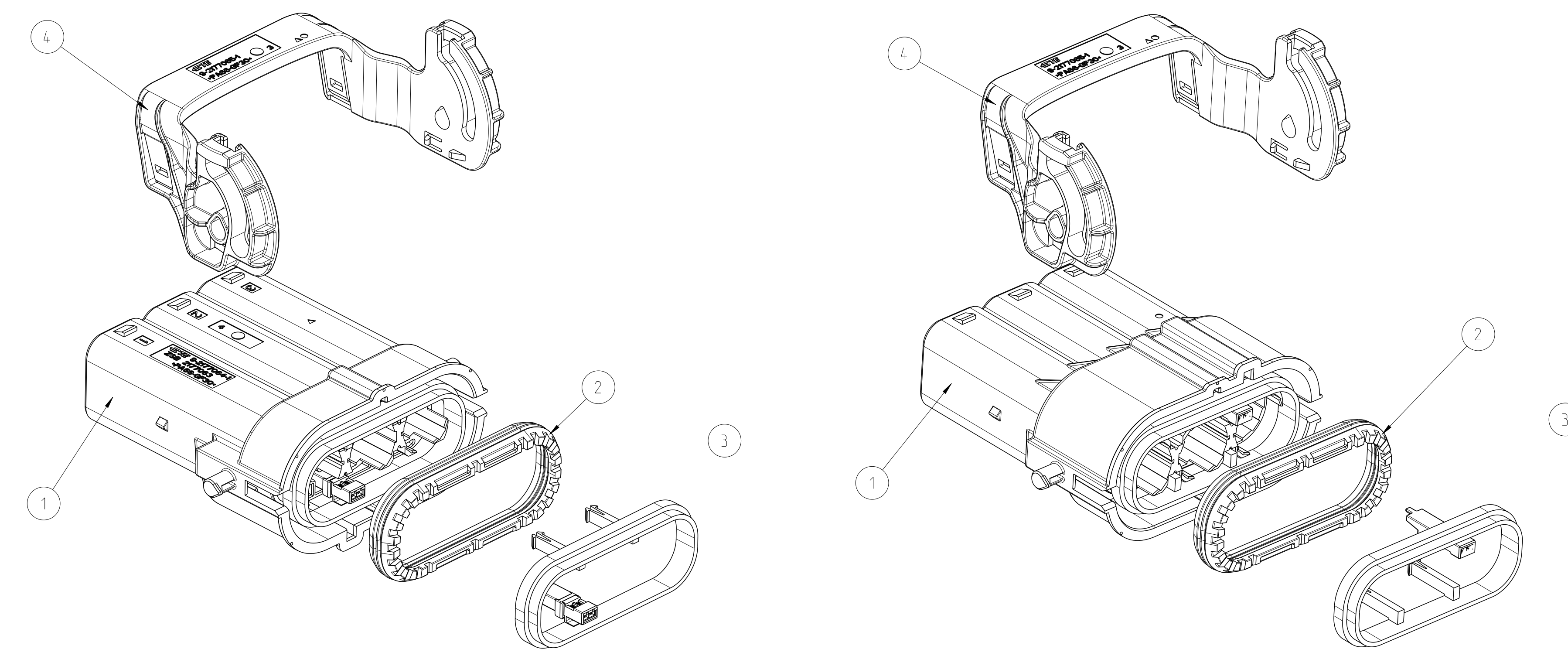
OBSOLETE

NOTE Bem.	FEATURE Merkmal
△	PRODUCT-SPEC. 108-94297 Produkt-Spez.
△	APPLICATION-SPEC. 114-94130 Verarbeitungs-Spez.
THIS DRAWING IS A CONTROLLED DOCUMENT.	
DIMENSIONS: (mm)	DATE: 09AUG2012
0 P L C 1 P L C 2 P L C 3 P L C 4 P L C 5 P L C 6 P L C 7 P L C 8 P L C 9 P L C	REV: 09AUG2012
MATERIAL:	APPROVED: [Signature]
FINISH:	DATE: 09AUG2012
Customer Drawing	SCALE: 1:1
	SHEET: 2 of 3
	REV: 0

LOC	DIST	REV	DATE	BY	APPD
A1	-	1	-	-	-

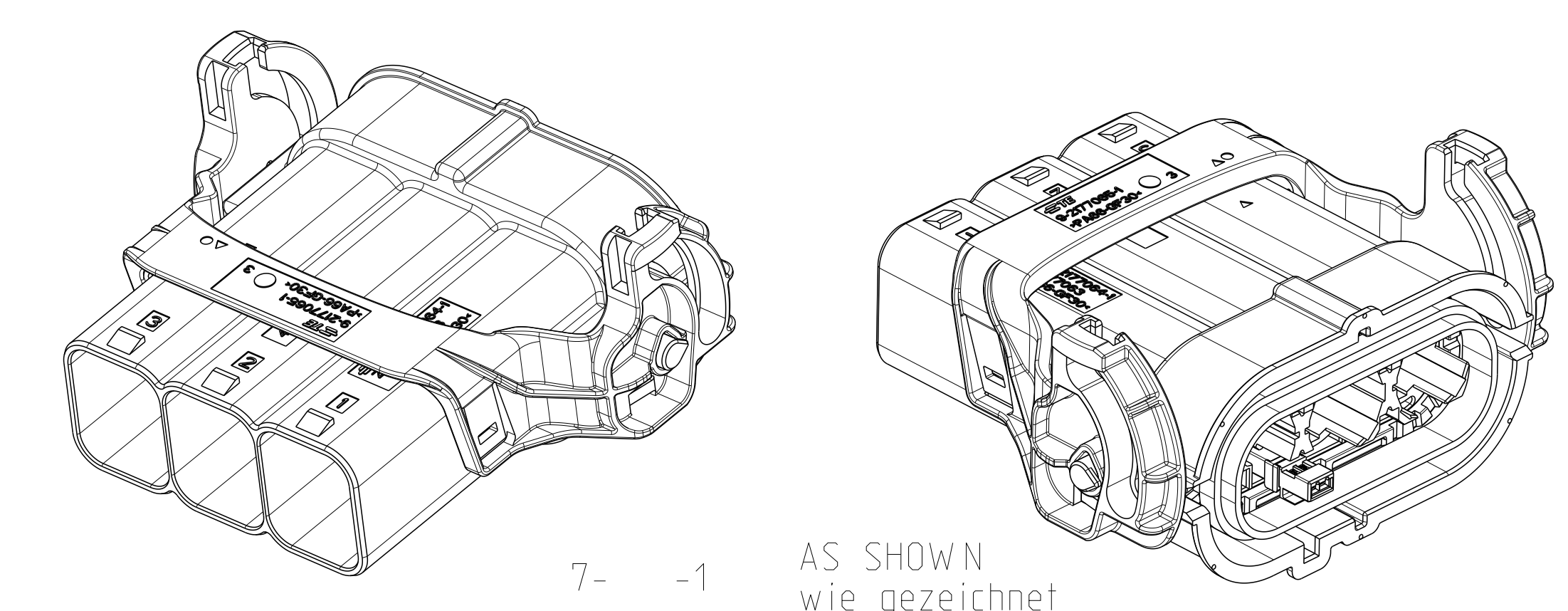
Codings see sheet 2.
 Kodierungen siehe Blatt 2

NOTES SEE SHEET 2
 Bemerkungen siehe Seite 2

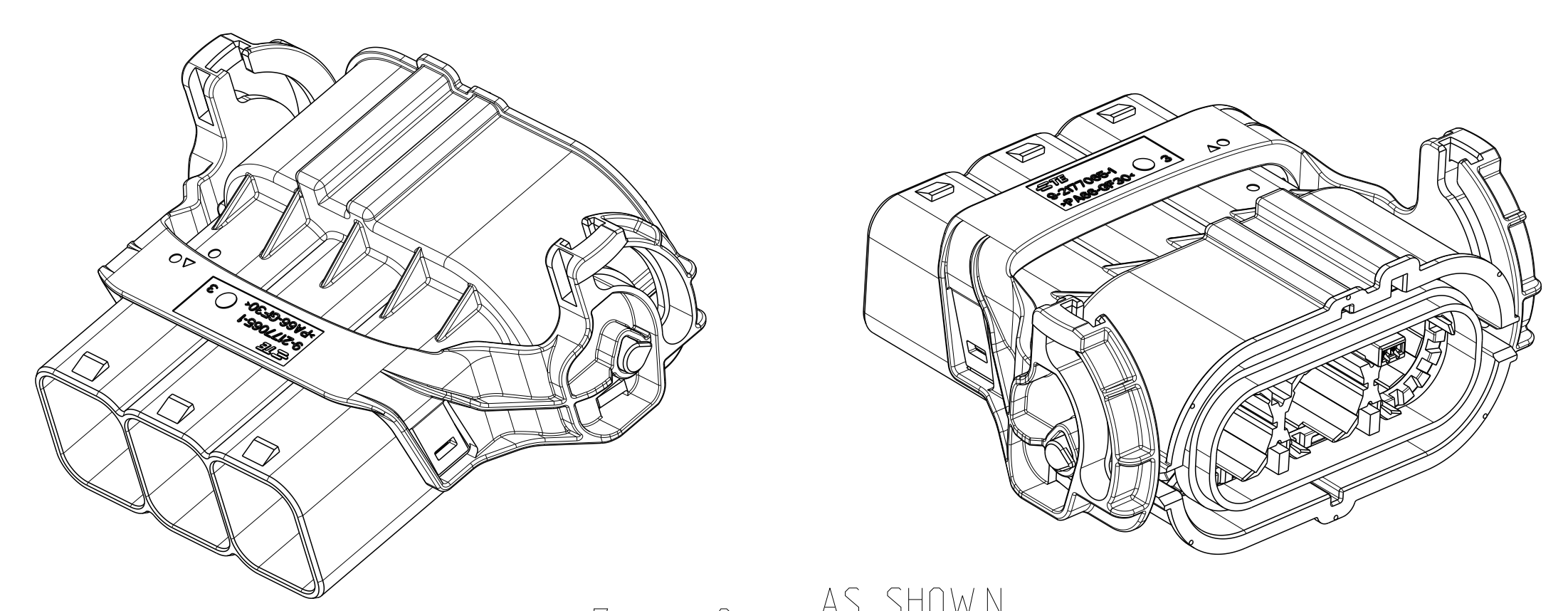


7- -1 AS SHOWN
 wie gezeichnet

7- -2 AS SHOWN
 wie gezeichnet



7- -1 AS SHOWN
 wie gezeichnet



7- -2 AS SHOWN
 wie gezeichnet

OBSOLETE

COD.	TE ASSY-NO.	REV	WEIGHT (g)	QTY	TE PART-NO.	TE SUB-ASSY-NO.	DESCRIPTION	MATERIAL	SURFACE COLOUR	ITEM	SYMBOL
B	7-2177063-4	5	120	1	9-2177065-2	-	LEVER, 3POS, 180 DEG Spannhebel, 3pos, 180 Grad	PA66-GF30 PN 0-0704115-1 W. 1-15% BATCH PN 1-1192910-5	WHITE / weiss RAL 9010 (9011)	4	○
				1	-	9-2177066-2	3POS, MCON-1.2, REC HSG, 180 DEG, Assy 3pol, MCON-1.2, Dichtungshalter, 180 Grad, Assy	-	-	3	
				1	9-2141164-1	-	RADIAL SEAL 23.9x67.3 Radialdichtung	Silopren LSR 3485/35A PN 0-0704300-1/-2	NATURAL RAL 9001	2	
				1	9-2177064-2	-	3POS, 8MM HV, REC HSG, 180 DEG, SEALED 3pol Gehaeuse, 8mm HV, REC HSG, 180 Grad, gedichtet	PA66-GF30 PN 0-0702281-1 W. 2.5%-4% BATCH PN 0-1573806-1	ORANGE RAL 2003	1	○
B	7-2177063-3	5	120	1	9-2177065-2	-	LEVER, 3POS, 180 DEG Spannhebel, 3pos, 180 Grad	PA66-GF30 PN 0-0704115-1 W. 1-15% BATCH PN 1-1192910-5	WHITE / weiss RAL 9010 (9011)	4	△
				1	-	9-2177066-2	3POS, MCON-1.2, REC HSG, 180 DEG, Assy 3pol, MCON-1.2, Dichtungshalter, 180 Grad, Assy	-	-	3	
				1	9-2208443-1	-	RADIAL SEAL 23.9x67.3 Radialdichtung	Silopren LSR 3485/35A PN 0-0704300-1/-2	NATURAL RAL 9001	2	
				1	9-2177064-2	-	3POS, 8MM HV, REC HSG, 180 DEG, SEALED 3pol Gehaeuse, 8mm HV, REC HSG, 180 Grad, gedichtet	PA66-GF30 PN 0-0702281-1 W. 2.5%-4% BATCH PN 0-1573806-1	ORANGE RAL 2003	1	△
A	7-2177063-2	5	120	1	9-2177065-1	-	LEVER, 3POS, 180 DEG Spannhebel, 3pos, 180 Grad	PA66-GF30 PN 0-0704115-1	BLACK / schwarz RAL 9005 (9011)	4	○
				1	-	9-2177066-2	3POS, MCON-1.2, REC HSG, 180 DEG, Assy 3pol, MCON-1.2, Dichtungshalter-Assy, 180 Grad	-	-	3	
				1	9-2208443-1	-	RADIAL SEAL 23.9x67.3 Radialdichtung	Silopren LSR 3485/35A PN 0-0704300-1/-2	NATURAL RAL 9001	2	
				1	9-2177064-1	-	3POS, 8MM HV, REC HSG, 180 DEG, SEALED 3pol Gehaeuse, 8mm HV, REC HSG, 180 Grad, gedichtet	PA66-GF30 PN 0-0702281-1 W. 2.5%-4% BATCH PN 0-1573806-1	ORANGE RAL 2003	1	○
A	7-2177063-1	5	120	1	9-2177065-1	-	LEVER, 3POS, 180 DEG Spannhebel, 3pos, 180 Grad	PA66-GF30 PN 0-0704115-1	BLACK / schwarz RAL 9005 (9011)	4	△
				1	-	9-2177066-2	3POS, MCON-1.2, REC HSG, 180 DEG, Assy 3pol, MCON-1.2, Dichtungshalter, 180 Grad, Assy	-	-	3	
				1	9-2208443-1	-	RADIAL SEAL 23.9x67.3 Radialdichtung	Silopren LSR 3485/35A PN 0-0704300-1/-2	NATURAL RAL 9001	2	
				1	9-2177064-1	-	3POS, 8MM HV, REC HSG, 180 DEG, SEALED 3pol Gehaeuse, 8mm HV, REC HSG, 180 Grad, gedichtet	PA66-GF30 PN 0-0702281-1 W. 2.5%-4% BATCH PN 0-1573806-1	ORANGE RAL 2003	1	△

THIS DRAWING IS A CONTROLLED DOCUMENT.		DATE: 09AUG2012	BY: J. Toboldt	APPD: H. Yu	REV: 1
DIMENSIONS: (mm)		DATE: 09AUG2012	BY: M. Eckel	APPD: M. Eckel	REV: 1
MATERIAL: -		DATE: -	BY: -	APPD: -	REV: -
FINISH: -		DATE: -	BY: -	APPD: -	REV: -
Customer Drawing		SCALE: 1:1	SHEET: 3 of 3	REV: 1	QTY: -

X-ON Electronics

Largest Supplier of Electrical and Electronic Components

Click to view similar products for [Automotive Connectors](#) category:

Click to view products by [TE Connectivity](#) manufacturer:

Other Similar products are found below :

[003-018-000](#) [60403001](#) [60993906-B](#) [M902-2131](#) [M902-2161](#) [M902-2344](#) [72.330.1035.1](#) [73.353.4028.0](#) [F119300-B](#) [F166900](#) [F258300-B](#)
[F358300-B](#) [F407400](#) [F444110](#) [F487000](#) [F509500B-B](#) [827153-1](#) [8N1515-32-24P](#) [9-1326729-8](#) [925474-1](#) [928905-1](#) [964562-4](#) [968782-1](#)
[GT17SA-8DS-HU](#) [98891-1012](#) [98947-1016](#) [12004147](#) [12004475-L](#) [12010290](#) [12010309-B](#) [12015454](#) [12020219-B](#) [12041318-B](#) [12052225-](#)
[L](#) [12052466](#) [12064869](#) [12004327-B](#) [12015308](#) [12015384](#) [12015909](#) [1-21030-1](#) [12041254](#) [12041318](#) [12047946-B](#) [12047957](#) [12047957-L](#)
[12059473](#) [12066261](#) [12110546](#) [12110546-B](#)