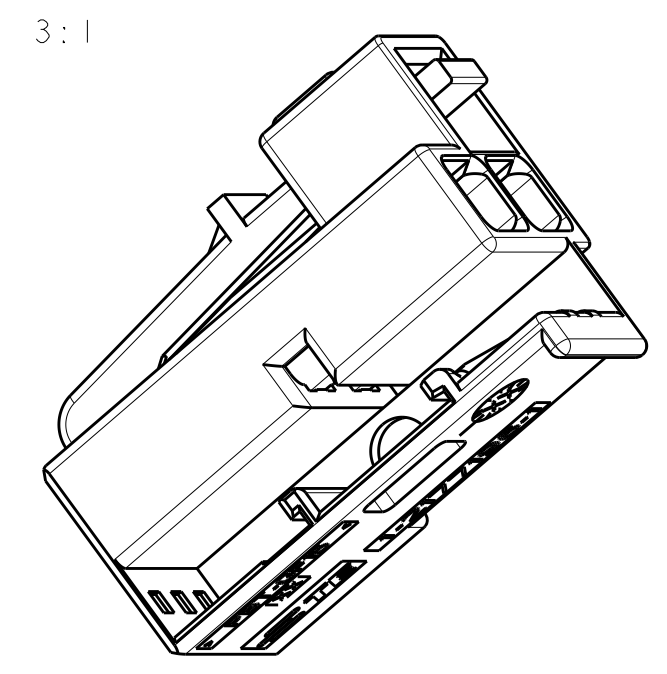
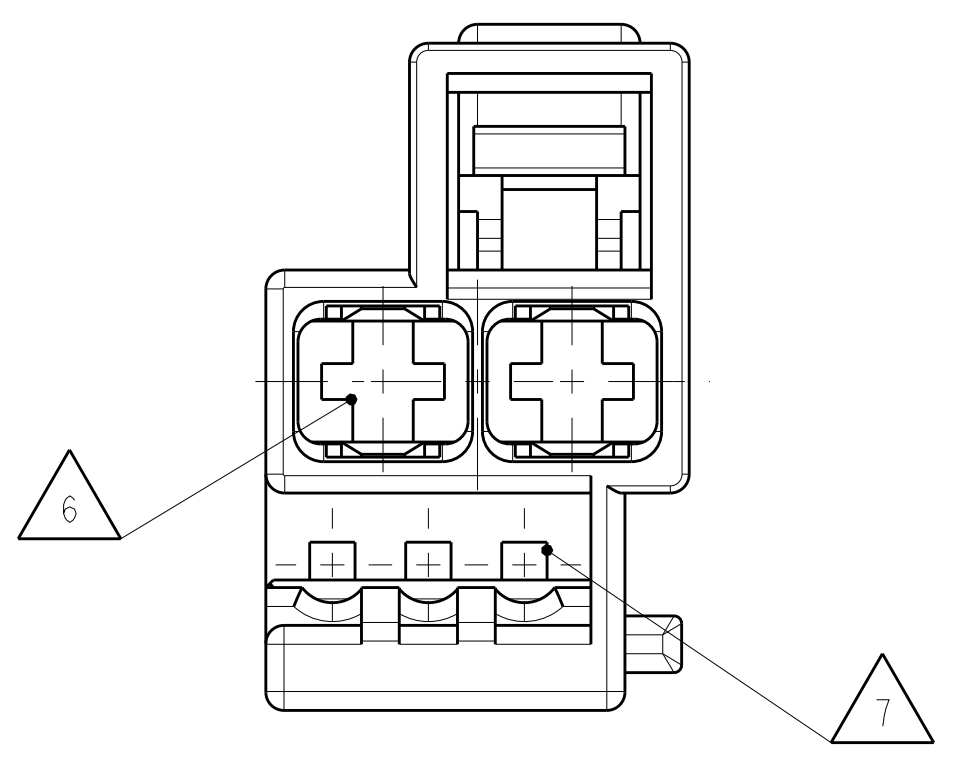
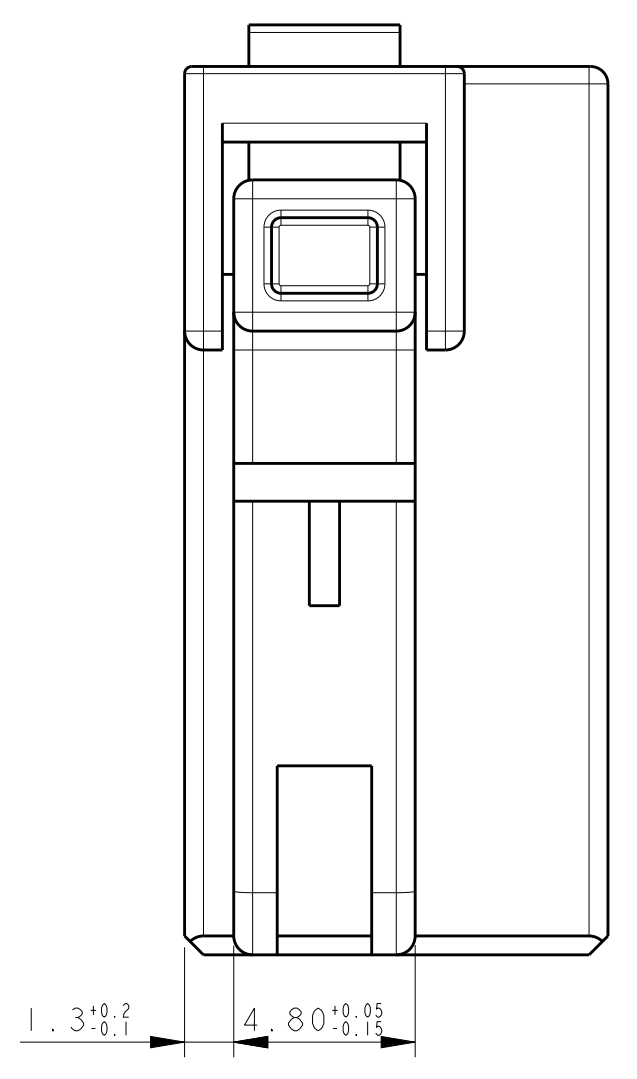
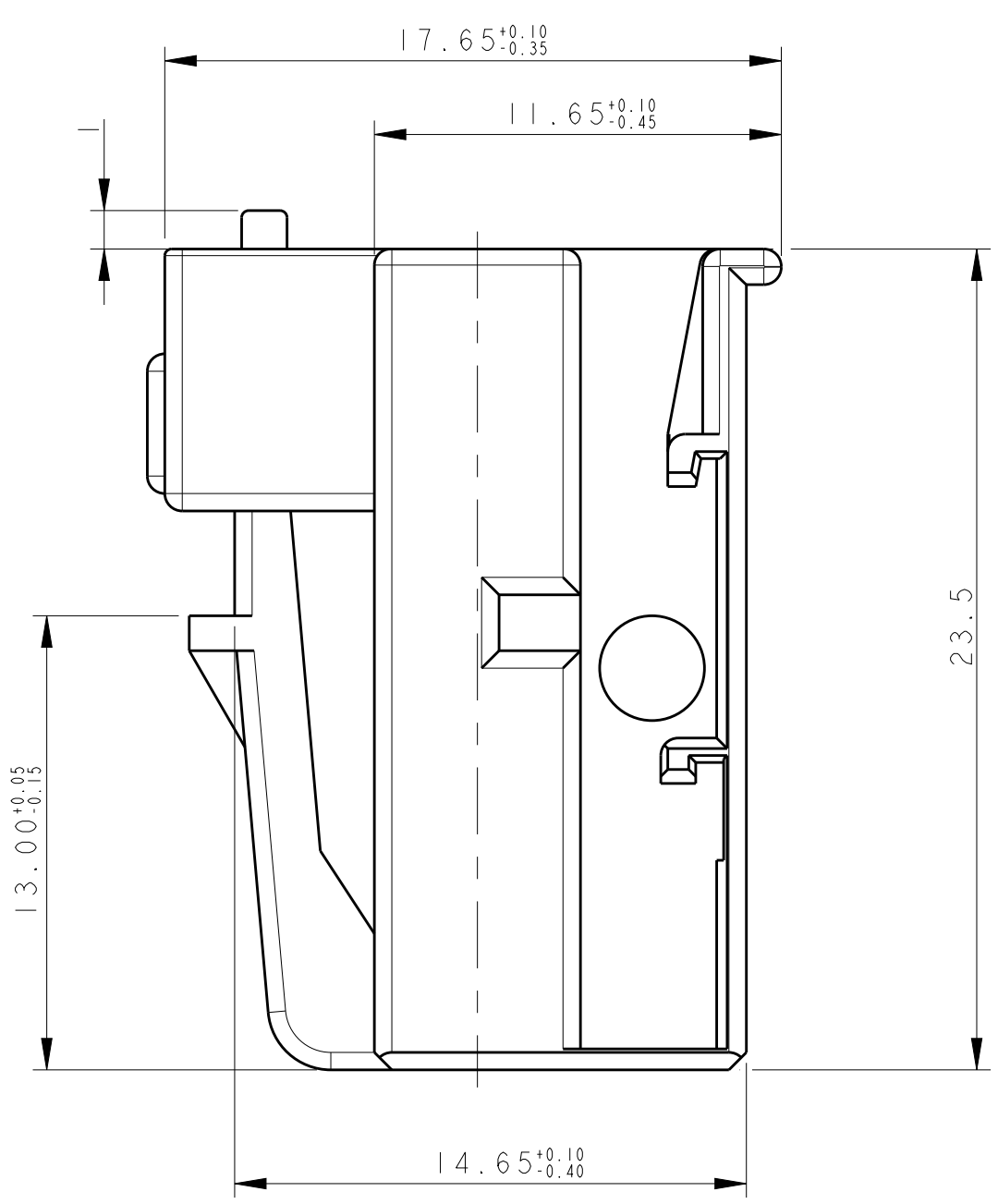
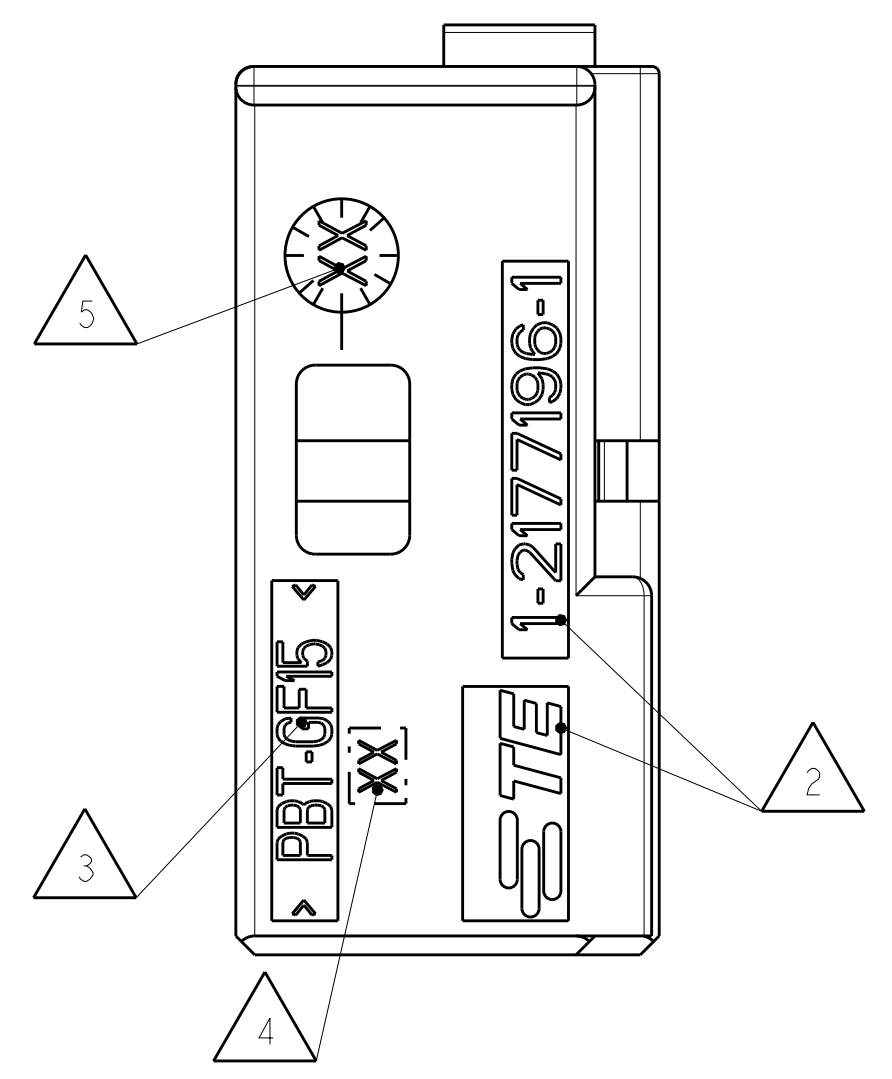
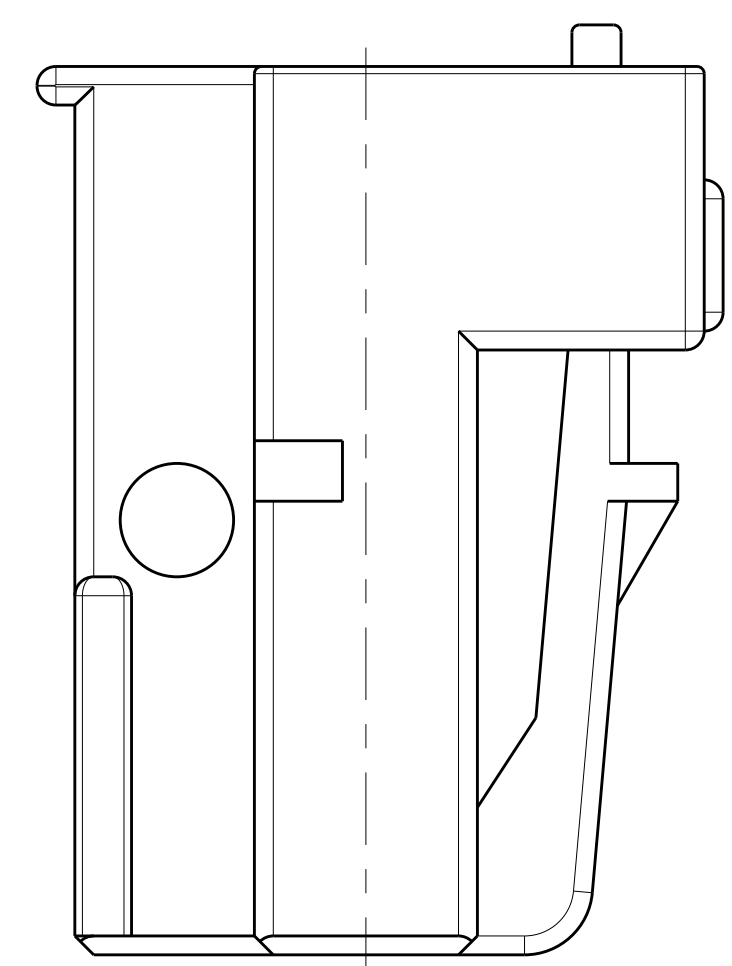
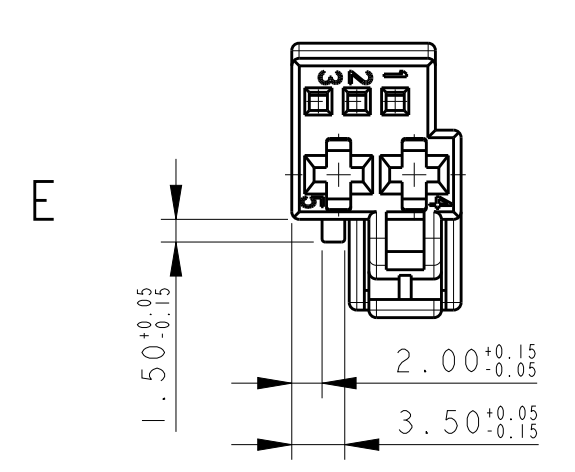
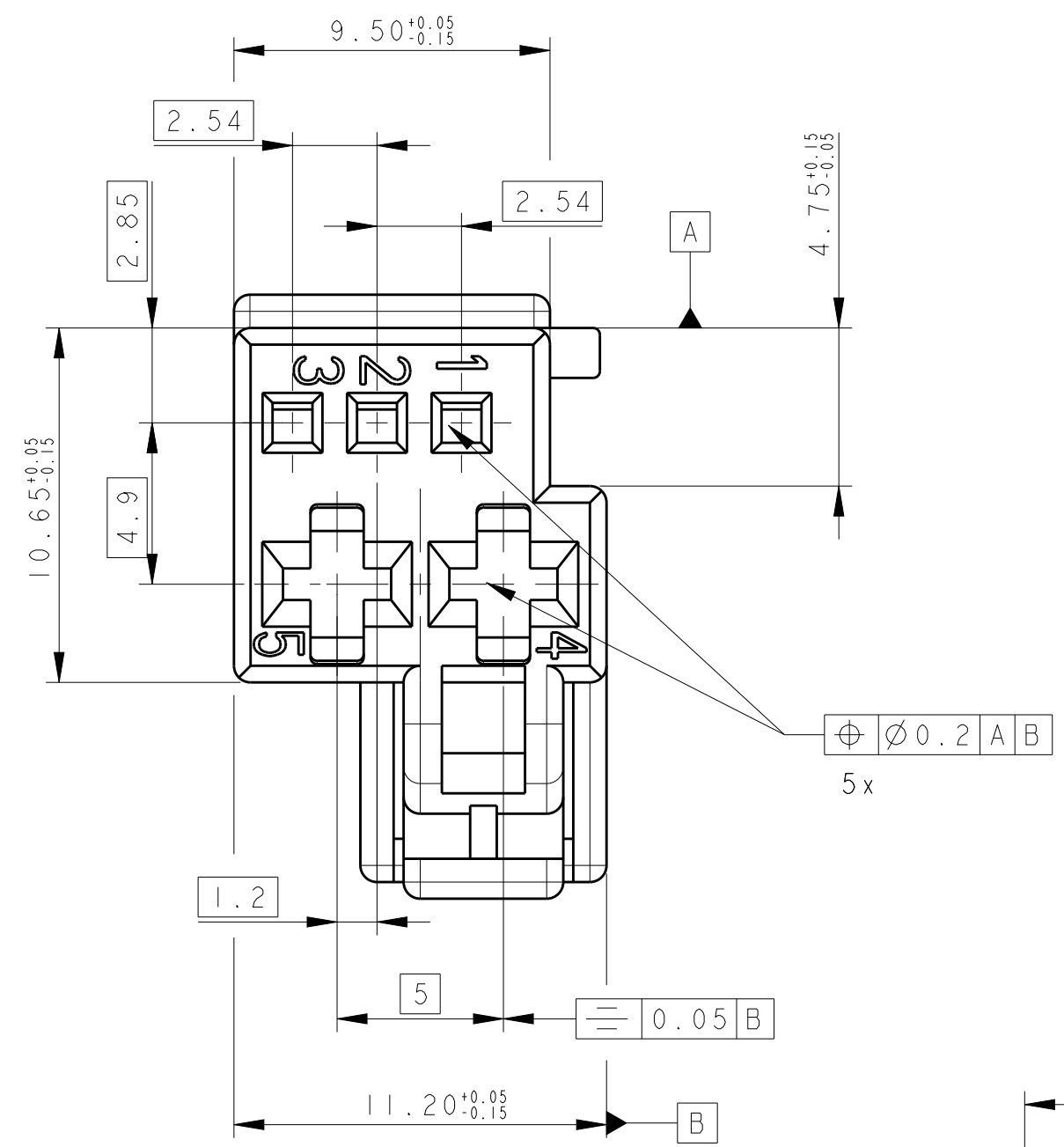
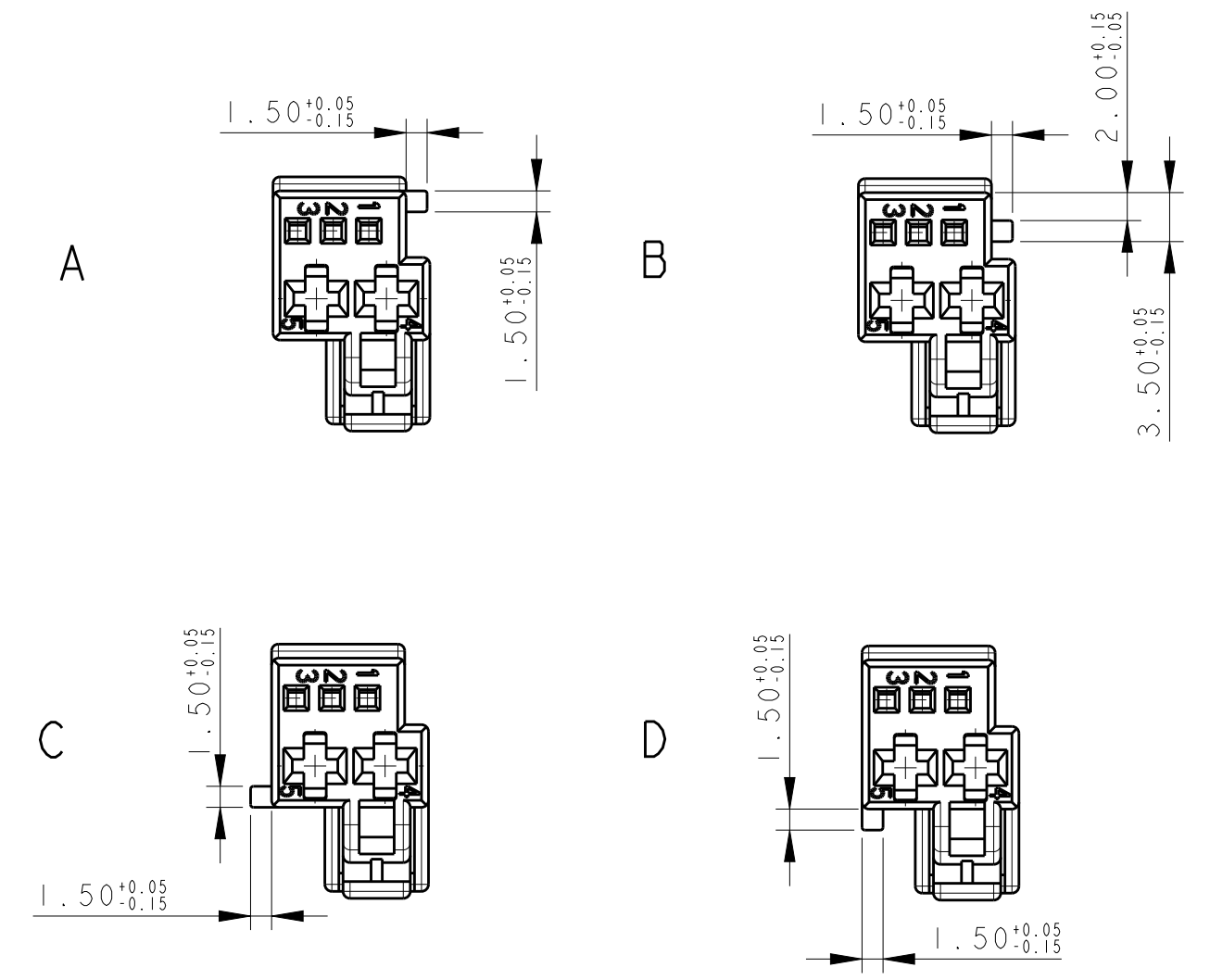


LOC		DIST		REVISIONS			
P	LTN	DESCRIPTION	DATE	DWN	APVD		
A1		RELEASED PER ECO 13-003094	27FEB2013	M.B.	M.B.		

CODINGS
2:1



- NOTES
- CODING 1- -1 AS SHOWN
 - SUPPLIER-LOGO
 - MATERIAL IDENTIFICATION
 - MOLD CAVITY MARKING.
 - DATE INSERT
 - CAVITIES SUITABLE FOR TE MCP 2.8 CONTACT PN 1355036
 - SLOT SUITABLE FOR TE HOUSING FOR MQS CONTACTS PN 2177231
 - FOR COUNTERPART INTERFACE DRAWING SEE SHEET 2 OF 2

DESCRIPTION	MASS (Kg)	COD.	TE ORDER-NO.	REV.	MATERIAL	SURFACE
SOCKET HOUSING, 5POS	0,00179	E	5-2177196-1	I	PBT-GF15	GREEN
SOCKET HOUSING, 5POS	0,00179	D	4-2177196-1	I	PBT-GF15	VIOLET
SOCKET HOUSING, 5POS	0,00179	C	3-2177196-1	I	PBT-GF15	BLUE
SOCKET HOUSING, 5POS	0,00179	B	2-2177196-1	I	PBT-GF15	NATURAL
SOCKET HOUSING, 5POS	0,00179	A	1-2177196-1	I	PBT-GF15	BLACK

THIS DRAWING IS A CONTROLLED DOCUMENT.

DIMENSIONS: mm

TOLERANCES UNLESS OTHERWISE SPECIFIED:

0 PLC	±.15
1 PLC	±.10
2 PLC	±.10
3 PLC	±.
4 PLC	±.
ANGLES	±.2°

MATERIAL: SEE TABLE

FINISH: SEE TABLE

WEIGHT: SEE TABLE

Customer Drawing

OWN: M. POLIZZI 09MAY2011
 CHK: M. GURLINO 09MAY2011
 APVD: A. GENTA 09MAY2011

NAME: SOCKET HOUSING, 5POS (2xAMP MCP2.8 3xMQS)

PRODUCT SPEC: 108-20320
 APPLICATION SPEC:

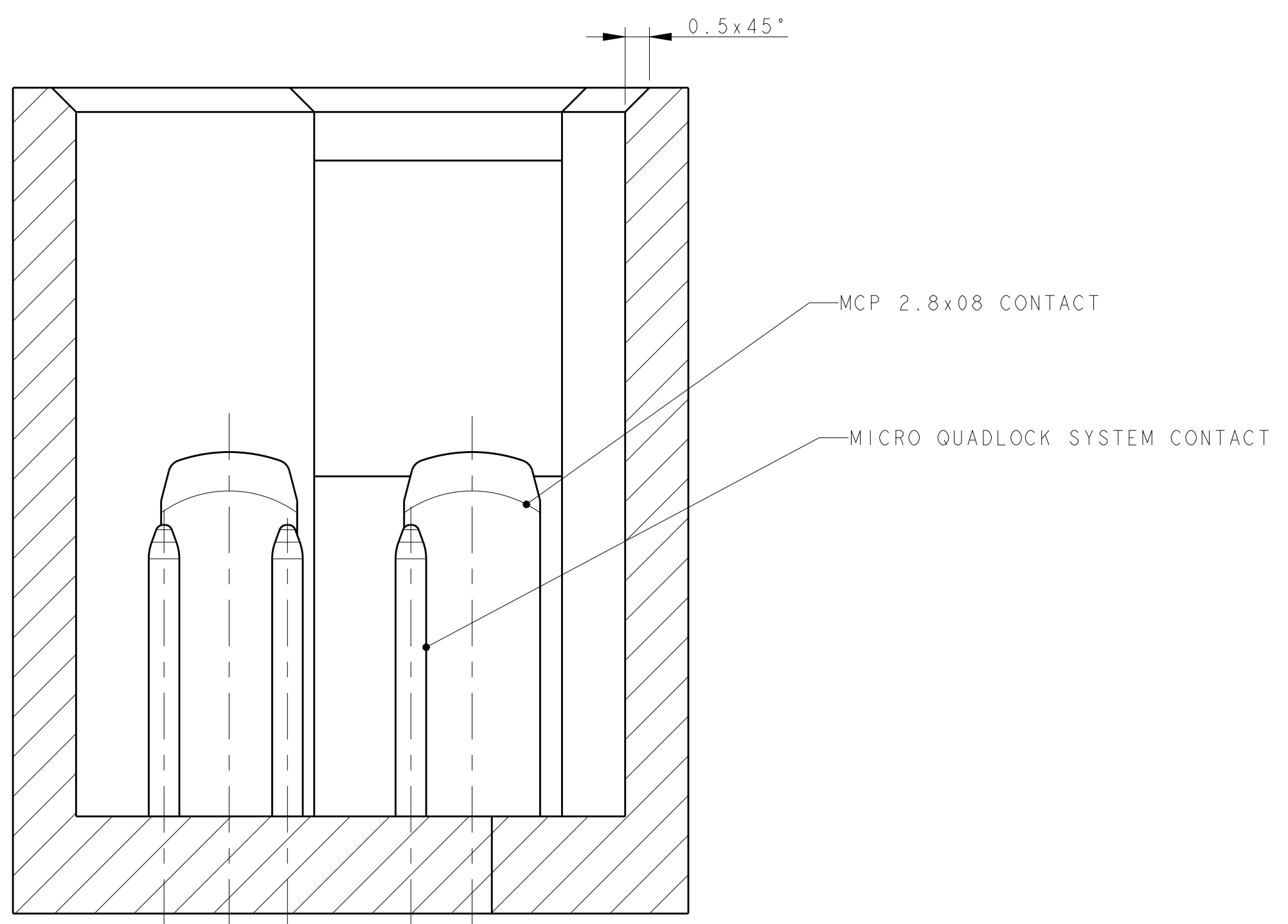
SIZE: A100779
 CAGE CODE: C=2177196
 DRAWING NO: 108-20320

RESTRICTED TO: -

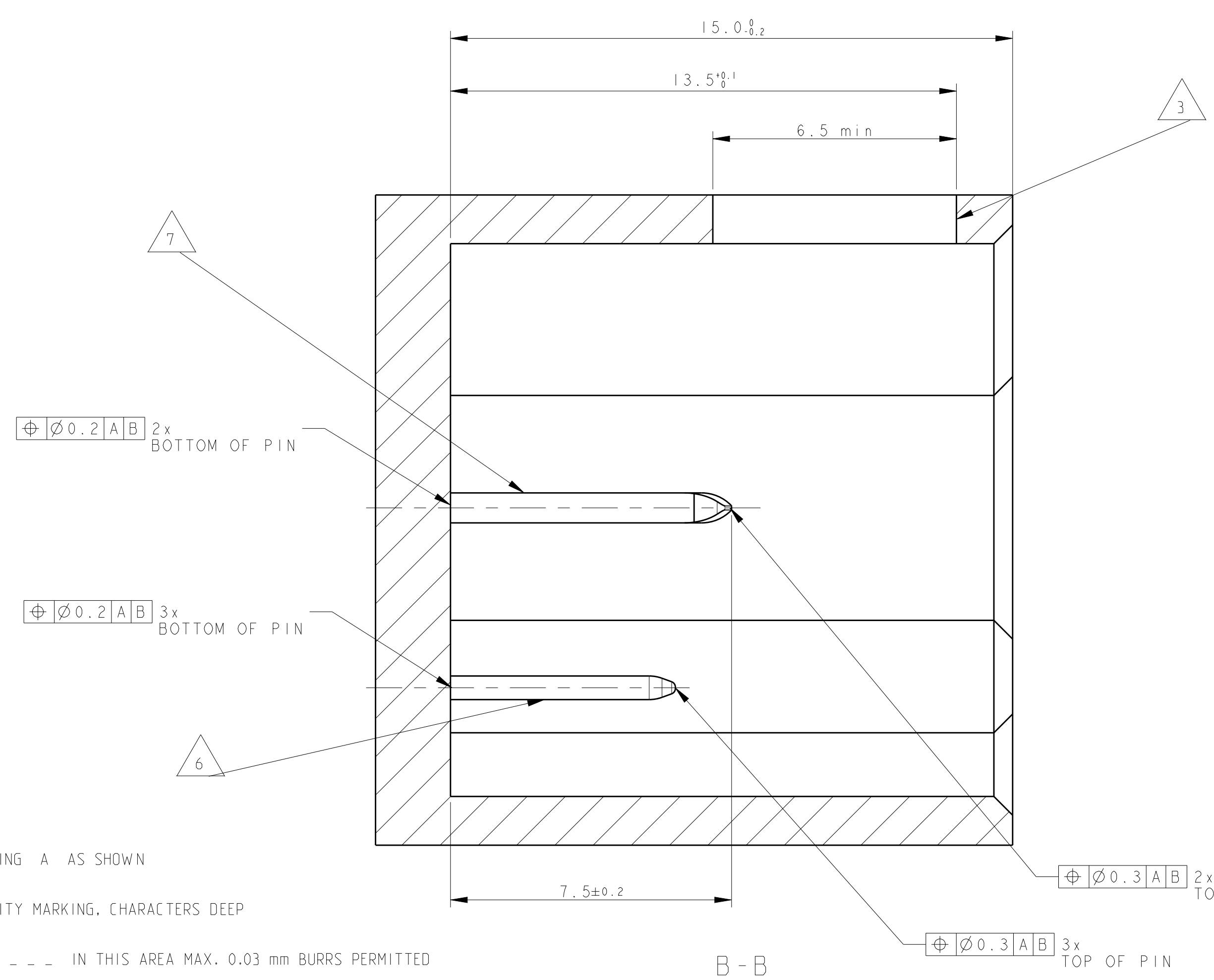
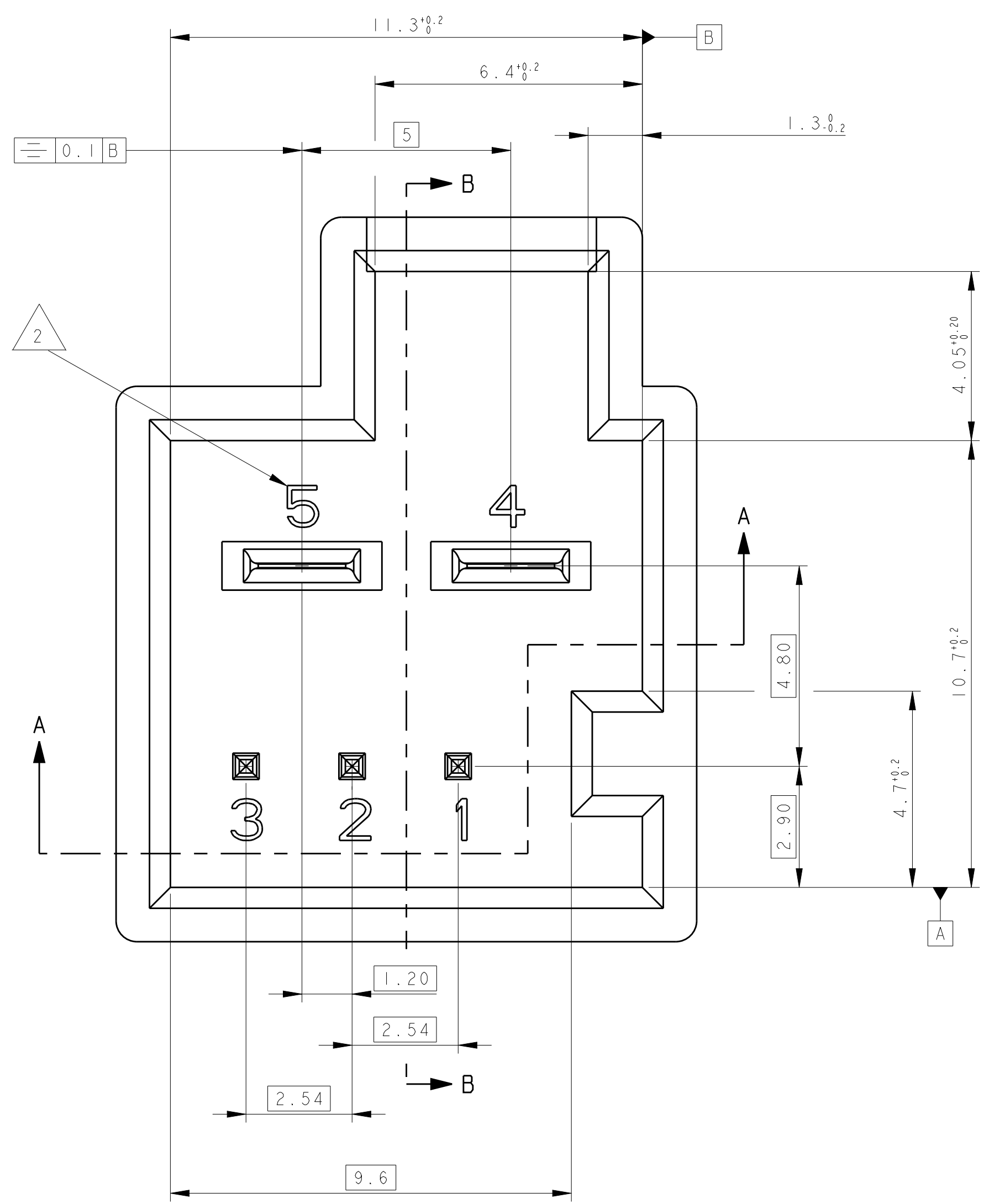
SCALE: 5:1 SHEET 1 OF 2 REV: A1

LOC	DIST	REV	DATE	APPV
		1		

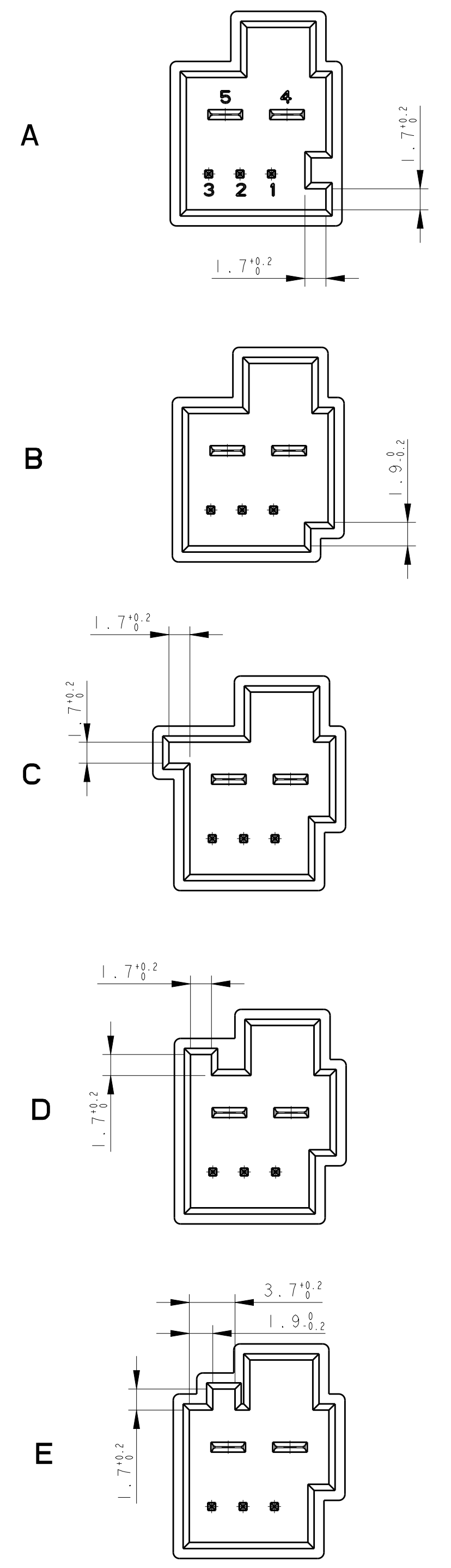
REVISIONS
SCALE 3:1



A - A



B - B



- NOTES:
- 1 CODING A AS SHOWN
 - 2 CAVITY MARKING, CHARACTERS DEEP
 - 3 - - - - IN THIS AREA MAX. 0.03 mm BURRS PERMITTED
 - 4 NO SPECIFIED RADII R0.5 mm
 - 5 NO SPECIFIED WALL THICKNESS MIN. 1.3 mm
 - 6 SPECIFICATION OF CONTACT PIN MQS No 114-18063
 - 7 SPECIFICATION OF CONTACT TAB 2.8x0.8 No 114-18230-002
 - 8 HEADER MATERIAL: PBT-GF15
 - 9 COUNTERPART SUITABLE FOR 5 POSITIONS SOCKET HOUSING: 2xMCP 2.8. 3xMQS TE PN 2177196

THIS DRAWING IS A CONTROLLED DOCUMENT.		OWN M. POLIZZI 09MAY2011	
DIMENSIONS: mm		CHK M. GURLINO 09MAY2011	
TOLERANCES UNLESS OTHERWISE SPECIFIED:		APPV A. GENTA 09MAY2011	NAME
0 PLC ±.15	1 PLC ±.10	PRODUCT SPEC	SOCKET HOUSING, 5POS
2 PLC ±.10	3 PLC ±.10	APPLICATION SPEC	(2xAMP MCP2.8 3xMQS)
4 PLC ±.10	5 PLC ±.10	SIZE	108-20320
ANGLES ±.2		WEIGHT	SEE TABLE
MATERIAL SEE TABLE	FINISH SEE TABLE	Customer Drawing	SCALE 5:1
6	7	8	SHEET 2 OF 2

X-ON Electronics

Largest Supplier of Electrical and Electronic Components

Click to view similar products for [Automotive Connectors](#) category:

Click to view products by [TE Connectivity](#) manufacturer:

Other Similar products are found below :

[003-018-000](#) [60403001](#) [60993906-B](#) [M902-2131](#) [M902-2161](#) [M902-2344](#) [72.330.1035.1](#) [73.353.4028.0](#) [F119300-B](#) [F166900](#) [F258300-B](#)
[F358300-B](#) [F407400](#) [F444110](#) [F487000](#) [F509500B-B](#) [827153-1](#) [8N1515-32-24P](#) [9-1326729-8](#) [925474-1](#) [928905-1](#) [964562-4](#) [968782-1](#)
[GT17SA-8DS-HU](#) [98891-1012](#) [98947-1016](#) [12004147](#) [12004475-L](#) [12010290](#) [12010309-B](#) [12015454](#) [12020219-B](#) [12041318-B](#) [12052225-](#)
[L](#) [12052466](#) [12064869](#) [12004327-B](#) [12015308](#) [12015384](#) [12015909](#) [1-21030-1](#) [12041254](#) [12041318](#) [12047946-B](#) [12047957](#) [12047957-L](#)
[12059473](#) [12066261](#) [12110546](#) [12110546-B](#)