

THIS DRAWING IS UNPUBLISHED.

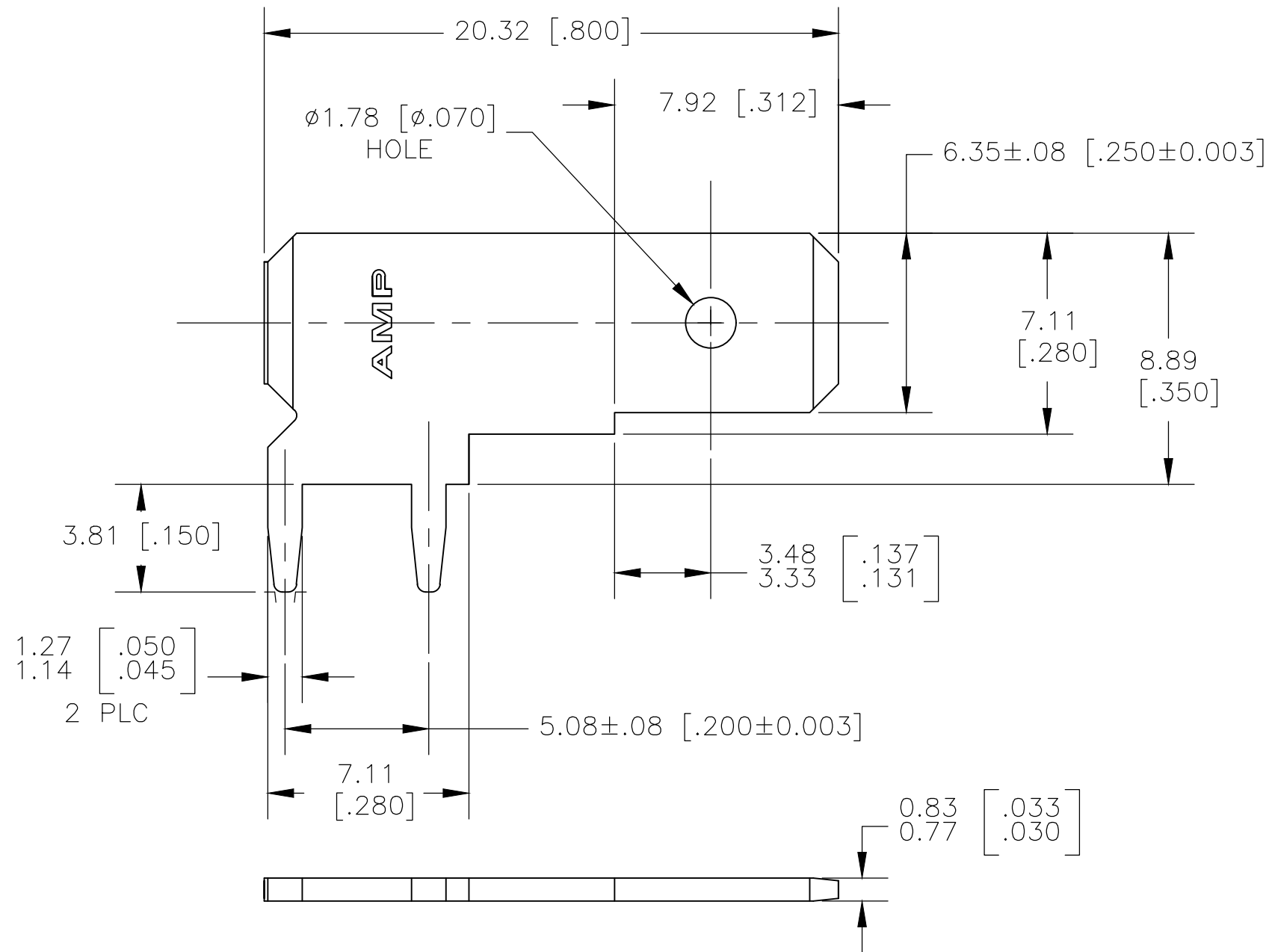
RELEASED FOR PUBLICATION

ALL RIGHTS RESERVED.

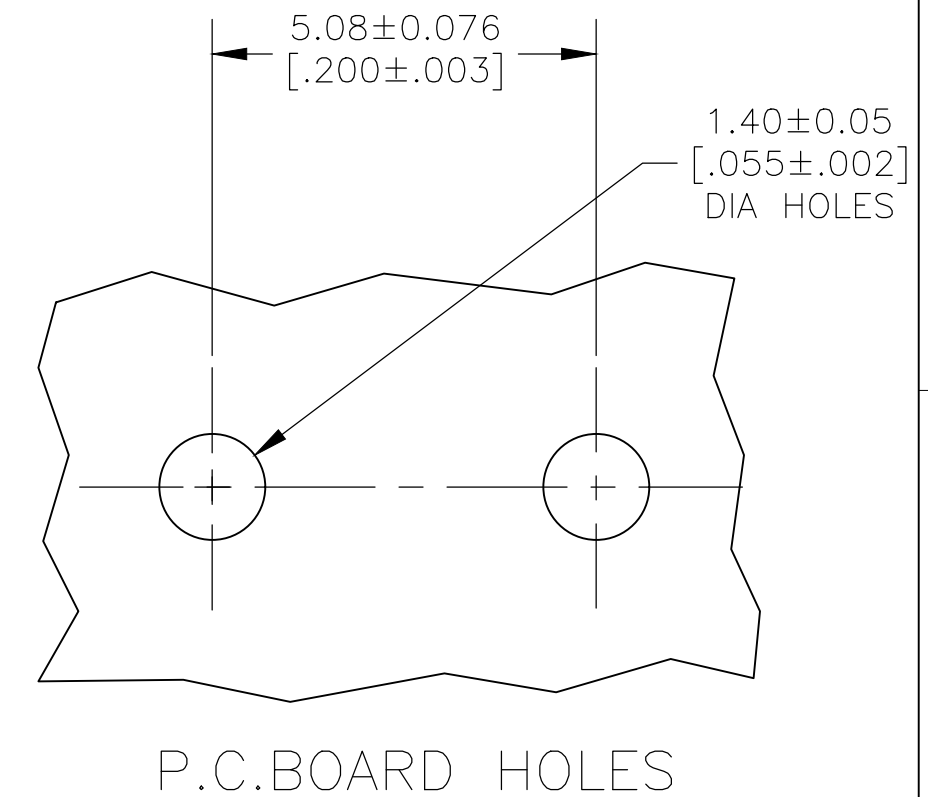
© COPYRIGHT - By -

REVISIONS

| P  | LTR | DESCRIPTION               | DATE      | DWN | APVD |
|----|-----|---------------------------|-----------|-----|------|
| D1 |     | REVISED PER ECR-18-005284 | 18APR2018 | RS  | PD   |



- 1 SUPPLIED IN LOOSE PIECE
- 2 0.00381 [.000150] MIN TIN OVER  
0.00127 [.000050] MIN NICKEL.
- 3 0.00305 [.000120] MIN SILVER OVER  
0.00127 [.000050] MIN NICKEL



|        |           |
|--------|-----------|
| 3      | 1217754-2 |
| 2      | 1217754-1 |
| FINISH | PART NO.  |

|  |  |                  |           |   |                                 |                  |           |            |               |
|--|--|------------------|-----------|---|---------------------------------|------------------|-----------|------------|---------------|
| THIS DRAWING IS A CONTROLLED DOCUMENT. |  | DWN              | JR RUTH   | 07NOV01   | <b>STE</b> TE Connectivity Ltd. |                  |           |            |               |
| DIMENSIONS:<br>INCHES                  |  | CHK              | N DEIBERT | 07NOV01   |                                 |                  |           |            |               |
| TOLERANCES UNLESS OTHERWISE SPECIFIED: |  | APVD             | N DEIBERT | 07NOV01   | NAME                            |                  |           |            |               |
| 0 PLC ± -                              |  | PRODUCT SPEC     |           | TAB, FASTON,<br>6.35 [.250] SERIES, LOOSE PIECE |                                 |                  |           |            |               |
| 1 PLC ± -                              |  | APPLICATION SPEC |           | 114-2115  |                                 | SIZE             | CAGE CODE | DRAWING NO | RESTRICTED TO |
| 2 PLC ± 0.25 [.010]                    |  | MATERIAL         |           | BRASS   |                                 | A300779          |           | G-1217754  |               |
| 3 PLC ± -                              |  | FINISH           |           | SEE TABLE                                       |                                 | CUSTOMER DRAWING |           | SCALE      | 5:1           |
| 4 PLC ± -                              |  | MATERIAL         |           | BRASS   |                                 | SHEET            |           | 1 OF 1     |               |
| ANGLES ± -                             |  | MATERIAL         |           | BRASS   |                                 | REV              |           | D1         |               |

## X-ON Electronics

Largest Supplier of Electrical and Electronic Components

*Click to view similar products for [Terminals](#) category:*

*Click to view products by [TE Connectivity](#) manufacturer:*

Other Similar products are found below :

[HT-13-10](#) [71M-250-32-NB](#) [01-2065-1-0216](#) [00581P0075](#) [M10-10RX](#) [M10BCK](#) [60205-1](#) [604200-1](#) [60598-1-CUT-TAPE](#) [60617-1-C](#) [60873-1](#) [M14-516R/SK](#) [M14-6RSX](#) [M18-10FLX](#) [M18-8FBX](#) [M18-8R/LX](#) [M18BCK](#) [61314-6-C](#) [61-S](#) [61-SN-A](#) [62-NBM-A](#) [63-S](#) [640179-1](#) [640917-2-CUT-TAPE](#) [6501550002](#) [66107-2-C](#) [696683-1](#) [696834-1](#) [696861-1](#) [696931-1](#) [696999-1](#) [M8-516RK](#) [M86700006](#) [MA250DMFMX-A](#) [701-2007](#) [701-2307](#) [701-7761-03](#) [70F-110-32-PB](#) [718-N-A](#) [71M-187-20-NBL](#) [71M-250-32-NBL](#) [72F-187-20-NBL](#) [72M-250-32-NBL](#) [7310](#) [73F-250-32](#) [73F-250-32-NBL](#) [73F-250-32-NL](#) [F14-10C](#) [F-1M](#) [751-250](#)