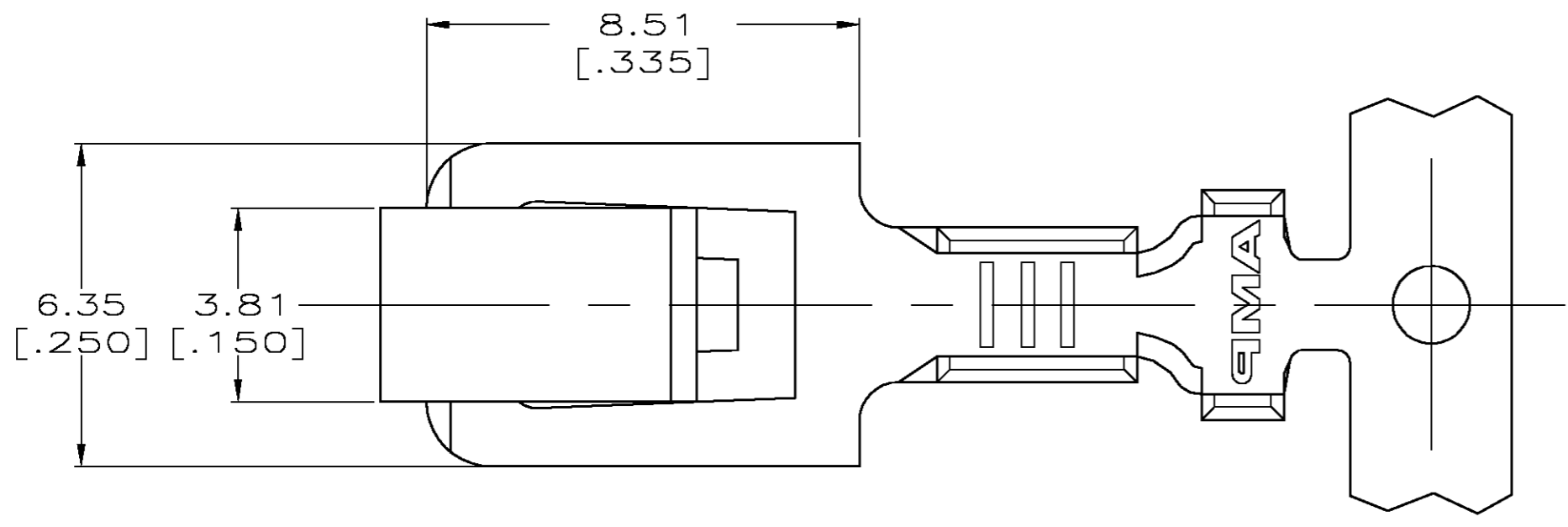
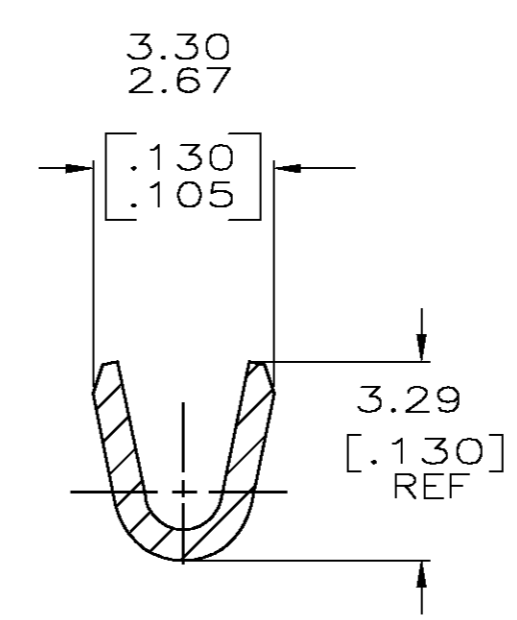
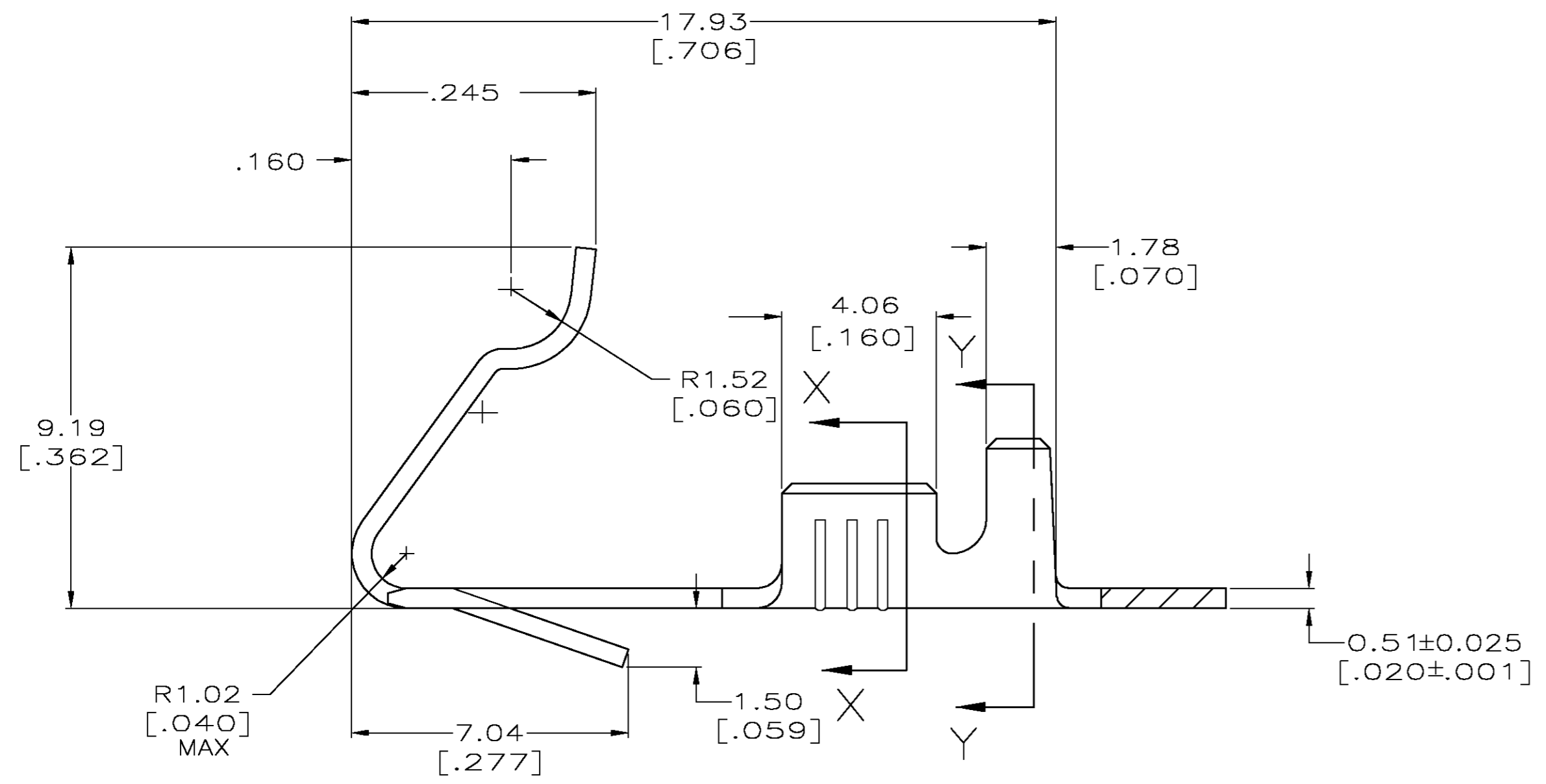


THIS DRAWING IS UNPUBLISHED. RELEASED FOR PUBLICATION
 © COPYRIGHT BY TYCO ELECTRONICS CORPORATION. ALL RIGHTS RESERVED.

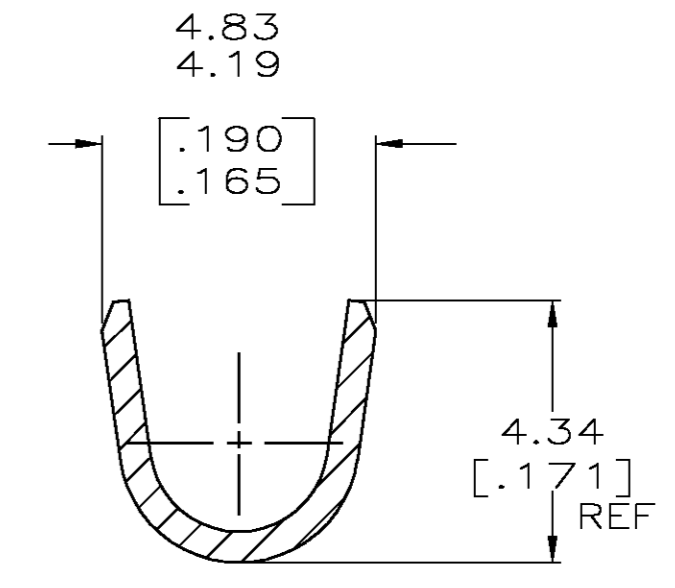
LOC	DIST	REVISIONS					
AF	50	P	LTR	DESCRIPTION	DATE	DWN	APVD
		C		REVISED PER 0G3A-0252-04	05APR04	MF	DD



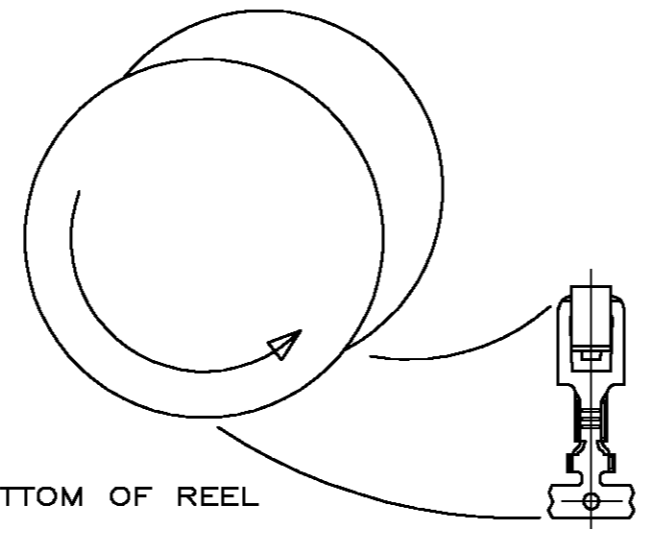
- 1 CONTINUOUS STRIP ON REELS
- 2 WIRE SIZE IS [#20-#16] AWG.
- 3 INSULATION RANGE IS 3.30 [.130] MAX
- ⚠ PRELIMINARY - NOT FOR PRODUCTION.



SECTION X-X



SECTION Y-Y



TERMINALS OFF BOTTOM OF REEL
FOR -2 ONLY

DETAIL D

THIS DRAWING IS A CONTROLLED DOCUMENT.		DWN	30APR2002	Tyco Electronics Corporation Harrisburg, Pa 17105-3608
DIMENSIONS: mm		CHK	30APR2002	
TOLERANCES UNLESS OTHERWISE SPECIFIED:		APVD	30APR2002	
0 PLC ± - 1 PLC ± - 2 PLC ± 0.25 [.010] 3 PLC ± - 4 PLC ± - ANGLES ± -		PRODUCT SPEC		
MATERIAL	FINISH	WEIGHT		NAME
H04 BRASS	0.002032 [.000080] MIN TIN PLATE	-		FLUORESCENT TUBE SOCKET TERMINAL
CUSTOMER DRAWING		SCALE	8:1	RESTRICTED TO
		SHEET	1 OF 1	REV
		CAGE CODE	00779	
		DRAWING NO	C=1217825	

X-ON Electronics

Largest Supplier of Electrical and Electronic Components

Click to view similar products for [Terminals](#) category:

Click to view products by [TE Connectivity](#) manufacturer:

Other Similar products are found below :

[00-054007-01074-6](#) [00-054007-70206-1](#) [00-054007-70210-8](#) [00-054007-70217-7](#) [00-054007-70226-9](#) [00-054007-70228-3](#) [00-054007-70248-1](#) [00-054007-70256-6](#) [00-054007-70301-3](#) [00-054007-70316-7](#) [0-0320562-0](#) [00-054007-49560-4](#) [00-054007-70209-2](#) [00-054007-70225-2](#) [00-054007-70227-6](#) [00-054007-70231-3](#) [00-054007-70241-2](#) [00-054007-70242-9](#) [00-054007-70244-3](#) [00-054007-70246-7](#) [00-054007-70263-4](#) [00-054007-70288-7](#) [00-054007-70290-0](#) [00-054007-70300-6](#) [00-054007-70304-4](#) [01-2065-1-0216](#) [01-2900-1-04412](#) [00581P0075](#) [600TS-10](#) [60205-1](#) [604200-1](#) [605601-1](#) [60598-1-CUT-TAPE](#) [61314-6-C](#) [61810-3](#) [61-S](#) [61-SN](#) [626-0194](#) [62-NBM-A](#) [62-SN](#) [62-SP](#) [63-S](#) [640179-1](#) [M55155/059I03](#) [M55155/079C01](#) [M55155/099H02](#) [M55155/109H01](#) [M55155/109H02](#) [M55155/12XH05](#) [M55155/16XH02](#)