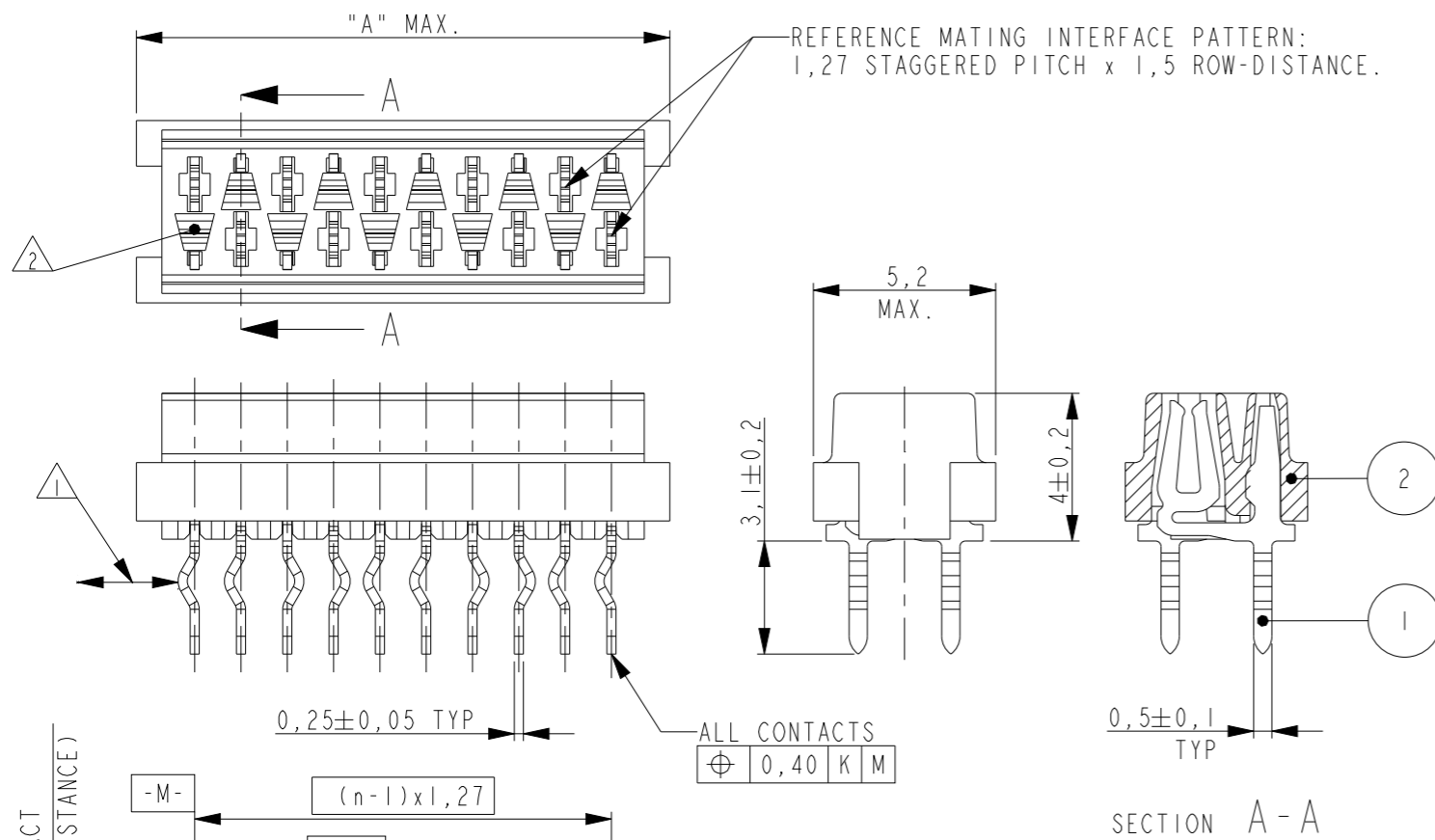
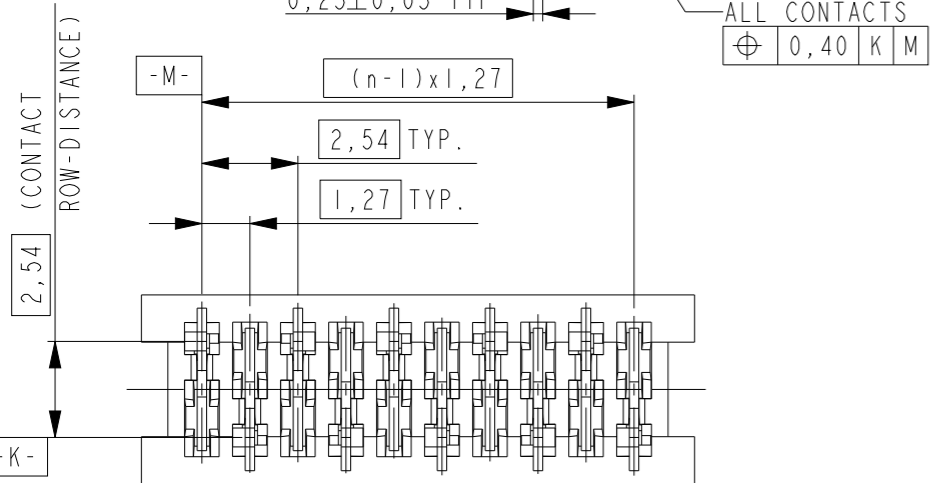


P	LTR	DESCRIPTION	DATE	DWN	APVD
	A	INITIAL RELEASE	08AUG2014	PS	JK
	A1	PN STATUS UPDATED	17MAY2021	SB	KJK

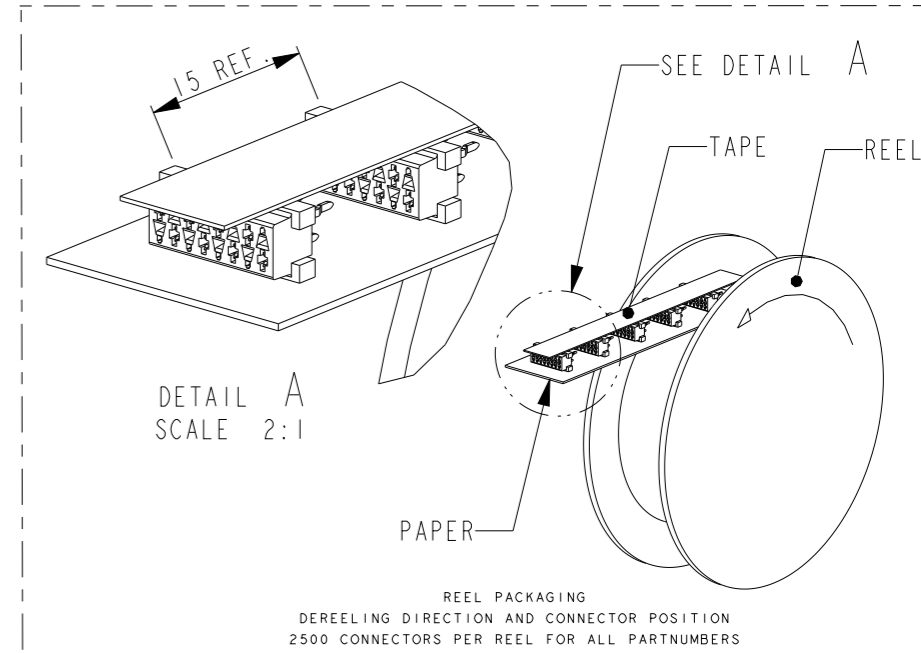


PARTNUMBER REEL PACKAGING	NO. OF POS. "n"	DIMENSION "A" MAX
4-2178710-4	4	7,1
4-2178710-6	6	9,7
4-2178710-8	8	12,2
1-2178710-0	10	14,7
4+2178710-2	12	17,3
4+2178710-4	14	19,8
4+2178710-6	16	22,4
4+2178710-8	18	24,9
4-2-2178710-0	20	27,4

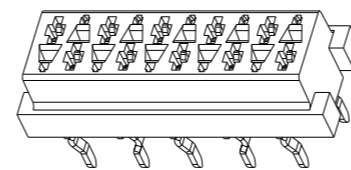
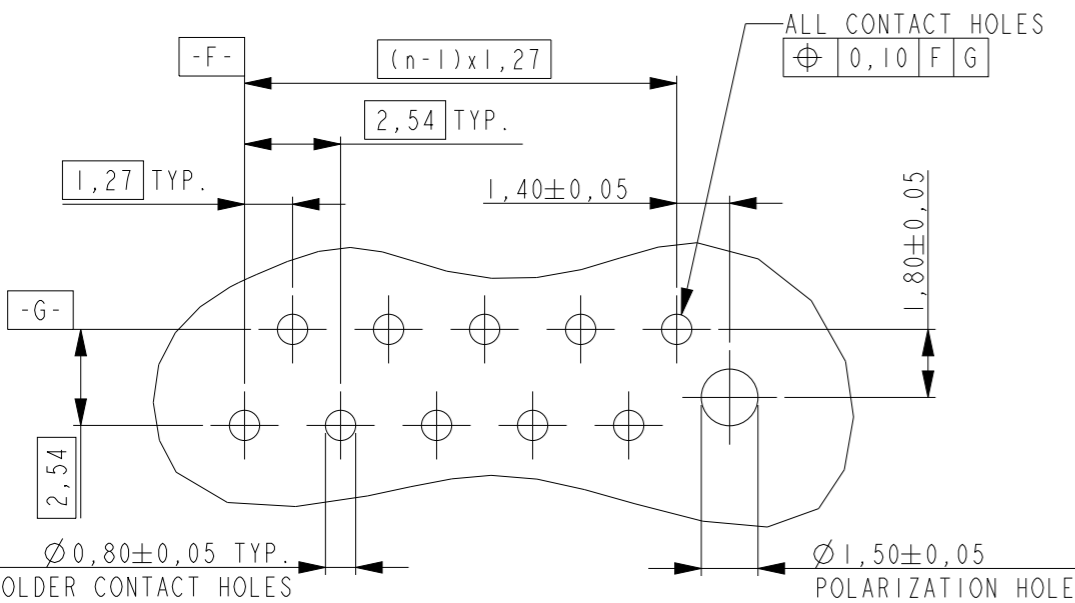


NOTES:

- 1 IN EACH ROW, DIRECTION OF KINKS STARTS RANDOM. IN EACH ROW, SEQUENTIAL CONTACTS HAVE OPPOSITE KINK DIRECTIONS.
- 2 CORING-OUTS FOR MANUFACTURING PURPOSE ONLY. SHAPE MAY VARY, BUT IS NOT FUNCTIONAL FOR THE APPLICATION.
- 3 SHOWN IS A 10 POSITION CONNECTOR.
- 4 OBSOLETE



PC-BOARD HOLE LAYOUT  
(COMPONENT SIDE OF BOARD SHOWN)



THIS DRAWING IS A CONTROLLED DOCUMENT.

DIMENSIONS:	TOLERANCES UNLESS OTHERWISE SPECIFIED:
mm	
	±-
	±-
	±-
	±-
	±-
ANGLES	±-
MATERIAL	FINISH
SEE TABLE	SEE TABLE

2	FEMALE HOUSING	PBT	BLACK		
1	FEMALE CONTACT	TIN BRASS	3.0 -5.0µm TIN OVER 0.5µm NICKEL		
ITEM NO.	COMPONENT DESCRIPTION	MATERIAL	FINISH / COLOR		
DWN	25JUL2014				
CHK	02AUG2014				
APVD	06AUG2014				
PRASHANTH	JAYANTH KUMAR				
PRODUCT SPEC	108-32087	NAME Micro-MaTch VALUE LINE FEMALE-ON-BOARD TOP ENTRY, THRU-HOLE CONNECTOR			
APPLICATION SPEC	-	SIZE	CAGE CODE	DRAWING NO	RESTRICTED TO
WEIGHT	-	A3	00779	C-2178710	
CUSTOMER DRAWING	SCALE	SHEET	OF	REV	
	5:1	1	1	A1	

## X-ON Electronics

Largest Supplier of Electrical and Electronic Components

*Click to view similar products for [Headers & Wire Housings](#) category:*

*Click to view products by [TE Connectivity](#) manufacturer:*

Other Similar products are found below :

[892-18-020-10-001101](#) [58102-G61-06LF](#) [582553-1](#) [0009485154](#) [009176003701906](#) [0050291907](#) [LY20-4P-DT1-P1E-BR](#) [02.125.8002.8](#)  
[609-3404](#) [61062-3](#) [61082-181009](#) [622-3653LF](#) [63453-116](#) [636-1030](#) [636-1427](#) [636-3427](#) [636-4007](#) [641938-9](#) [641991-4](#) [644827-2](#) [65817-](#)  
[010LF](#) [65817-015LF](#) [65863-015LF](#) [66207-023LF](#) [67095-007LF](#) [67601157](#) [68645-018](#) [68648-049](#) [70.362.1628.0](#) [70-4210](#) [70-4226B](#) [70-](#)  
[4853B](#) [707-5020](#) [707-5028](#) [71.350.2428.0](#) [71918-208LF](#) [71961-016LF](#) [733-134](#) [733-162](#) [754199-000](#) [760-3052](#) [787-8014-00](#) [79531-3000](#)  
[FCN-360C032-B](#) [FCN-367T-T012/H](#) [FCN-723D010/2](#) [80.063.4001.1](#) [800-90-001-10-001000](#) [800-90-010-10-002000](#) [801-43-002-10-013000](#)