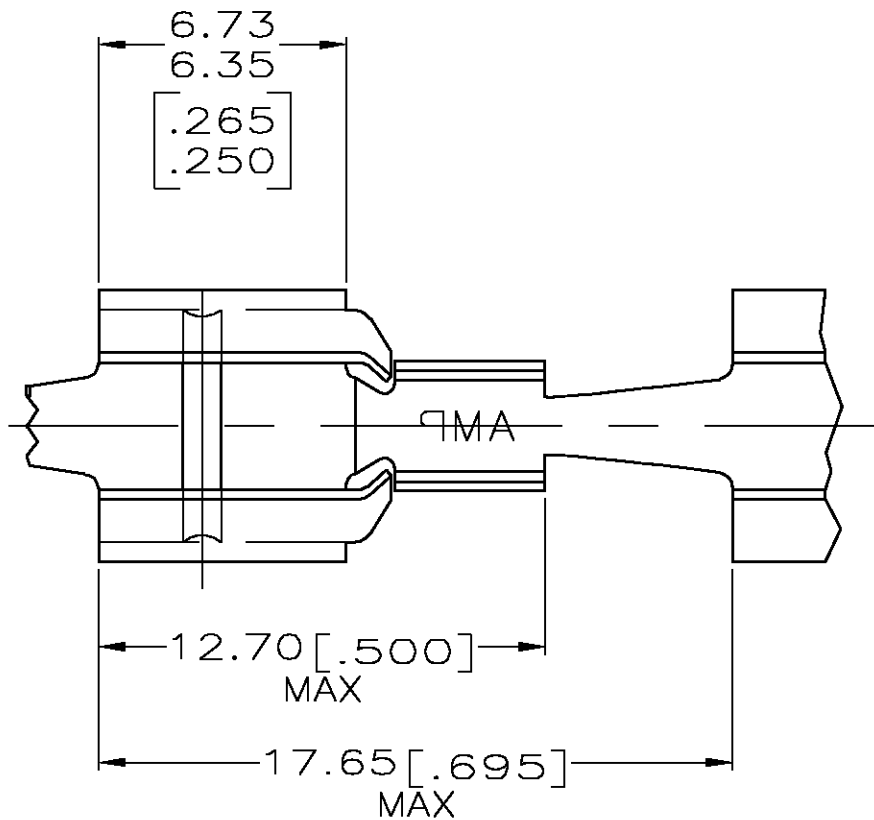
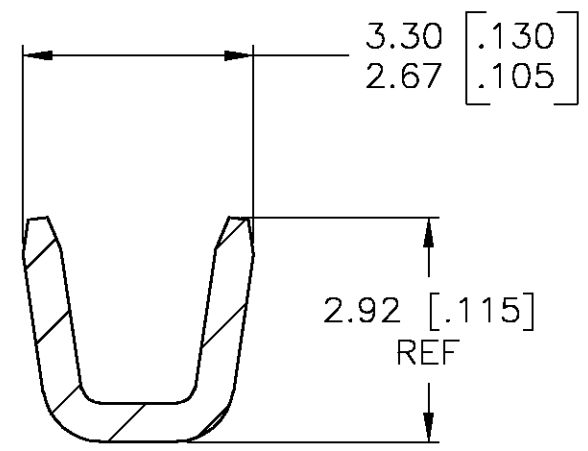
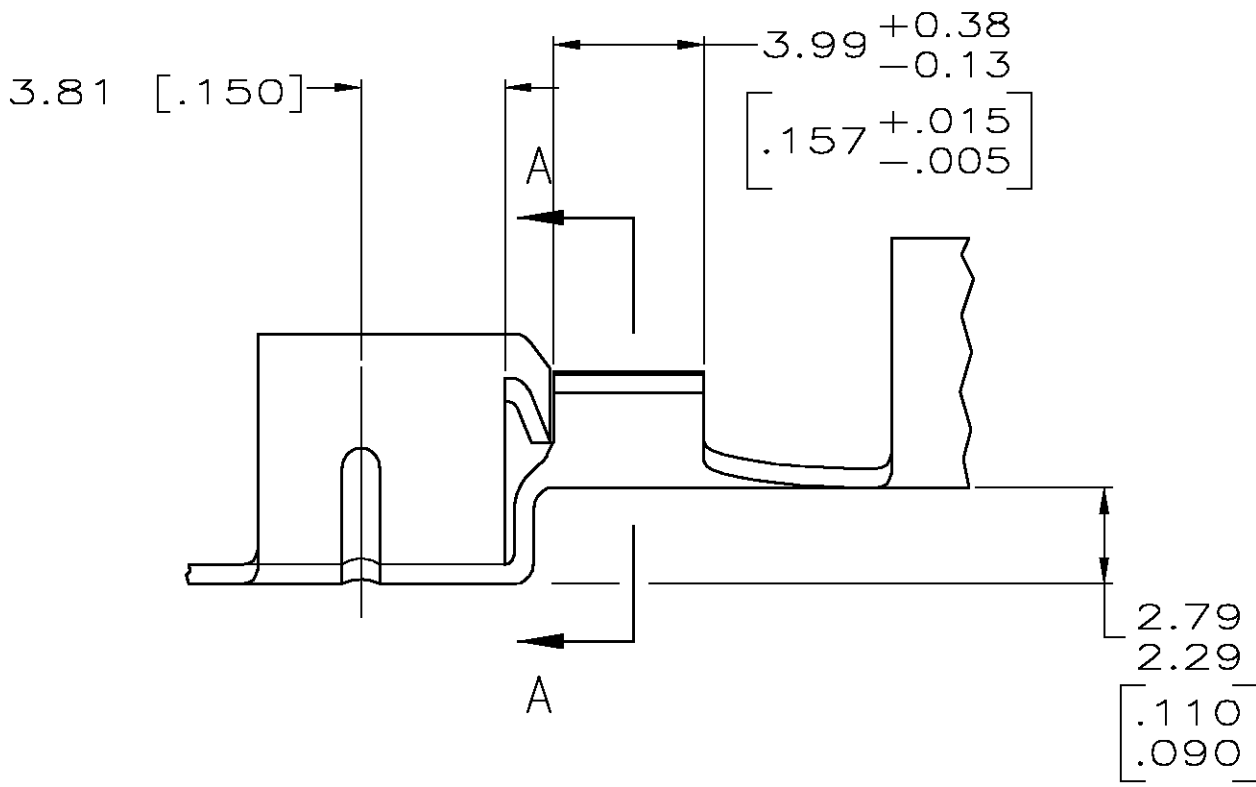


THIS DRAWING IS UNPUBLISHED. RELEASED FOR PUBLICATION
 © COPYRIGHT BY TYCO ELECTRONICS CORPORATION. ALL RIGHTS RESERVED.

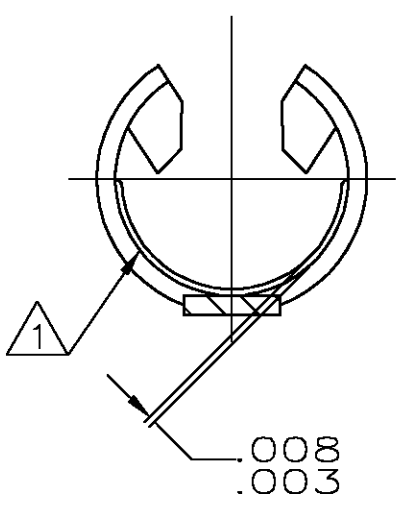
LOC	DIST	REVISIONS			
P	LTR	DESCRIPTION	DATE	DWN	APVD
AF	50	D	REV PER 0G3A-0399-04	07JUN04	JR GP



- 1. FITS ON 6.27-6.43 [.247-.253] DIAMETER PIN.
- 2. WIRE RANGE: 0.3 - 0.9 mm² [22 - 18 AWG]
REF CRIMP INFO: 2.54 [.100] WIDTH, F TYPE
- 3. DIMENSIONS IN BRACKETS ARE IN INCHES.



SECTION A-A
SCALE 10:1



1217881-1
PART NUMBER

THIS DRAWING IS A CONTROLLED DOCUMENT.		DWN JR RUTH 03OCT02	Tyco Electronics Corporation Harrisburg, PA 17105		
DIMENSIONS: MM [INCHES]		CHK G PORTA 03OCT02	NAME .250 FUSE RECEPTACLE		
TOLERANCES UNLESS OTHERWISE SPECIFIED:		APVD G PORTA 03OCT02	PRODUCT SPEC -		
0 PLC ± - 1 PLC ± - 2 PLC ± 0.13 [.005] 3 PLC ± - 4 PLC ± - ANGLES ± 30°		APPLICATION SPEC -		RESTRICTED TO -	
MATERIAL 0.51 [.020] BRASS		FINISH -	WEIGHT -	SIZE A3	CAGE CODE 00779
CUSTOMER DRAWING			DRAWING NO C-1217881	SCALE 5:1	SHEET 1 OF 1
			REV D		

X-ON Electronics

Largest Supplier of Electrical and Electronic Components

Click to view similar products for [Terminals](#) category:

Click to view products by [TE Connectivity](#) manufacturer:

Other Similar products are found below :

[HT-13-10](#) [71M-250-32-NB](#) [01-2065-1-0216](#) [00581P0075](#) [M10-10RX](#) [M10BCK](#) [60205-1](#) [604200-1](#) [60598-1-CUT-TAPE](#) [60617-1-C](#) [60873-1](#) [M14-516R/SK](#) [M14-6RSX](#) [M18-8FBX](#) [M18-8R/LX](#) [M18BCK](#) [61314-6-C](#) [61-S](#) [61-SN-A](#) [62-NBM-A](#) [63-S](#) [640179-1](#) [640917-2-CUT-TAPE](#) [6501550002](#) [66107-2-C](#) [696683-1](#) [696834-1](#) [696861-1](#) [696931-1](#) [696999-1](#) [M8-516RK](#) [M86700006](#) [MA250DMFMX-A](#) [701-2007](#) [701-2307](#) [701-7761-03](#) [70F-110-32-PB](#) [718-N-A](#) [71M-187-20-NBL](#) [71M-250-32-NBL](#) [72F-187-20-NBL](#) [72M-250-32-NBL](#) [7310](#) [73F-250-32](#) [73F-250-32-NL](#) [F14-10C](#) [F-1M](#) [751-250](#) [76650-5002](#) [76828-149](#)