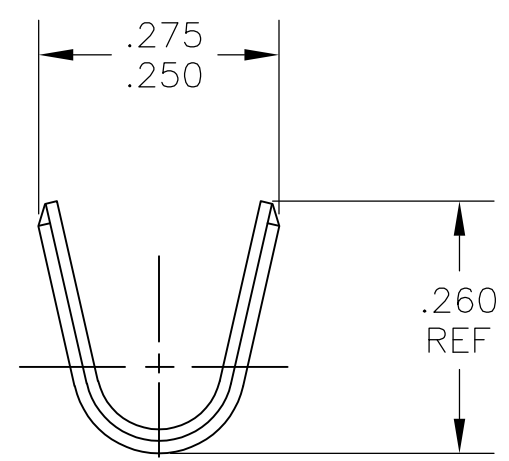
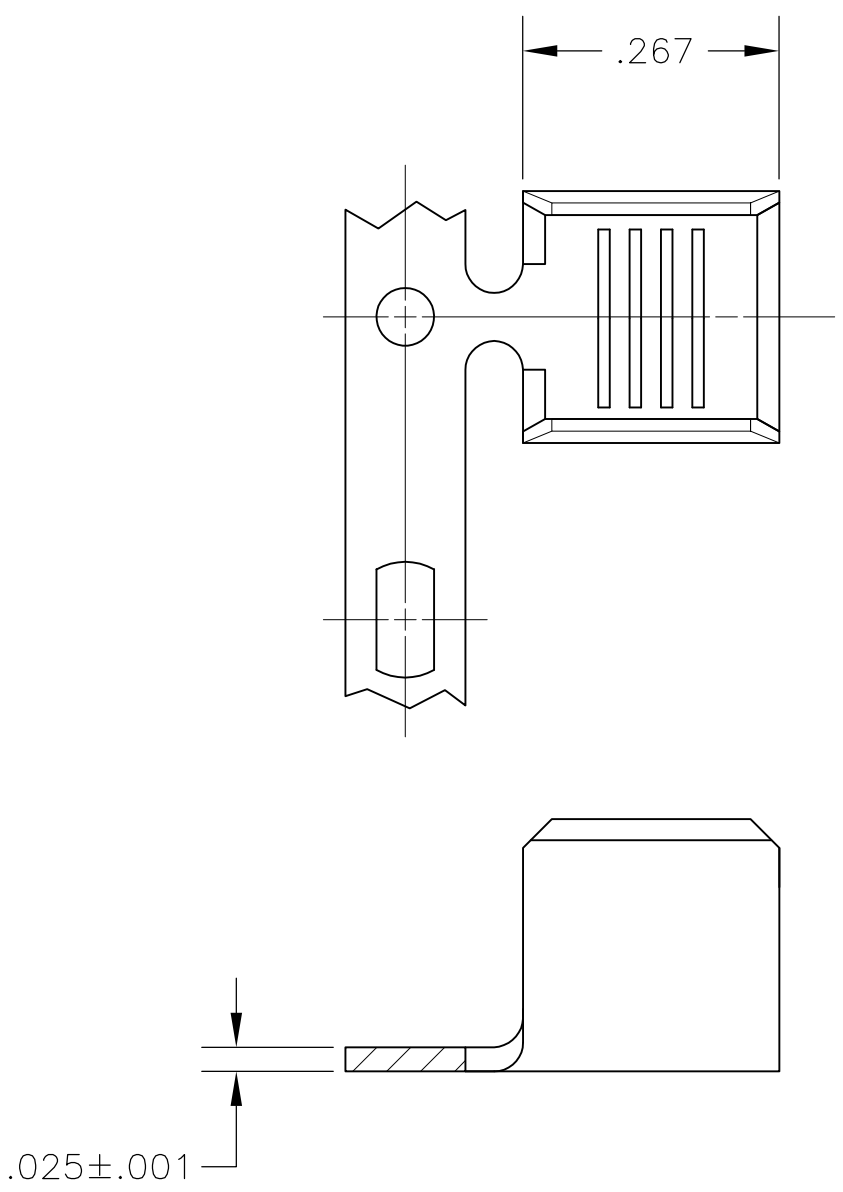


THIS DRAWING IS UNPUBLISHED. RELEASED FOR PUBLICATION  
 © COPYRIGHT BY TYCO ELECTRONICS CORPORATION. ALL RIGHTS RESERVED.

LOC	DIST	REVISIONS			
P	LTR	DESCRIPTION	DATE	DWN	APVD
	C1	REVISED PER ECO-09-024717	04NOV09	KK	AEG

- 1 CONTINUOUS STRIP ON REEL.
- 2 CRIMP WIDTH—.180, F TYPE
- 3 CRIMP HEIGHT ±.002 =  $\frac{CMA+23100}{285700}$
- 4 WIRE RANGE IS 8,500-14,000 CMA
- 5 OBSOLETE PARTS: OBSOLETE CIS STREAMLINING PER D.RENAUD/D.SINISI



5 OBSOLETE	.000080 MIN TIN PLATE	1217967-2
	FINISH	1217967-1
		PART NO

THIS DRAWING IS A CONTROLLED DOCUMENT.		DWN jr_ruth 09JUN03	Tyco Electronics Corporation Harrisburg, Pa 17105-3608	
DIMENSIONS: INCHES	TOLERANCES UNLESS OTHERWISE SPECIFIED:	CHK G PORTA 09JUN03	NAME SPLICE	
	0 PLC ± -	APVD G PORTA 09JUN03	PRODUCT SPEC -	
	1 PLC ± -	APPLICATION SPEC	-	
	2 PLC ± .010	WEIGHT	SIZE A3	CAGE CODE 00779
	3 PLC ± -	FINISH SEE TABLE	DRAWING NO C-1217967	
	4 PLC ± -		RESTRICTED TO -	
MATERIAL H04 BRASS		CUSTOMER DRAWING	SCALE 5:1	SHEET 1 OF 1
			REV C1	

## X-ON Electronics

Largest Supplier of Electrical and Electronic Components

*Click to view similar products for [Terminals](#) category:*

*Click to view products by [TE Connectivity](#) manufacturer:*

Other Similar products are found below :

[00-054007-01074-6](#) [00-054007-70206-1](#) [00-054007-70210-8](#) [00-054007-70217-7](#) [00-054007-70226-9](#) [00-054007-70228-3](#) [00-054007-70248-1](#) [00-054007-70256-6](#) [00-054007-70301-3](#) [00-054007-70316-7](#) [0-0320562-0](#) [00-054007-49560-4](#) [00-054007-70209-2](#) [00-054007-70225-2](#) [00-054007-70227-6](#) [00-054007-70231-3](#) [00-054007-70241-2](#) [00-054007-70242-9](#) [00-054007-70244-3](#) [00-054007-70246-7](#) [00-054007-70263-4](#) [00-054007-70288-7](#) [00-054007-70290-0](#) [00-054007-70300-6](#) [00-054007-70304-4](#) [01-2065-1-0216](#) [01-2900-1-04412](#) [00581P0075](#) [600TS-10](#) [60205-1](#) [604200-1](#) [605601-1](#) [60598-1-CUT-TAPE](#) [61314-6-C](#) [61810-3](#) [61-S](#) [61-SN](#) [626-0194](#) [62-NBM-A](#) [62-SN](#) [62-SP](#) [63-S](#) [640179-1](#) [M55155/059I03](#) [M55155/079C01](#) [M55155/099H02](#) [M55155/109H01](#) [M55155/109H02](#) [M55155/12XH05](#) [M55155/16XH02](#)