

THIS DRAWING IS UNPUBLISHED. RELEASED FOR PUBLICATION  
 © COPYRIGHT - By - ALL RIGHTS RESERVED.

| LOC | DIST | REVISIONS   |                          |           |        |
|-----|------|-------------|--------------------------|-----------|--------|
| P   | LTR  | DESCRIPTION | DATE                     | DWN       | APVD   |
| AF  | 50   | D3          | REVISE PER ECR-14-005740 | 15APR2014 | GRZ JL |

D

D

C

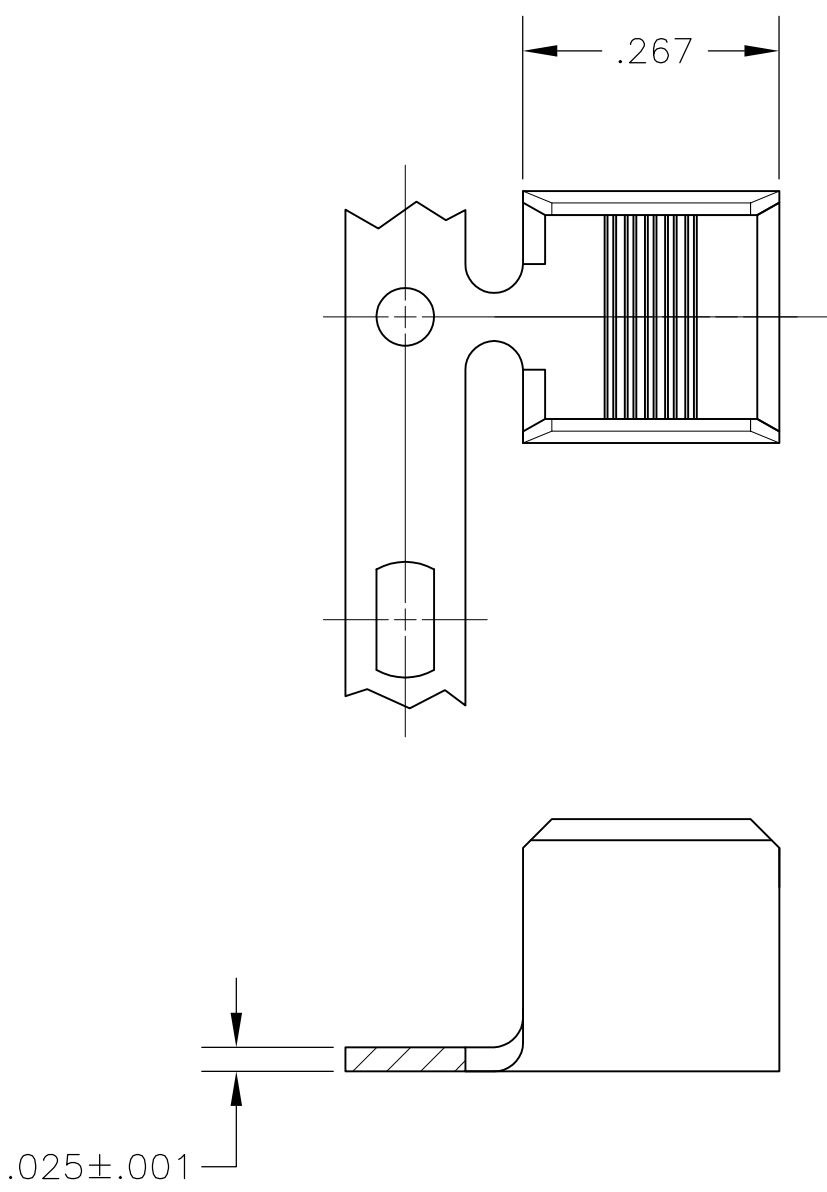
C

B

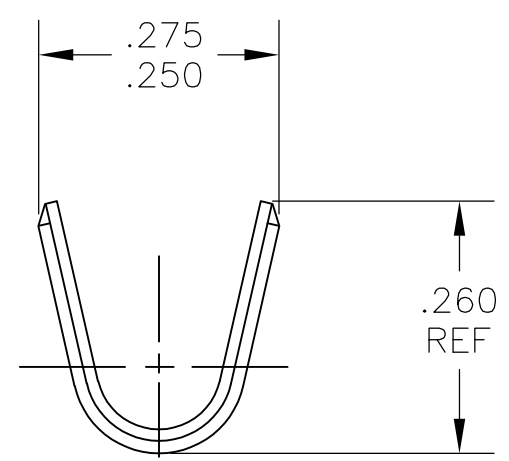
B

A

A



- 1 PROVIDED ON 24 INCH DIA REEL.
- 2 CRIMP WIDTH—.180, F TYPE
- 3 CRIMP HEIGHT ±.002 =  $\frac{CMA+23,500}{312,500}$
- 4 WIRE RANGE IS 6,000—14,000 CMA
- △5 SPLICE FREE



|           |    |           |
|-----------|----|-----------|
| —         | △5 | 1217990-4 |
| TIN PLATE | △5 | 1217990-3 |
| TIN PLATE |    | 1217990-2 |
| —         |    | 1217990-1 |
| FINISH    |    | PART NO   |

|  |                     |                            |                   |                    |                         |  |
|--|---------------------|----------------------------|-------------------|--------------------|-------------------------|--|
| THIS DRAWING IS A CONTROLLED DOCUMENT.   |                     | DWN<br>jr_ruth<br>26AUG03  | TE Connectivity   |                    |                         |  |
| DIMENSIONS:<br>INCHES  |                     | CHK<br>G PORTA<br>26AUG03  |                   |                    |                         | NAME<br>SPLICE, AMPLIVAR<br>5 SERRATIONS |
|  |                     | APVD<br>G PORTA<br>26AUG03 | PRODUCT SPEC<br>— |                    |                         |  |
| TOLERANCES UNLESS OTHERWISE SPECIFIED:<br>0 PLC ± -<br>1 PLC ± -<br>2 PLC ± .010<br>3 PLC ± -<br>4 PLC ± -<br>ANGLES ± - |                     | APPLICATION SPEC<br>—      | SIZE<br>A3        | CAGE CODE<br>00779 | DRAWING NO<br>C-1217990 | RESTRICTED TO<br>—                       |
| MATERIAL<br>BRASS  | FINISH<br>SEE TABLE | WEIGHT<br>—                | CUSTOMER DRAWING  |                    |                         | SCALE<br>5:1                             |
|  |                     |                            | SHEET<br>1 OF 1   | REV<br>D3          |                         |  |

## X-ON Electronics

Largest Supplier of Electrical and Electronic Components

*Click to view similar products for [Terminals](#) category:*

*Click to view products by [TE Connectivity](#) manufacturer:*

Other Similar products are found below :

[00-054007-01074-6](#) [00-054007-70206-1](#) [00-054007-70210-8](#) [00-054007-70217-7](#) [00-054007-70226-9](#) [00-054007-70228-3](#) [00-054007-70248-1](#) [00-054007-70256-6](#) [00-054007-70301-3](#) [00-054007-70316-7](#) [0-0320562-0](#) [00-054007-49560-4](#) [00-054007-70209-2](#) [00-054007-70225-2](#) [00-054007-70227-6](#) [00-054007-70231-3](#) [00-054007-70241-2](#) [00-054007-70242-9](#) [00-054007-70244-3](#) [00-054007-70246-7](#) [00-054007-70263-4](#) [00-054007-70288-7](#) [00-054007-70290-0](#) [00-054007-70300-6](#) [00-054007-70304-4](#) [01-2065-1-0216](#) [01-2900-1-04412](#) [00581P0075](#) [600TS-10](#) [60205-1](#) [604200-1](#) [605601-1](#) [60598-1-CUT-TAPE](#) [61314-6-C](#) [61810-3](#) [61-S](#) [61-SN](#) [626-0194](#) [62-NBM-A](#) [62-SN](#) [62-SP](#) [63-S](#) [640179-1](#) [M55155/059I03](#) [M55155/079C01](#) [M55155/099H02](#) [M55155/109H01](#) [M55155/109H02](#) [M55155/12XH05](#) [M55155/16XH02](#)