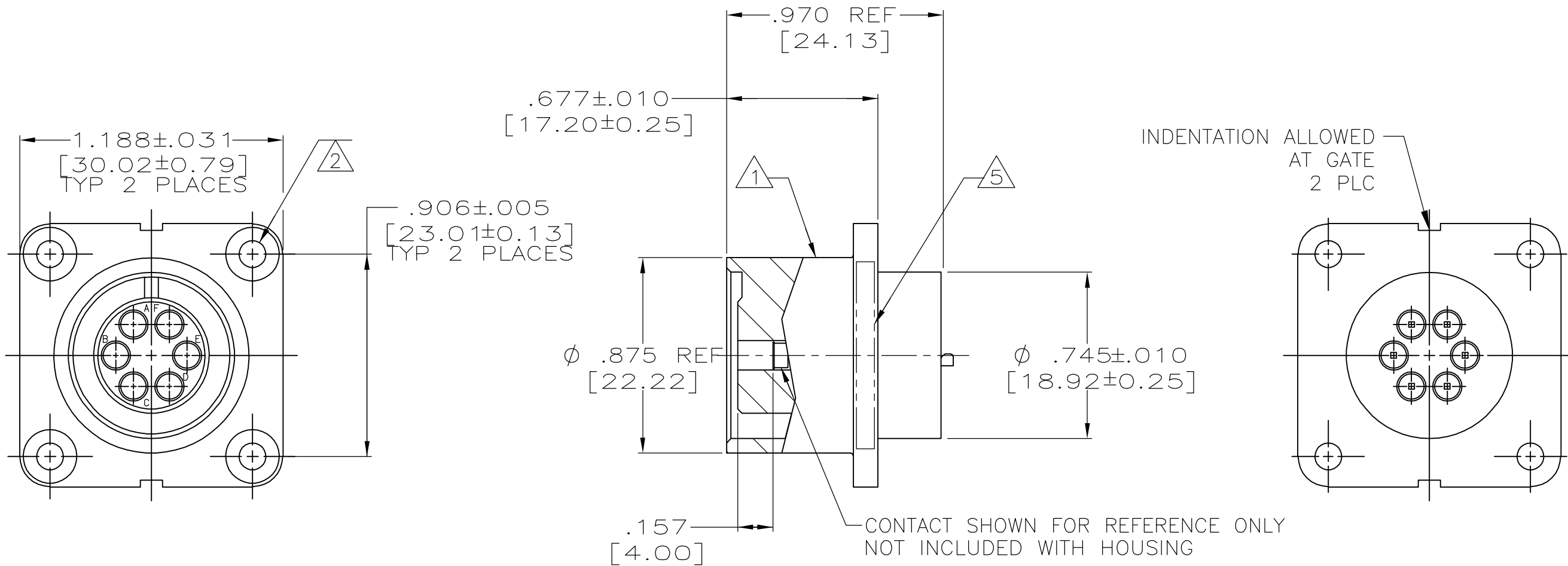


THIS DRAWING IS UNPUBLISHED. RELEASED FOR PUBLICATION, 19  
 © COPYRIGHT 19 BY AMP INCORPORATED. ALL INTERNATIONAL RIGHTS RESERVED.

PROD 4085  
 LOC DF  
 DIST SO  
 P F

REVISIONS				DATE	APPD
ZONE	LTR	DESCRIPTION			
	B	REV PER ECO 06-14737 CT	6-22-06	DE	



- 1 HOUSING IS NOT PROVIDED WITH THREADED FRONT SKIRT.
- 2  $\phi .120^{+.005}_{-.001}$  HOLE WITH  $82^\circ$  X  $\phi .243^{+.005}_{-.001}$  CSINK  
 $[3.05^{+0.13}_{-0.03}]$   $[3.05^{+0.13}_{-0.03}]$   
 4 PLACES
- 3. RECEPTACLE INTERFACE IS THE SAME AS MS 3102A-14S-6S EXCEPT  $\phi .875$  [22.23] IS NOT THREADED.
- 4. AMP DOES NOT MANUFACTURE THE MATING PLUG AND IS NOT RESPONSIBLE FOR PIN AND SOCKET ENGAGEMENT.
- 5 MARKED PER MIL-STD-130.

DO NOT SCALE PRINT. UNLESS SPECIFIED DIMENSIONS IN INCHES [mm] TOLERANCES ON: 2 PLC DEC ± .01 [0.25] 3 PLC DEC ± .005 [0.13] ANGLES ± _____		DR 10-14-97 C.C.THOMAS	AMP Incorporated Harrisburg, PA 17105-3608
MATERIAL HOUSING: BLACK POLYESTER THERMO PLASTIC	CHK 10-16-97 D. EABY	APPD 10-16-97 D. EABY	
FINISH _____	RLSE 10-16-97 C.C.THOMAS	PRODUCT SPEC _____	NAME RCPT HOUSING, 6 POSN., LGH, SPECIAL 4mm RECESS
	APPLICATION SPEC _____	WEIGHT _____	SIZE <b>B</b> CAGE CODE 00779 DRAWING NO 1218081
			SCALE 2:1 SHEET 1 OF 1

1218081-1  
 PART NO

## X-ON Electronics

Largest Supplier of Electrical and Electronic Components

*Click to view similar products for [TE Connectivity](#) manufacturer:*

Other Similar products are found below :

[D38999/24FJ4AN](#) [570416-000](#) [CLTEQ-M81CE-SSRELAY-4-20V](#) [4-1195131-0](#) [650069-000](#) [SMD100-2](#) [358838-000](#) [CB-1022B-78](#)  
[RM707012](#) [RP410012](#) [MMS42](#) [1-640426-8](#) [2EDL4CM](#) [DTS20W19-11PD-3028-LC](#) [RM202615](#) [NC6-P104-06](#) [MSPS103B](#) [DTS26F21-41HE-LC](#) [DTS26F21-41AE](#) [DTS26F21-41PE-LC](#) [DTS26F21-11SE-3028-LC](#) [30DCB6](#) [1932144-1](#) [293545-4](#) [LVR125S](#) [MS27466T25F4PB](#)  
[CKB-38-78010](#) [TR04AI-TINELLOCKRING](#) [1206SFF150F/63-2](#) [D38999/20JB35HA](#) [TE1500A2R2J](#) [D38999/20WC8BB](#) [DTS24F19-11SC-3028-LC](#) [D38999/24WG11HA](#) [D38999/24WG11HN](#) [MS27467T21F11H](#) [DJT16E21-11HA](#) [MS27467T21F35J](#) [MS27467T21F11J](#)  
[MS27467T21F16H-LC](#) [MS27467T21F35H](#) [MS27467T21F41H-LC](#) [1206SFH150F/24-2](#) [RP330024](#) [DJT16E21-11PA-LC](#) [DJT16E21-11HA-LC](#) [DJT16E21-11AA](#) [MS27467T21B11JA](#) [DJT16E21-11JA](#) [MS27467T21B11JA-LC](#)