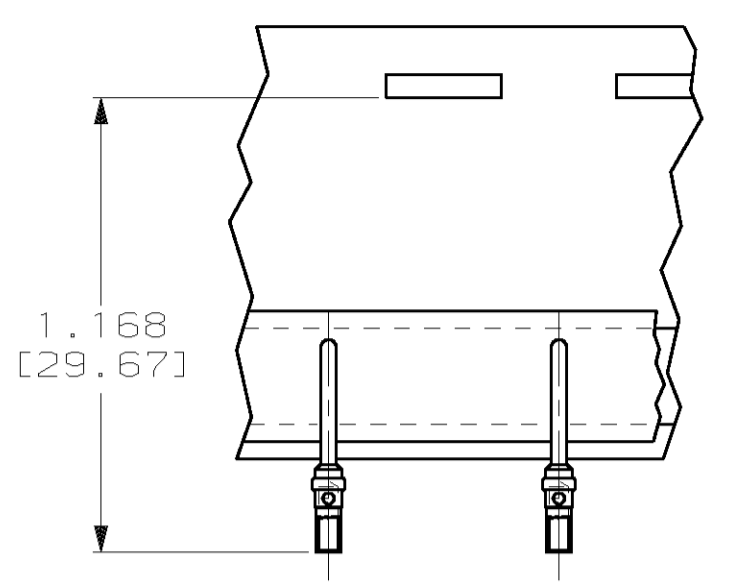
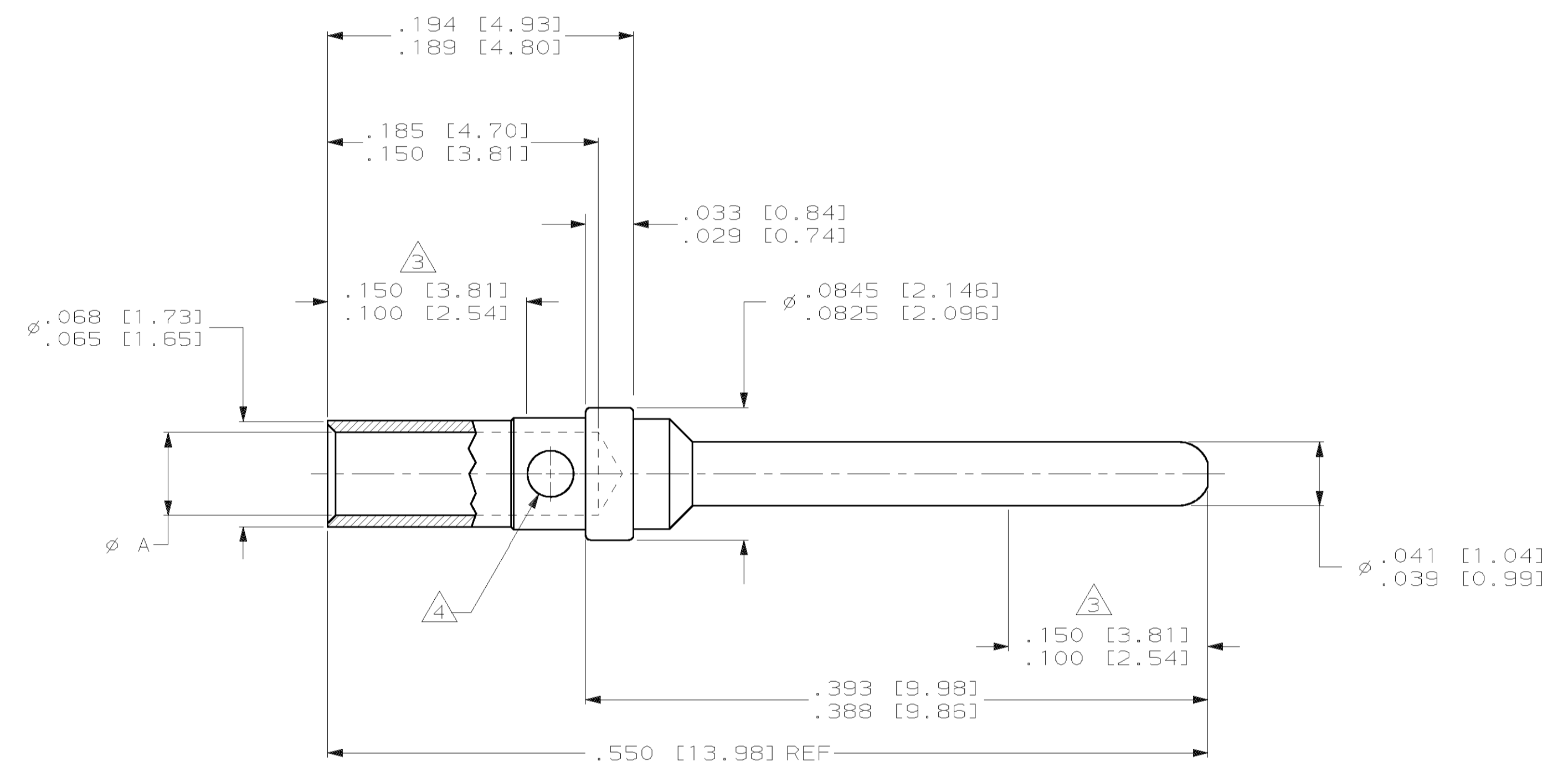


LOC	DIST	REV	DATE	BY	APPV
DF	DO	A	6-00	CT	RG



1218266-2 & -4 ONLY
SCALE: NTS



- 1 MATERIAL: COPPER ALLOY
- 2 FINISH: GOLD PLATE .000030 [0.76μm] MIN THICK
OVER NICKEL PLATE .000050 [1.27μm] MIN THICK.
- 3 POINT OF PLATING THICKNESS MEASUREMENT - SHALL BE MEASURED ON BOTH WIRE BARREL AND PIN END.
- 4 INSPECTION HOLE THRU ONE WALL ONLY
RADIAL LOCATION OPTIONAL.

TAPE MOUNTED 20-24 AWG WIRE	.043-.046 [1.09-1.17]	2	1	1218266-4
LOOSE PIECE 20-24 AWG WIRE	.043-.046 [1.09-1.17]	2	1	1218266-3
TAPE MOUNTED 18 AWG WIRE	.051-.053 [1.30-1.35]	2	1	1218266-2
LOOSE PIECE 18 AWG WIRE	.051-.053 [1.30-1.35]	2	1	1218266-1
REMARKS	DIM A	FINISH	MATERIAL	PART NUMBER

THIS DRAWING IS A CONTROLLED DOCUMENT.

DIMENSIONS: INCHES (mm)	TOLERANCES UNLESS OTHERWISE SPECIFIED:	DWN P BRANDBERG 08 APR 98	AMP Incorporated Harrisburg, PA 17105-3608
0 PLC ±	1 PLC ±	CHK G. GRIFFITH 04 DEC 98	CONTACT, PIN, CRIMP TYPE, SIZE 20, 18 AWG
2 PLC ±	3 PLC ±	APPV G. GRIFFITH 04 DEC 98	
4 PLC ±	ANGLES 92°	PRODUCT SPEC	RESTRICTED TO
MATERIAL	FINISH	APPLICATION SPEC	SIZE CAGE CODE DRAWING NO
		WEIGHT	A1 00779 1218266
		CUSTOMER DRAWING	SCALE 15:1 SHEET 1 OF 1 REV A

X-ON Electronics

Largest Supplier of Electrical and Electronic Components

Click to view similar products for [D-Sub Contacts](#) category:

Click to view products by [TE Connectivity](#) manufacturer:

Other Similar products are found below :

[D02-22-26S-10000](#) [8656352067LF](#) [131A15029X](#) [132A11019X](#) [132J22039X](#) [132A11029X](#) [132A11049X](#) [132A12059X](#) [1757912-1](#) [188582-000](#) [162A11889X](#) [1757913-1](#) [212558-1](#) [030-1955-000](#) [053744-0098](#) [053744-0099](#) [053745-0105](#) [053745-0111](#) [601098N003](#) [D-610-10CS2962](#) [86303057NLF](#) [131A11019X](#) [162A11819X](#) [40-9854MP](#) [1-208778-5](#) [FC120N2](#) [MC7526D/AA](#) [MC8122D/AA](#) [FC4010D-15](#) [FC4006D](#) [121A05329A](#) [164C16669X](#) [86566620064LF](#) [131A13019X](#) [DLS3XS5AK40X](#) [09692825723](#) [030-1954-000](#) [L17DM53744207](#) [L17RRD1M11400](#) [030-1952-000](#) [1655496](#) [030-1953-000](#) [030-1953-030](#) [132C11039X](#) [132J15019X](#) [132C15019X](#) [132A10039X](#) [131A10029X](#) [8638PSC2006LF](#) [8656453067LF](#)