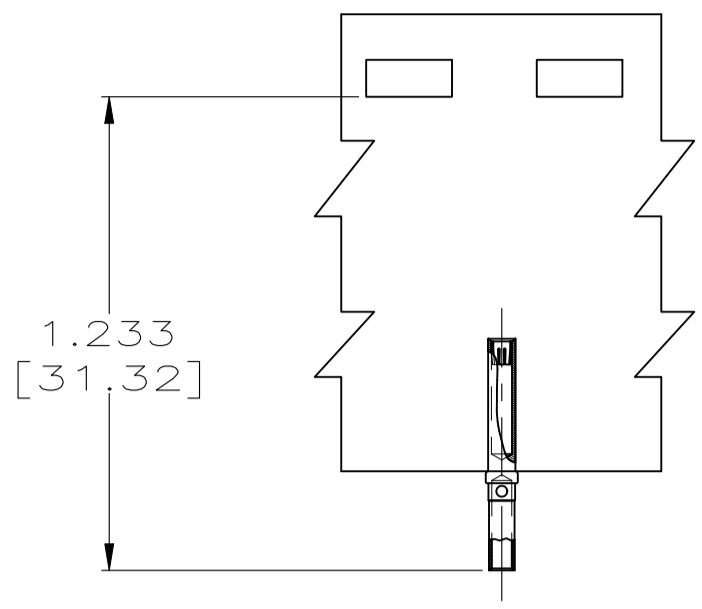
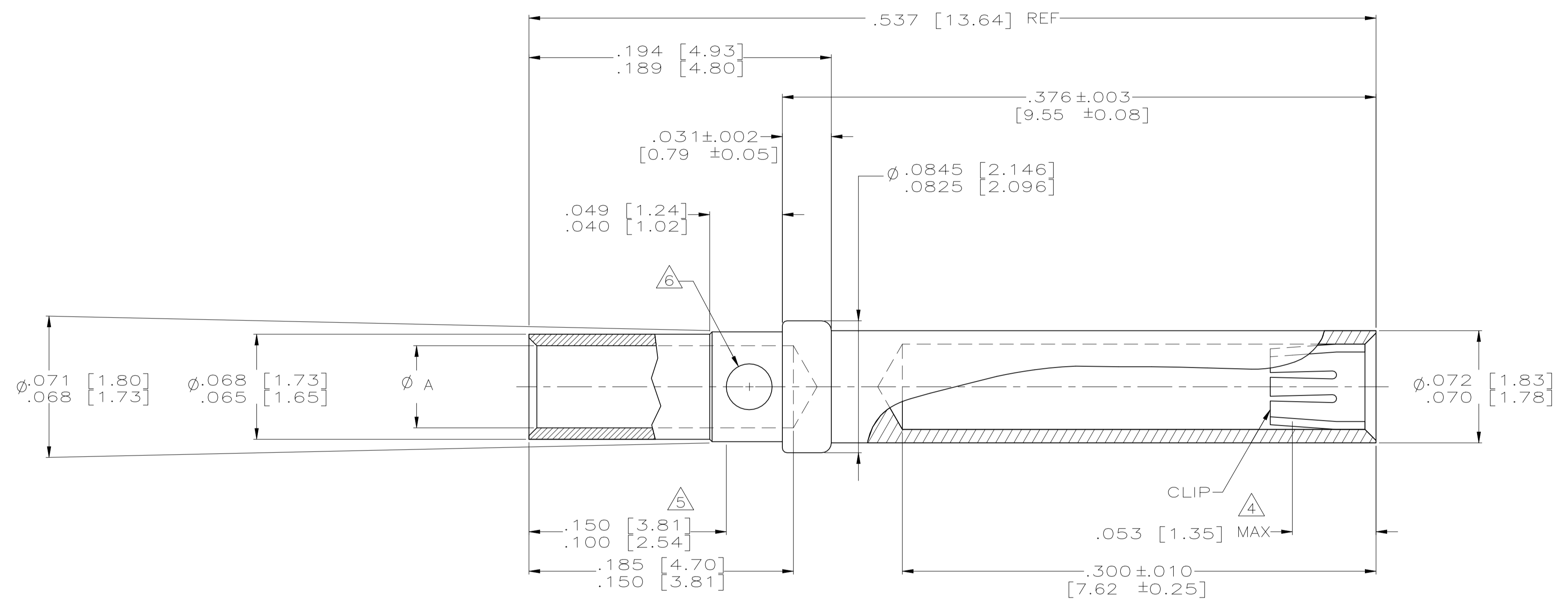


REVISIONS					
P	LTR	DESCRIPTION	DATE	DMN	APVD
E		REVISED PER ECO 20-014632	1-21-21	CT	DM



1218267-2 & -4  
SCALE 2:1

- 1 MATERIAL:  
BODY: COPPER ALLOY  
CLIP: BERYLLIUM COPPER ASTM B 194,  
OR AMP ENGINEERING APPROVED EQUIVALENT.
- 2 FINISH:  
BODY: GOLD PLATE .000010 [0.25µm] MIN THICK ON CONTACT BODY AS PER ASTM-B-488  
OVER NICKEL PLATE .000050 [1.27µm] MIN THICK COATED PER ASTM-B-571.  
CLIP: GOLD PLATE .000050 [1.27µm] MIN THICK COATED PER ASTM-B-488  
OVER NICKEL PLATE .000100 [2.54µm] MIN THICK COATED PER ASTM-B-571.
- 3. ALL DIMENSIONS SHOWN AFTER PLATING.
- 4 POINT WHICH A .039 DIAMETER SQUARE ENDED PIN FIRST  
ENGAGES CLIP TINES.
- 5 POINT OF PLATING THICKNESS MEASUREMENT.
- 6 INSPECTION HOLE THRU ONE WALL ONLY  
RADIAL LOCATION OPTIONAL.



LOOSE PIECE 26-28 AWG WIRE	.024-.026 [0.61-0.66]	△	△	1218267-5
TAPE MOUNTED 20-24 AWG WIRE	.043-.046 [1.09-1.17]	△	△	1218267-4
LOOSE PIECE 20-24 AWG WIRE	.043-.046 [1.09-1.17]	△	△	1218267-3
TAPE MOUNTED 18 AWG WIRE	.051-.053 [1.30-1.35]	△	△	1218267-2
LOOSE PIECE 18 AWG WIRE	.051-.053 [1.30-1.35]	△	△	1218267-1
REMARKS	DIM A	FINISH	MATERIAL	PART NUMBER

THIS DRAWING IS A CONTROLLED DOCUMENT.

DIMENSIONS: INCHES	TOLERANCES UNLESS OTHERWISE SPECIFIED:	DIN P BRANDBERG 08 APR 98	APVD G. GRIFFITH 04 DEC 98	NAME
0 PLC ± -	1 PLC ± -	2 PLC ± -	3 PLC ± .005 [0.13]	4 PLC ± -
ANGLES ± 2°				
MATERIAL SEE TABLE	FINISH SEE TABLE	WEIGHT 0.000000	A1 00779	SCALE 20:1
CUSTOMER DRAWING		SHEET 1 of 1		REV E

**STE** TE Connectivity

CONTACT, SOCKET, CRIMP TYPE, AMPLIMITE

## X-ON Electronics

Largest Supplier of Electrical and Electronic Components

*Click to view similar products for [D-Sub Contacts](#) category:*

*Click to view products by [TE Connectivity](#) manufacturer:*

Other Similar products are found below :

[D02-22-26S-10000](#) [8656352067LF](#) [131A15029X](#) [132A11019X](#) [132J22039X](#) [132A11029X](#) [132A11049X](#) [132A12059X](#) [1757912-1](#) [188582-000](#) [162A11889X](#) [1757913-1](#) [212558-1](#) [030-1955-000](#) [053744-0098](#) [053744-0099](#) [053745-0105](#) [053745-0111](#) [601098N003](#) [D-610-10CS2962](#) [86303057NLF](#) [131A11019X](#) [162A11819X](#) [40-9854MP](#) [1-208778-5](#) [FC120N2](#) [MC7526D/AA](#) [MC8122D/AA](#) [FC4010D-15](#) [FC4006D](#) [121A05329A](#) [164C16669X](#) [86566620064LF](#) [131A13019X](#) [DLS3XS5AK40X](#) [09692825723](#) [030-1954-000](#) [L17DM53744207](#) [L17RRD1M11400](#) [030-1952-000](#) [1655496](#) [030-1953-000](#) [030-1953-030](#) [132C11039X](#) [132J15019X](#) [132C15019X](#) [132A10039X](#) [131A10029X](#) [8638PSC2006LF](#) [8656453067LF](#)