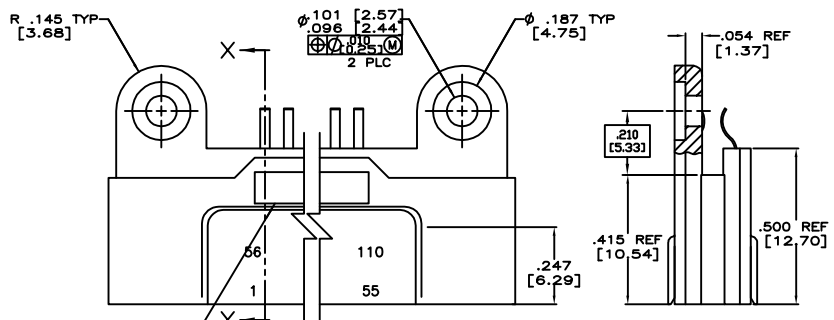
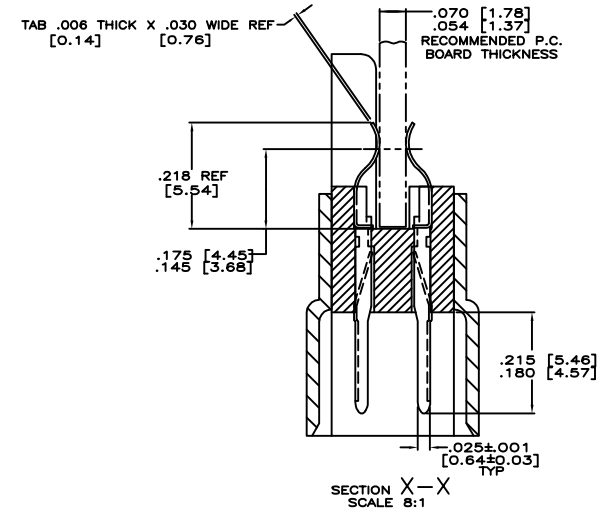
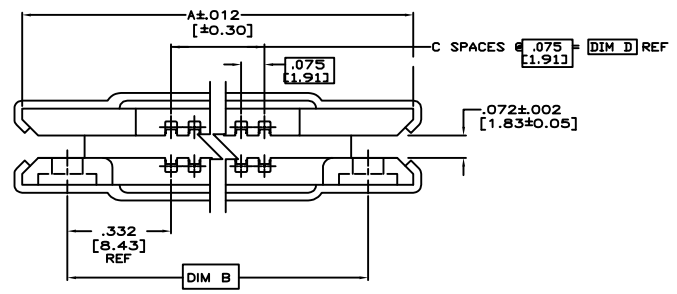
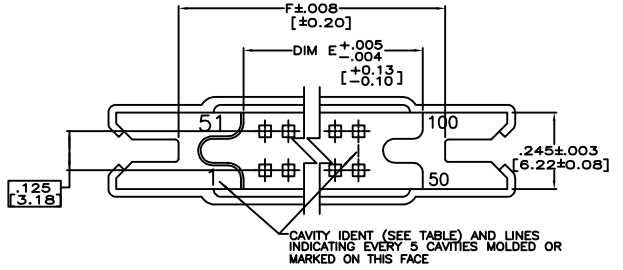


THIS DRAWING IS UNCONTROLLED UNLESS FOR POLYGRAPH ALL DIMENSIONS UNLESS OTHERWISE SPECIFIED

REVISIONS			
REV	DATE	BY	APP
E	REV PER ECD 18-004884	4-11-18	CT RL



TE, DATE CODE & TE PART NO. AND CUSTOMER PART NO. (IF NEEDED) MARKED IN THIS AREA



△ .000030 [0.00076] GOLD IN THE CONTACT AREA .000100 [0.00254] TIN-LEAD ON THE TAILS OVER .000050 [0.00127] NICKEL ON THE ENTIRE CONTACT
 △ MUST MEET ALL APPLICABLE REQUIREMENTS OF M55302/23-19.

△ 11451093-1	21 - 1	1.980 [50.29]	1.700 [43.18]	1.425 [36.19]	19	2.090 [53.08]	2.380 [58.42]	40	1218362-6
-	41 - 1	3.480 [88.39]	3.200 [81.28]	2.925 [74.29]	39	3.590 [91.86]	3.880 [98.55]	80	1218362-5
-	76 - 1	6.105 [155.07]	5.925 [149.96]	5.550 [140.97]	74	6.215 [157.86]	6.505 [165.23]	150	1218362-3
-	51 - 1	4.230 [107.44]	3.950 [100.33]	3.675 [93.35]	49	4.340 [110.24]	4.630 [117.60]	100	1218362-2
89954-356A7503P1	56 - 1	4.605 [116.97]	4.325 [109.86]	4.050 [102.87]	54	4.715 [119.76]	5.005 [127.13]	110	1218362-1
CUSTOMER PART NUMBER	CAVITY IDENT	F	E	D	C	B	A	NUMBER OF POSITIONS	PART NUMBER

THIS DRAWING IS A CONTROLLED DOCUMENT. DISSEMINATION AND DISTRIBUTION FOR: P.C. THOMAS 11-11-18, R. GILBERT 11-18-18, R. GILBERT 11-18-18

APPLICATOR SPEC: PER MIL-C-8830/23

DATE: 0.000000 A1 00779 C-1218362

CUSTOMER DRAWING

TE Connectivity
 PIN HEADER ASSY, .075C/L BOX WITH MACHINED SLOTS

SCALE: 5:1 SHEET: 1 of 1

X-ON Electronics

Largest Supplier of Electrical and Electronic Components

Click to view similar products for [Board to Board & Mezzanine Connectors](#) category:

Click to view products by [TE Connectivity](#) manufacturer:

Other Similar products are found below :

[589158040000018](#) [MDF7C-18P-2.54DSA\(55\)](#) [FCN-230C068-11](#) [FCN-268F012-G/BD](#) [FCN-268F036-G/BD](#) [FCN-268M012-G/0D](#) [FCN-268M024-G/1D](#) [FCN-723J004/1](#) [MIS-048-01-F-D-DP-K](#) [832-10-034-10-001000](#) [FX4C-80S-1.27DSA](#) [FCN-214Q030-G/0](#) [FCN-234P048-G/0](#) [FCN-235D050-G/C](#) [210-93-314-41-105000](#) [2-22603-0](#) [MDF7-40DP-2.54DSA\(55\)](#) [AXG720047](#) [5031084030](#) [MIT-114-03-F-D-K](#) [55323-1519](#) [DF33-2P-3.3DSA\(24\)](#) [YFT-20-05-H-03-SB-K](#) [503308-3040](#) [026-6203-PDB](#) [027-6203-PDB](#) [069159702701000](#) [10123981-102LF](#) [101A10019X](#) [55650-0588-C](#) [68682-310LF](#) [68684-306](#) [75140-7012](#) [87471-650](#) [194261-1](#) [FCN-268F024-G0D](#) [10124054-515LF](#) [68685-603](#) [8-1616154-3](#) [MIS-019-01-F-D](#) [FCN-268M024-G/3D](#) [20021832-06016C1LF](#) [KX15-20KLDL-E1000E](#) [MDF7-16DP-2.54DSA\(55\)](#) [AXE810124](#) [FCN-214J100-G/0](#) [FCN-230C068-E/S](#) [AXE812124](#) [AXE816124](#) [AXE720127](#)