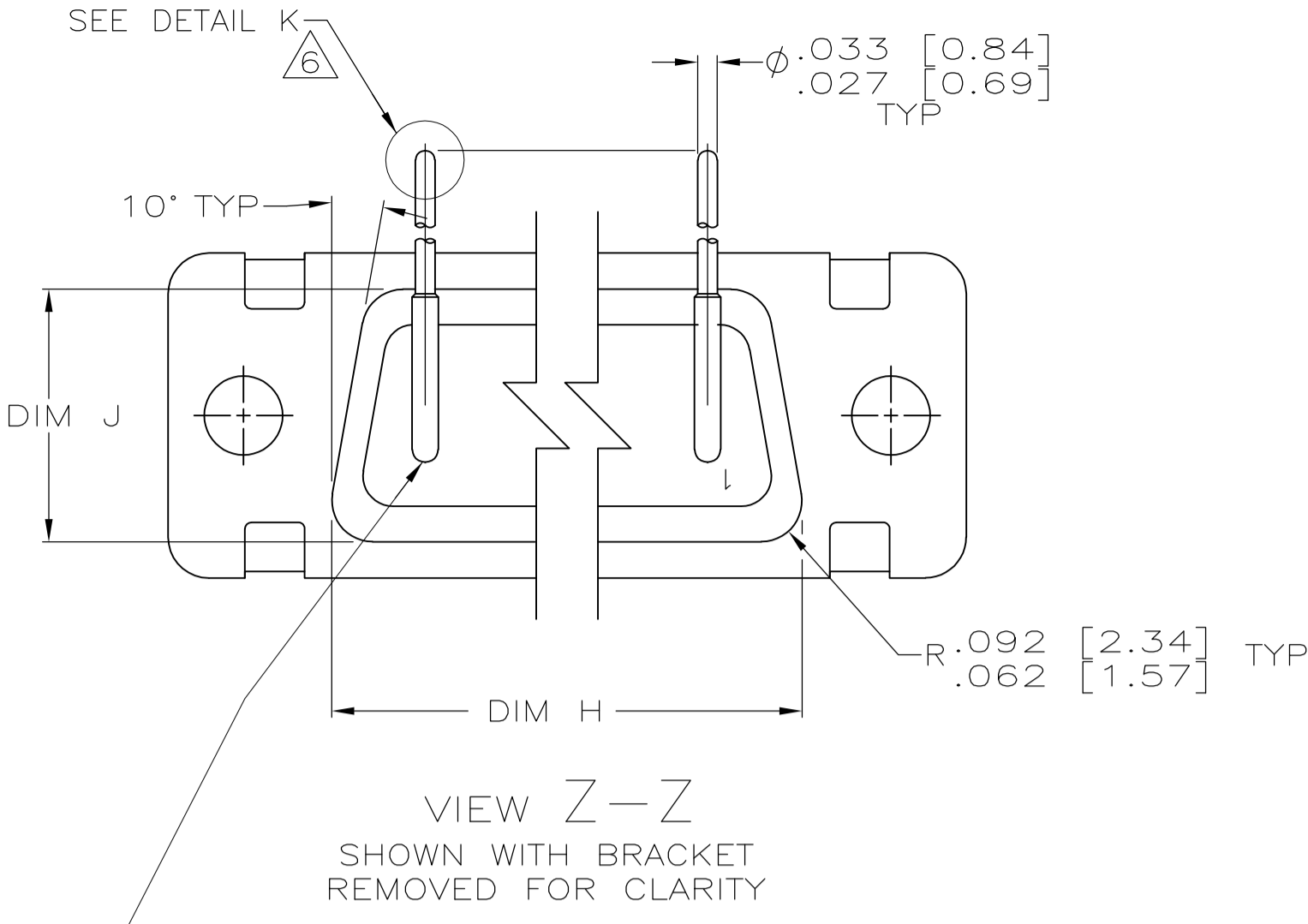
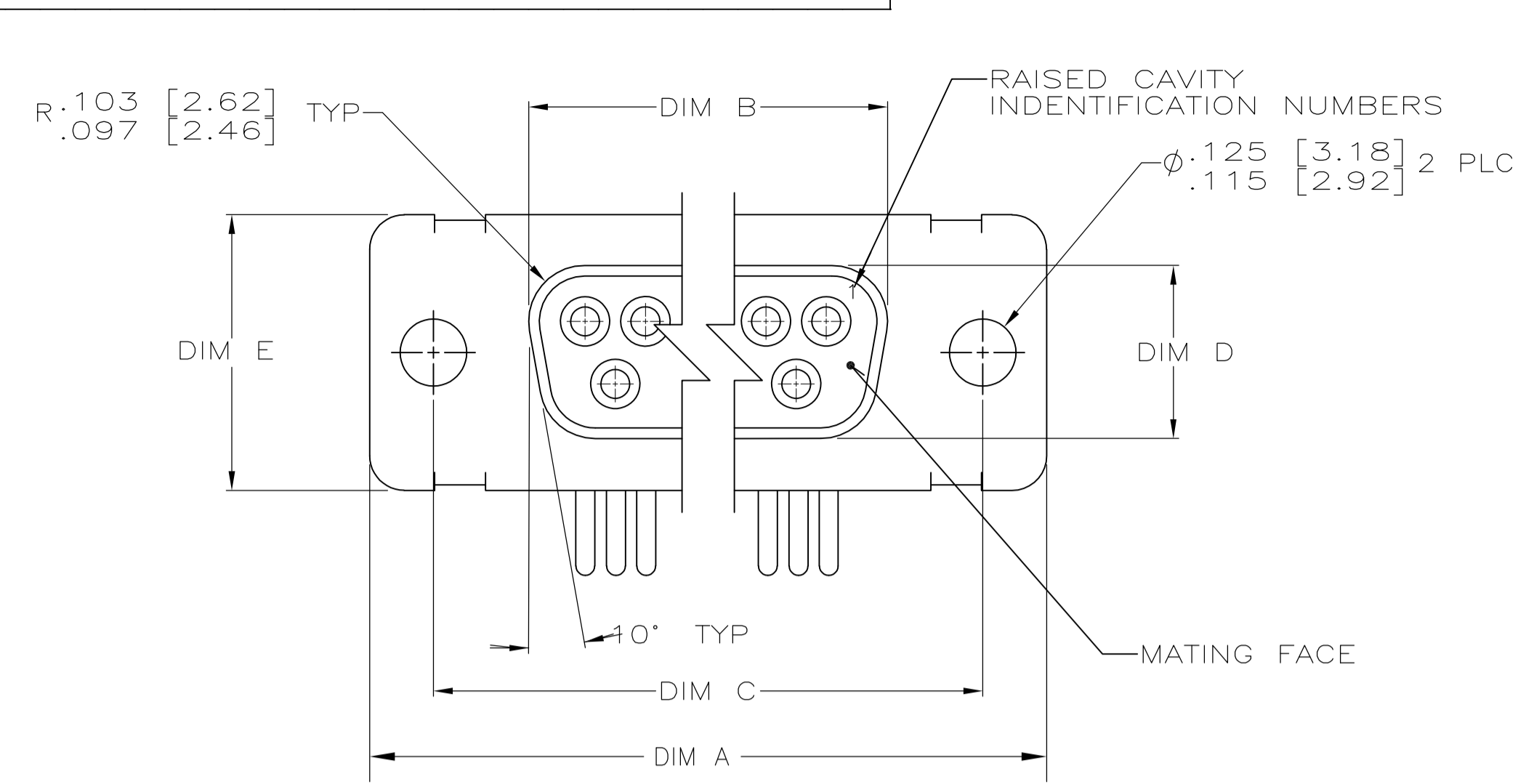
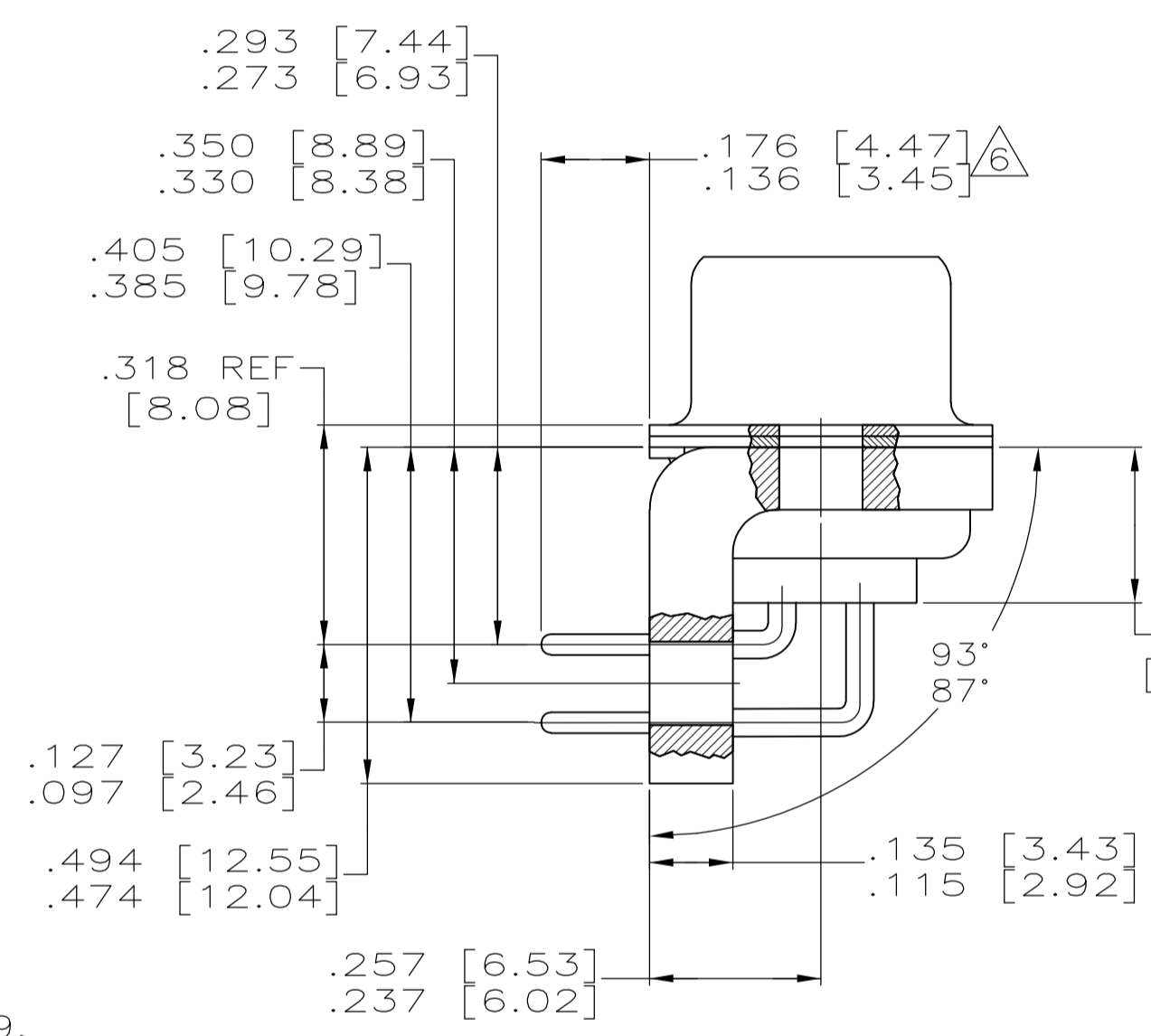
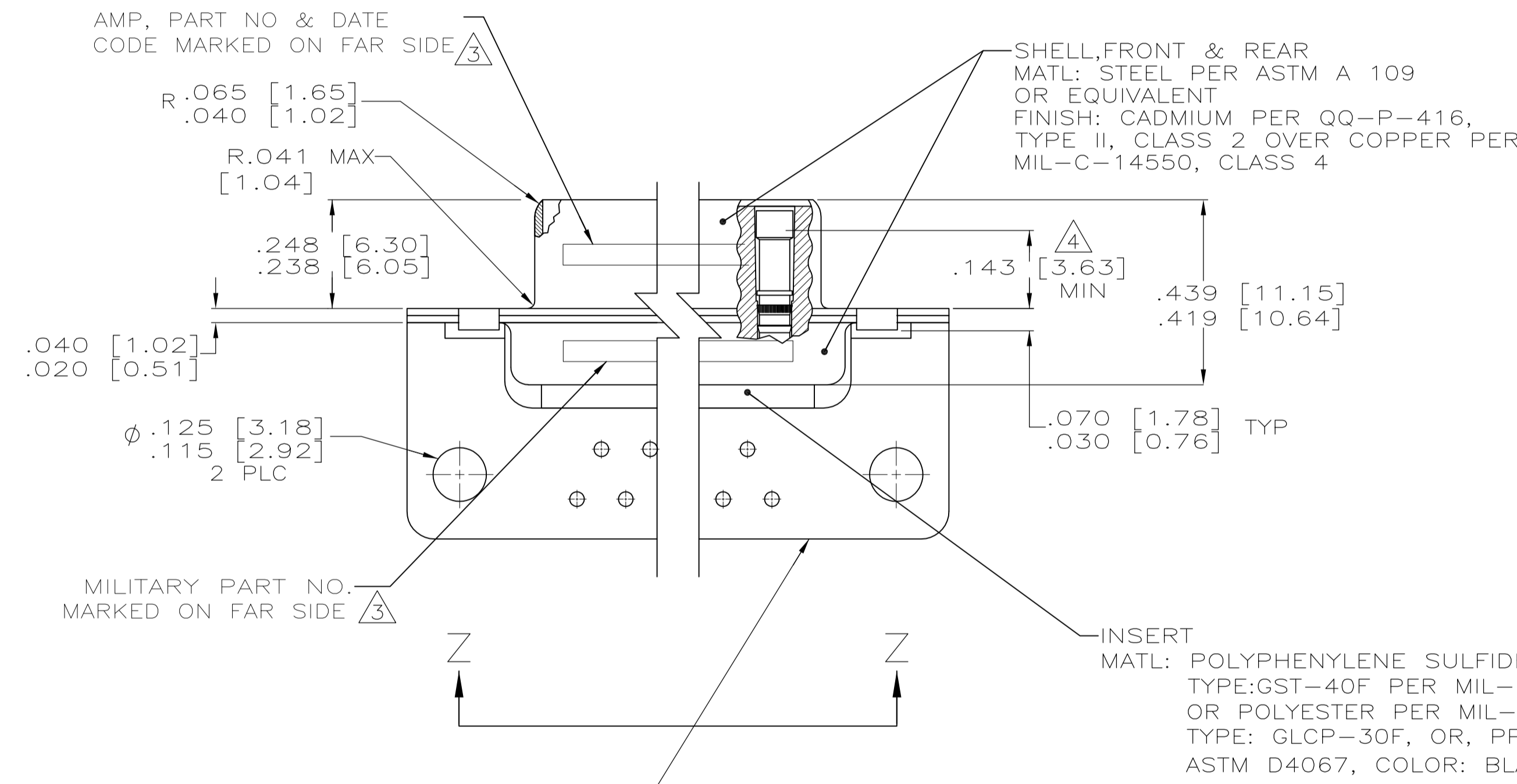


LOC	DIST	REV	DESCRIPTION	DATE	BY	APPV
D1	REVISED PER	ECO-11-005030		11MAR11	RK	HMR

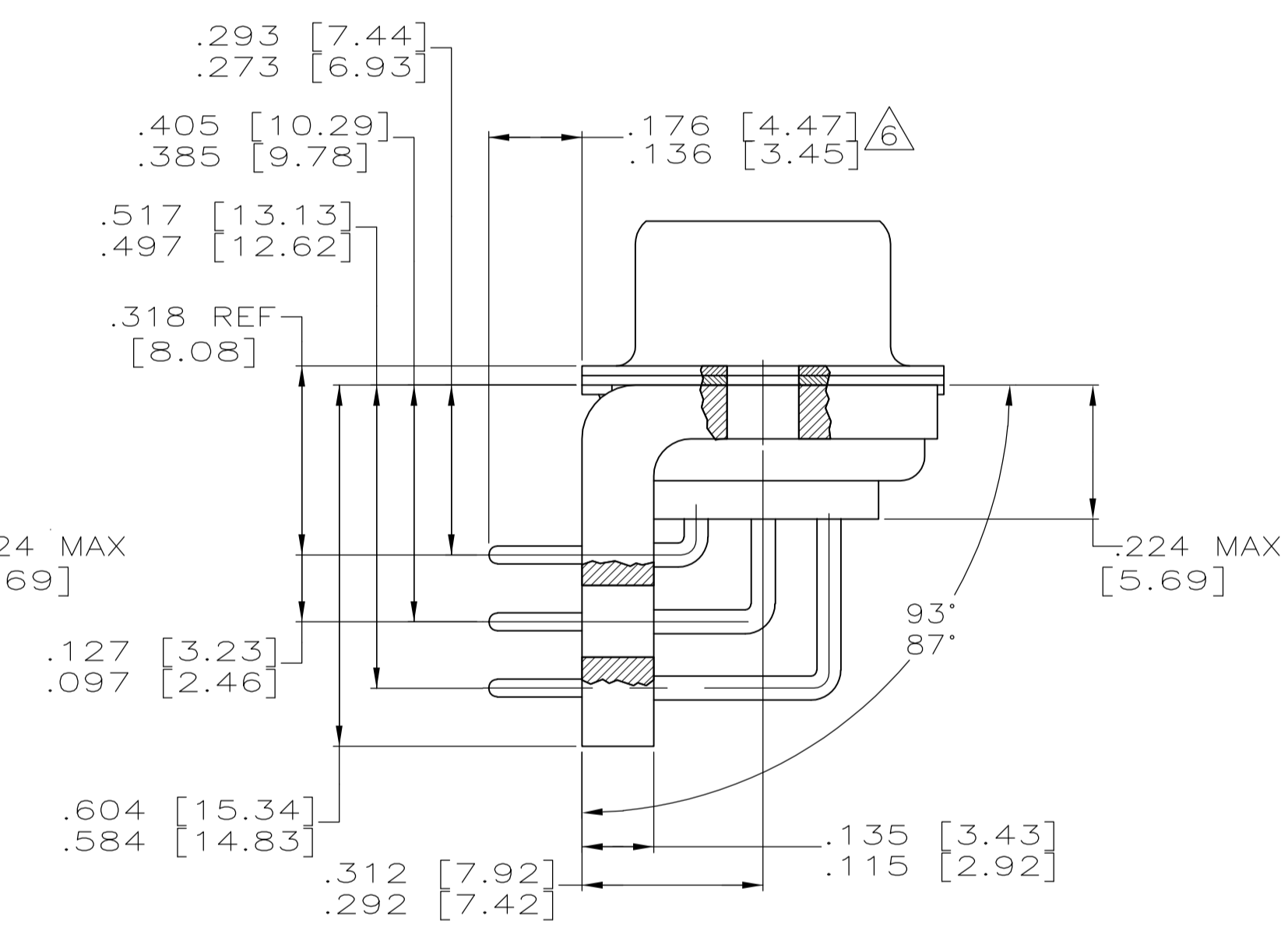


CONTACT (QTY = NO. OF POSN)
 MATL: BRASS PER ASTM-B-16, OR BERYLLIUM COPPER PER ASTM-B-194
 FINISH: GOLD PER MIL-G-45204, TYPE II, GRADE C, CLASS 1 IN CONTACT MATING AREA, .000010 [0.0003] MIN THK GOLD PER MIL-G-45204 OVER .000050 [0.0013] MIN THK NICKEL PER QQ-N-290 ON CONTACT BODY

- 1. SEE SHEET 2 FOR RECOMMENDED P.C. BOARD LAYOUT. TRUE POSITION TOLERANCE FOR P.C. BOARD LAYOUT IS .010 [0.25] AT MAX MATERIAL CONDITION. SUGGESTED BOARD THICKNESS IS .125 [3.18]
- 2. THE CONNECTORS DESCRIBED IN THIS DOCUMENT MEET THE REQUIREMENTS OF MIL-C-24308 AND MATE WITH ANY PLUG CONNECTOR WITH SAME INSERT ARRANGEMENT.
- 3. MARKED WITH .047 [1.19]-.062 [1.57] HIGH CHARACTERS. FAR SIDE REFERS TO THE WIDE SIDE OF THE KEYSTONE. NEAR SIDE REFERS TO THE NARROW SIDE OF THE KEYSTONE. IF THE REAR SHELL IS TOO SMALL FOR THE ENTIRE MILITARY PART NUMBER, MARKING SHALL BE LOCATED AS FOLLOWS:
 - A. "M24308" ON FRONT SHELL, FAR SIDE.
 - B. SLASH SHEET AND DASH NUMBER ON REAR SHELL, FAR SIDE.
 - C. "AMP" AND DATE CODE ON FRONT SHELL, NEAR SIDE.
 - D. PART NUMBER ON REAR SHELL, NEAR SIDE.
- IF THE FRONT SHELL IS TOO SMALL FOR "AMP", PART NUMBER AND DATE CODE, MARKING SHALL BE SPLIT AS FOLLOWS:
 - A. PART NUMBER ON REAR SHELL, NEAR SIDE.
 - B. "AMP" AND DATE CODE ON FRONT SHELL, NEAR SIDE.
 - C. MILITARY PART NUMBER ON REAR SHELL, FAR SIDE.
- 4. POINT OF ELECTRICAL ENGAGEMENT - AS MEASURED WITH A .0390 [0.991]-.0393 [0.998] DIA SQUARE ENDED TEST PIN.
- 5. THIS DRAWING SHALL BE INTERPRETED IN ACCORDANCE WITH APPLICABLE STANDARDS LISTED IN MIL-STD-100.
- 6. SOLDER DIP PER MIL-STD-2000 COMPOSITION Sn63 CONFORMING TO QQ-S-571 IN THE ENTIRE AREA OF DIMENSION SHOWN. 1218408-6 THRU -10 ONLY.

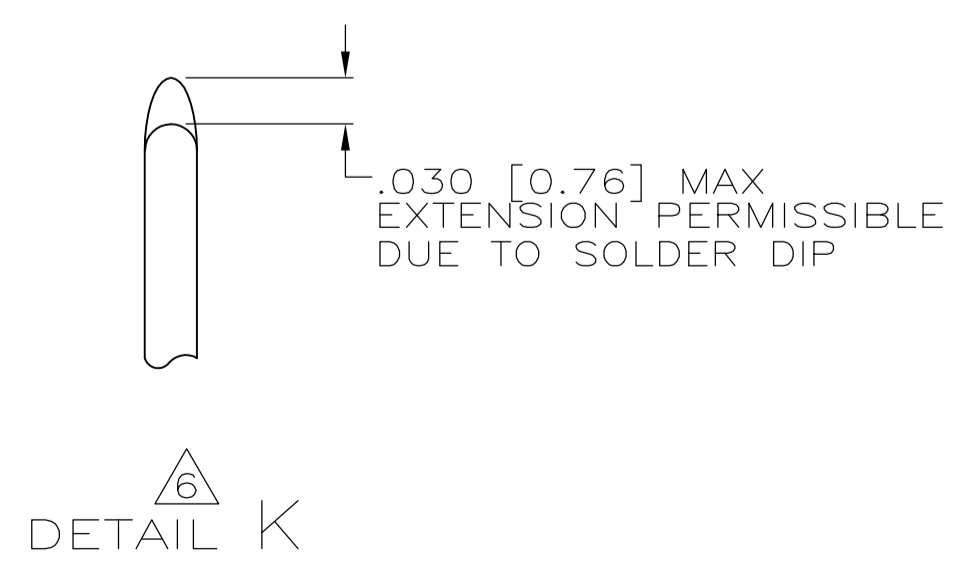


SHELL SIZES 1 THRU 4 CONTACT CONFIGURATION



SHELL SIZE 5 CONTACT CONFIGURATION

.544 [13.82]	.524 [13.31]	2.188 [55.58]	2.168 [55.07]	.620 [15.75]	.590 [14.99]	.428 [10.87]	.418 [10.62]	2.411 [61.24]	2.401 [60.99]	2.069 [52.55]	2.059 [52.30]	2.650 [67.31]	2.620 [66.55]	MS18277-1	50	5	M24308/23-35F	1218408-5	1-1218408-0
.432 [10.97]	.412 [10.46]	2.282 [57.96]	2.262 [57.45]	.509 [12.93]	.479 [12.17]	.316 [8.03]	.306 [7.77]	2.505 [63.63]	2.495 [63.37]	2.164 [54.97]	2.154 [54.71]	2.744 [69.70]	2.714 [68.94]	MS18276-1	37	4	M24308/23-34F	1218408-4	1218408-9
.432 [10.97]	.412 [10.46]	1.635 [41.53]	1.615 [41.02]	.509 [12.93]	.479 [12.17]	.316 [8.03]	.306 [7.77]	1.857 [47.17]	1.847 [46.91]	1.516 [38.51]	1.506 [38.25]	2.103 [53.42]	2.073 [52.65]	MS18275-1	25	3	M24308/23-33F	1218408-3	1218408-8
.432 [10.97]	.412 [10.46]	1.093 [27.76]	1.073 [27.25]	.509 [12.93]	.479 [12.17]	.316 [8.03]	.306 [7.77]	1.317 [33.45]	1.307 [33.20]	.976 [24.79]	.966 [24.54]	1.556 [39.52]	1.526 [38.76]	MS18274-1	15	2	M24308/23-32F	1218408-2	1218408-7
.432 [10.97]	.412 [10.46]	.769 [19.53]	.749 [19.02]	.509 [12.93]	.479 [12.17]	.316 [8.03]	.306 [7.77]	.989 [25.12]	.979 [24.87]	.648 [16.46]	.638 [16.21]	1.228 [31.19]	1.198 [30.43]	MS18273-1	9	1	M24308/23-31F	1218408-1	1218408-6
.544 [13.82]	.524 [13.31]	2.188 [55.58]	2.168 [55.07]	.620 [15.75]	.590 [14.99]	.428 [10.87]	.418 [10.62]	2.411 [61.24]	2.401 [60.99]	2.069 [52.55]	2.059 [52.30]	2.650 [67.31]	2.620 [66.55]	MS18277-1	50	5	M24308/23-35F	1218408-5	1218408-5
.432 [10.97]	.412 [10.46]	2.282 [57.96]	2.262 [57.45]	.509 [12.93]	.479 [12.17]	.316 [8.03]	.306 [7.77]	2.505 [63.63]	2.495 [63.37]	2.164 [54.97]	2.154 [54.71]	2.744 [69.70]	2.714 [68.94]	MS18276-1	37	4	M24308/23-34F	1218408-4	1218408-4
.432 [10.97]	.412 [10.46]	1.635 [41.53]	1.615 [41.02]	.509 [12.93]	.479 [12.17]	.316 [8.03]	.306 [7.77]	1.857 [47.17]	1.847 [46.91]	1.516 [38.51]	1.506 [38.25]	2.103 [53.42]	2.073 [52.65]	MS18275-1	25	3	M24308/23-33F	1218408-3	1218408-3
.432 [10.97]	.412 [10.46]	1.093 [27.76]	1.073 [27.25]	.509 [12.93]	.479 [12.17]	.316 [8.03]	.306 [7.77]	1.317 [33.45]	1.307 [33.20]	.976 [24.79]	.966 [24.54]	1.556 [39.52]	1.526 [38.76]	MS18274-1	15	2	M24308/23-32F	1218408-2	1218408-2
.432 [10.97]	.412 [10.46]	.769 [19.53]	.749 [19.02]	.509 [12.93]	.479 [12.17]	.316 [8.03]	.306 [7.77]	.989 [25.12]	.979 [24.87]	.648 [16.46]	.638 [16.21]	1.228 [31.19]	1.198 [30.43]	MS18273-1	9	1	M24308/23-31F	1218408-1	1218408-1
DIM J	DIM H	DIM E	DIM D	DIM C	DIM B	DIM A	INSERT ARRANGEMENT	NO OF POS	SHELL SIZE	MILITARY P/N ON CONNECTOR	P/N MARKED ON CONNECTOR	PART NO.							

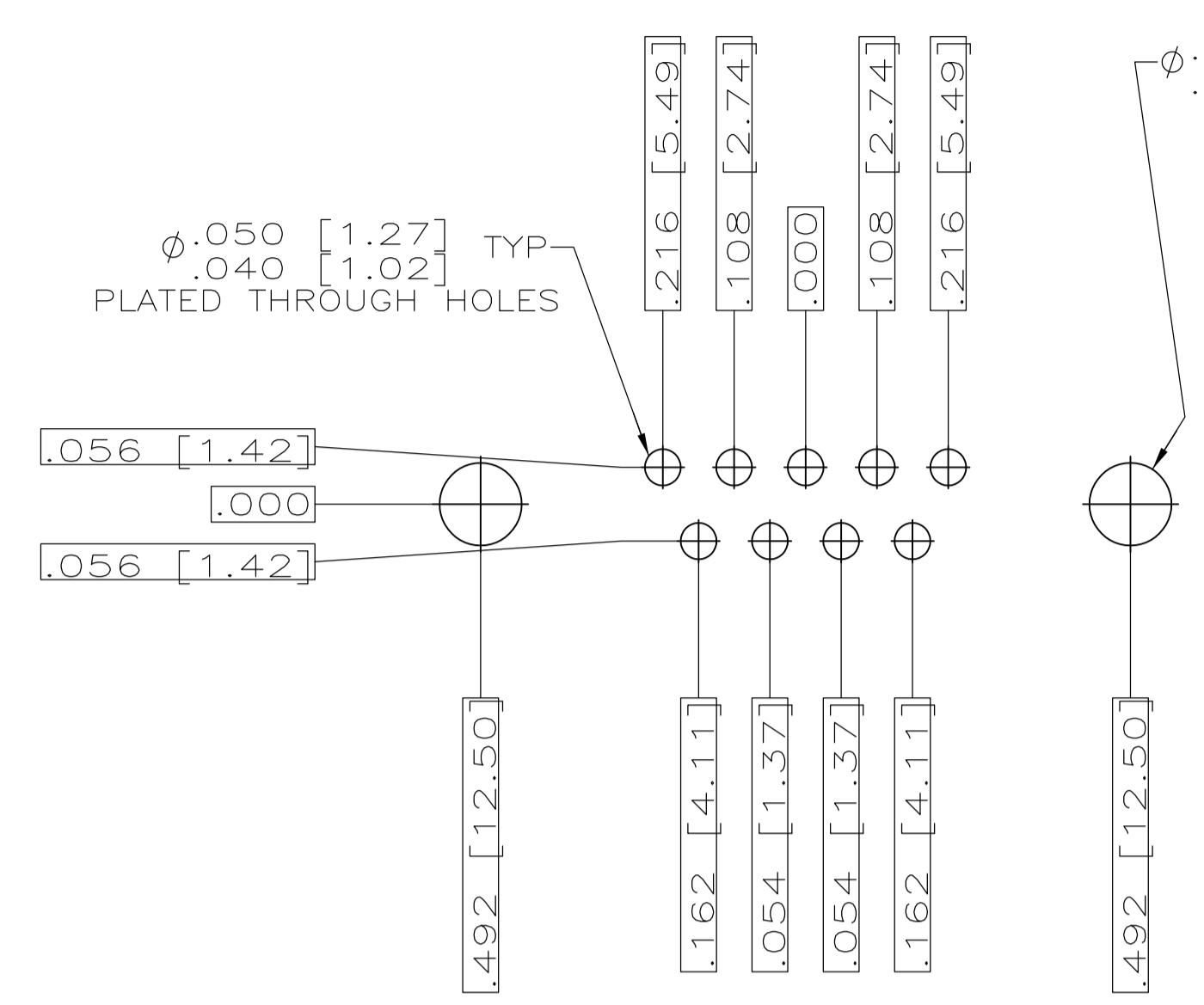


THIS DRAWING IS A CONTROLLED DOCUMENT.

STE TE Connectivity

RECEPTACLE ASSY, AMPLIMITE RIGHT ANGLE, SERIES 109 SIZE 1 THRU 5

SCALE 4:1 SHEET 1 OF 2 REV D1



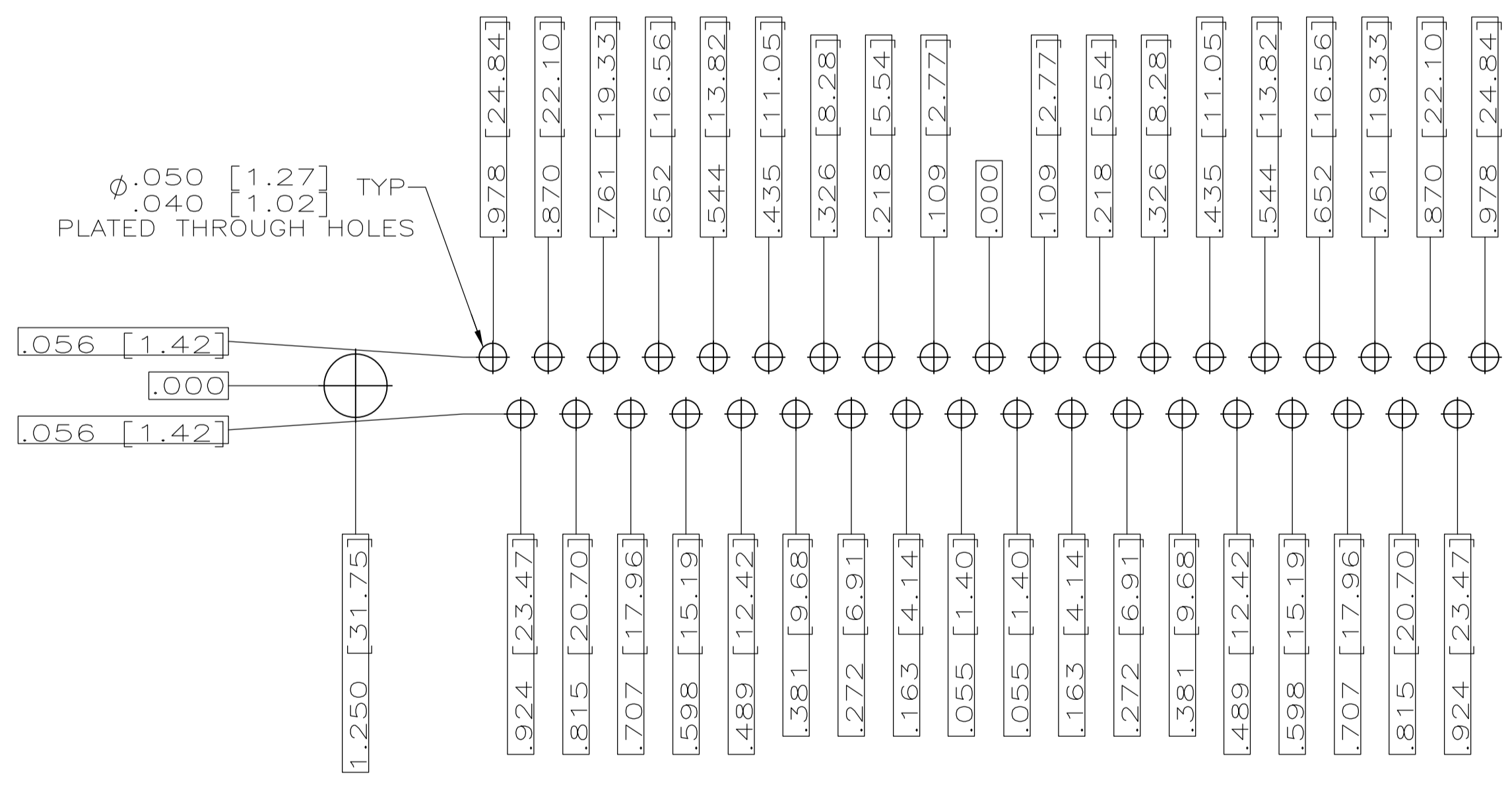
RECOMMENDED P.C. BOARD LAYOUT
SHELL SIZE 1 (9 POSITION)



RECOMMENDED P.C. BOARD LAYOUT
SHELL SIZE 2 (15 POSITION)



RECOMMENDED P.C. BOARD LAYOUT
SHELL SIZE 3 (25 POSITION)



RECOMMENDED P.C. BOARD LAYOUT
SHELL SIZE 4 (37 POSITION)



RECOMMENDED P.C. BOARD LAYOUT
SHELL SIZE 5 (50 POSITION)

THIS DRAWING IS A CONTROLLED DOCUMENT.		DWN: C.C.THOMAS 11-3-99 CHK: CHAD BAKER 12-15-99 APVD: CHAD BAKER 12-15-99 PRODUCT SPEC: - APPLICATION SPEC: - WEIGHT: - CUSTOMER DRAWING: -	TE Connectivity NAME: RECEPTACLE ASSY,AMPLIMITE RIGHT ANGLE,SERIES 109,SIZE 1 THRU 5 SIZE: A1 CAGE CODE: 00779 DRAWING NO: 1218408 RESTRICTED TO: -
DIMENSIONS: INCHES TOLERANCES UNLESS OTHERWISE SPECIFIED: 0 PL ± .010 (0.25) 1 PL ± .010 (0.25) 2 PL ± .010 (0.25) 3 PL ± .010 (0.25) 4 PL ± .010 (0.25) ANGLES ± .4°	FINISH: SEE CALLOUTS	SCALE: 4:1 SHEET: 2 OF 2 REV: D1	

X-ON Electronics

Largest Supplier of Electrical and Electronic Components

Click to view similar products for [D-Sub Standard Connectors](#) category:

Click to view products by [TE Connectivity](#) manufacturer:

Other Similar products are found below :

[DCM37S732N](#) [DAM15P500](#) [DEV09S364GTLF](#) [DEM09P032N](#) [DDM50P732N](#) [DAM15S332N](#) [173109-2218](#) [173109-2466](#) [173109-2469](#)
[173109-2435](#) [56F706-005-LI](#) [56F711-015](#) [015-0341-000](#) [017041-0005](#) [012-9507-114](#) [012-9534-001](#) [609-25P](#) [M24308/2-23Z](#) [M243082310F](#)
[M24308/2-36Z](#) [M243082411F](#) [M24308315F](#) [M24308/4-21](#) [M243084437F](#) [CT0M22-23SS](#) [CT1N36-5SC](#) [CT2-16S-17PS](#) [CT2-20-15PCAU](#)
[CT2-24-12PS](#) [CT2-24-28PSF127A206](#) [CT6F9767-14-4-14S-5PC](#) [CT7-18-10SC](#) [CT7-18-10SCAU](#) [CT7-18-12SCAU](#) [CT7-18-1PC](#) [CT7-18-](#)
[1PCAU](#) [CT7-18-1SC](#) [CT7-18-21SCAU](#) [CT9-16-12PS](#) [M83513/01-FC](#) [M83723/76W24619 L/C](#) [M85049/48-3-2F](#) [69001-865](#)
[6STD09PCM99B70X](#) [6STD09SCM99B30X](#) [6STD09SCT99S40X](#) [6STD15PCT99S40X](#) [6STD15SCM99B30X](#) [6STD15SCT99S40X](#)
[6STF09PCM05B70X](#)