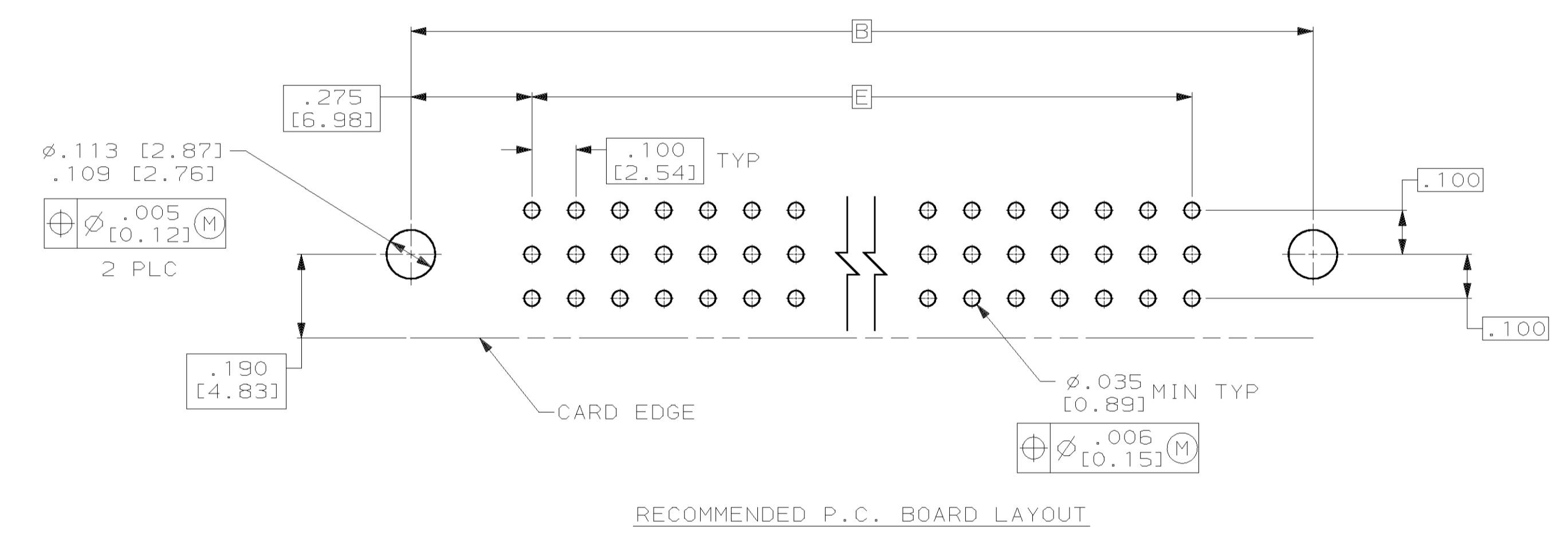
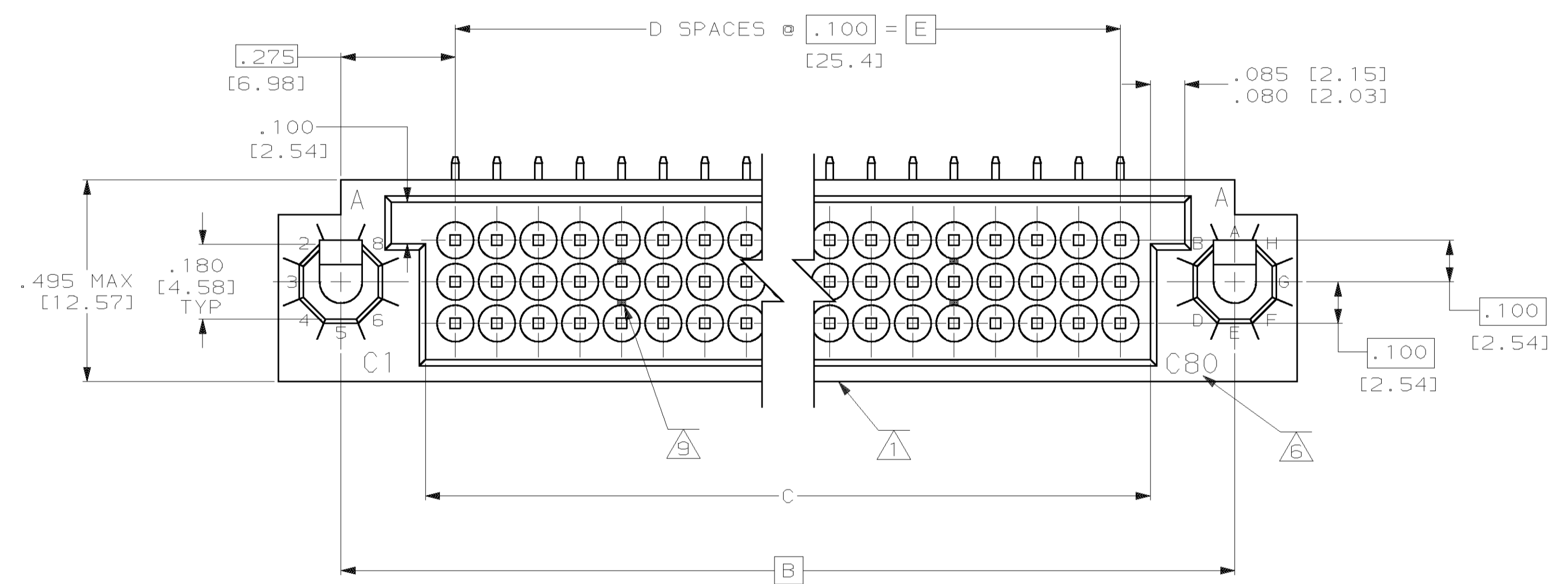
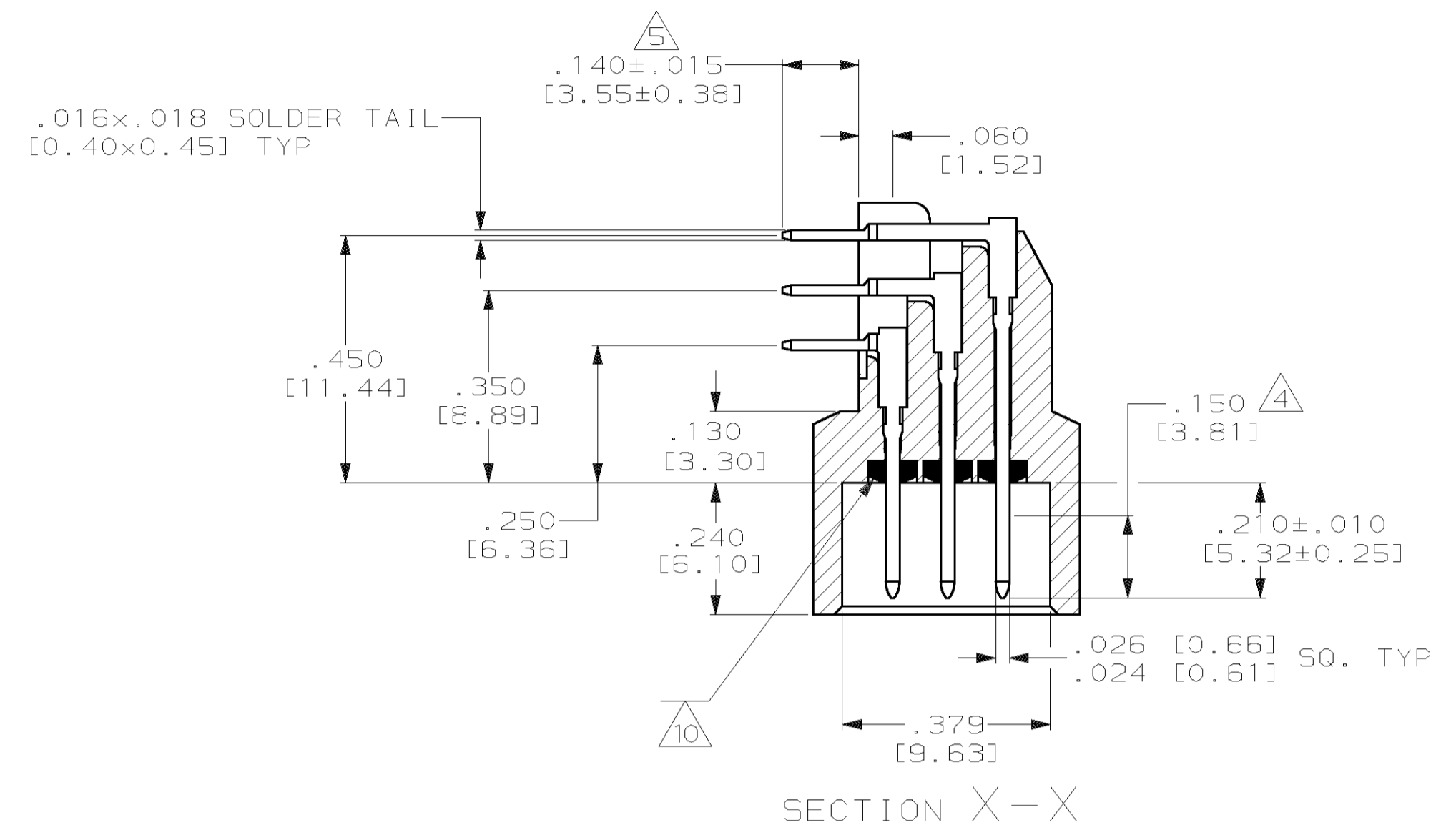
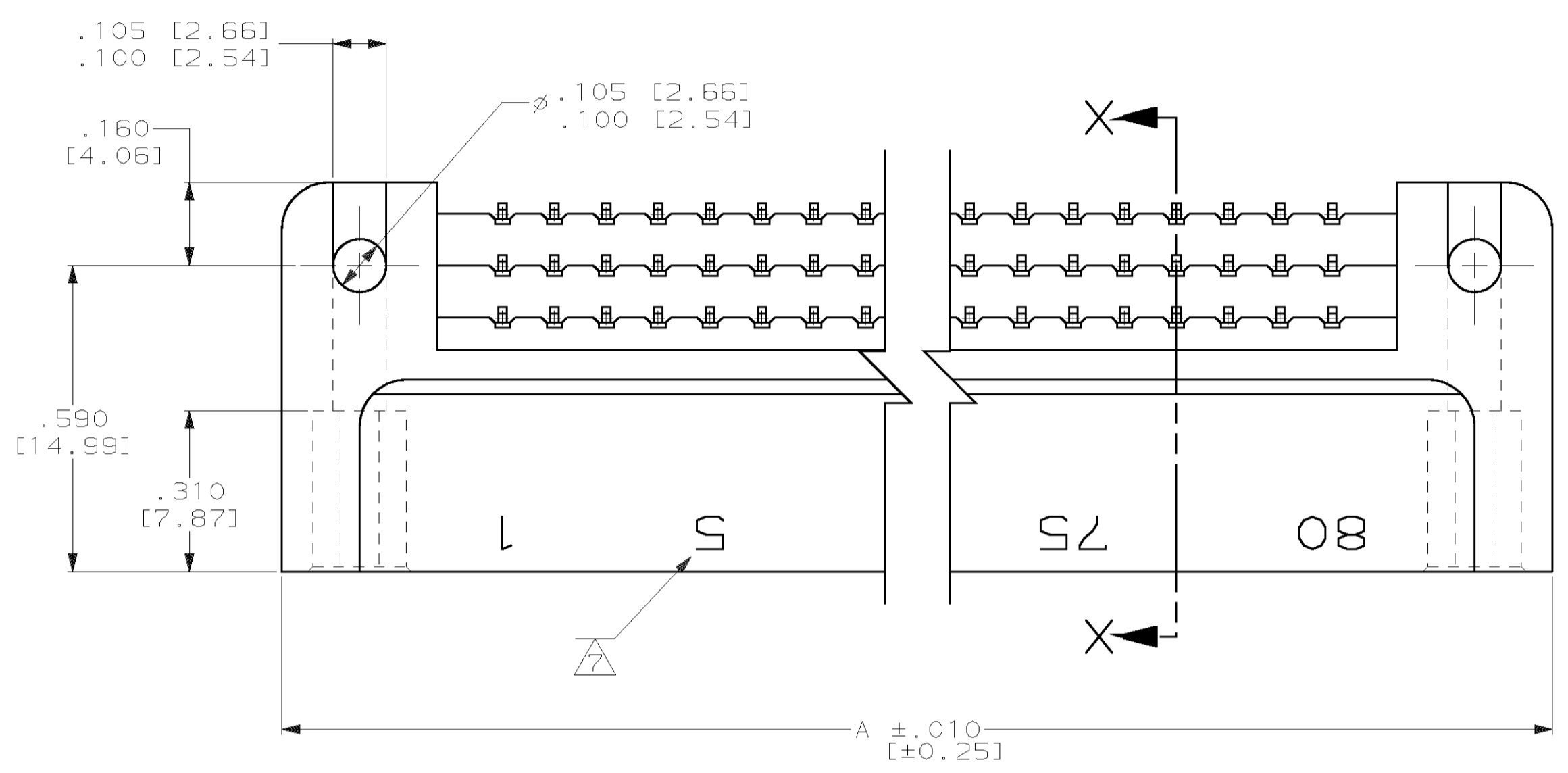


LOC		DIST		REVISIONS			
DF	FO	YR	DESCRIPTION	DATE	DN	APVD	
		0	RELEASED PER 0630-0497-00	10-00	CT	DM	



- 1 CUSTOMER PART NO., 00779, DATE CODE, PART NO. AND "AMP" MARKED ON THIS SIDE.
- 2 HOUSING MAT'L: POLYPHENYLENE SULFIDE, GST-40F PER MIL-M-24519.
- 3 CONTACT MAT'L: BRASS PER QQ-B-626.
- 4 CONTACT FINISH: .000050" [0.00127] GOLD OVER .000050" [0.00127] NICKEL IN CONTACT AREA.
- 5 CONTACT FINISH: .000100" [0.00254] TIN-LEAD OVER .000050" [0.00127] NICKEL
- 6 LETTERS INDICATING OUTSIDE ROWS AND NUMBERS INDICATING END CAVITIES (ROW C ONLY) MARKED ON THIS SURFACE.
- 7 NUMBERS INDICATING EVERY FIVE CAVITIES MARKED ON BOTH SIDES.
- 8. MEETS ALL REQUIREMENTS OF MIL-C-55302.
- 9 LINES INDICATING EVERY FIVE CAVITIES MARKED ON MATING FACE, EXCEPT END CAVITIES, STARTING AT POSN. #1.
- 10 EPOXY SEALANT TO PREVENT WICKING OF FLUXES AND CONFORMAL COATING INTO THE CONTACT ENGAGEMENT AREA.

93346-1452737-1	6.400 [162.56]	64	6.544 [166.21]	6.950 [176.53]	7.250 [184.15]	195	1218575-1
CUSTOMER PART NO.	E	D	C	B	A	POSN.	PART NO.

THIS DRAWING IS A CONTROLLED DOCUMENT.		DWG: C.C. THOMAS 10/19/00		AMP Incorporated	
DIMENSIONS: INCHES (mm)		CHK: D. MILLER 10-24-00		Harrisburg, PA 17105-3608	
TOLERANCES UNLESS OTHERWISE SPECIFIED:		APP'D: D. MILLER 10-24-00		NAME: PIN HEADER ASSY, RIGHT ANGLE, SEALED WITH MOUNTING EARS	
0 PLC ±.005	1 PLC ±.005	PRODUCT SPEC: -		SIZE: A1	
2 PLC ±.005	3 PLC ±.005	APPLICATION SPEC: -		CAGE CODE: 00779	
4 PLC ±.005	5 PLC ±.005	MATERIAL: -		DRAWING NO: 1218575	
6 PLC ±.005	7 PLC ±.005	FINISH: -		RESTRICTED TO: -	
8 PLC ±.005	9 PLC ±.005	WEIGHT: -		SCALE: 4:1	
10 PLC ±.005	11 PLC ±.005	CUSTOMER DRAWING		SHEET 1 OF 1	
				REV 0	

## X-ON Electronics

Largest Supplier of Electrical and Electronic Components

*Click to view similar products for [Headers & Wire Housings](#) category:*

*Click to view products by [TE Connectivity](#) manufacturer:*

Other Similar products are found below :

[892-18-020-10-001101](#) [58102-G61-06LF](#) [582553-1](#) [0009485154](#) [009176003701906](#) [0050291907](#) [LY20-4P-DT1-P1E-BR](#) [02.125.8002.8](#)  
[609-3404](#) [61062-3](#) [61082-181009](#) [622-3653LF](#) [63453-116](#) [636-1030](#) [636-1427](#) [636-3427](#) [636-4007](#) [641938-9](#) [641991-4](#) [644827-2](#) [65817-](#)  
[010LF](#) [65817-015LF](#) [65863-015LF](#) [66207-023LF](#) [67095-007LF](#) [67601157](#) [68645-018](#) [68648-049](#) [70.362.1628.0](#) [70-4210](#) [70-4226B](#) [70-](#)  
[4853B](#) [707-5020](#) [707-5028](#) [71.350.2428.0](#) [71918-208LF](#) [71961-016LF](#) [733-134](#) [733-162](#) [754199-000](#) [760-3052](#) [787-8014-00](#) [79531-3000](#)  
[FCN-360C032-B](#) [FCN-367T-T012/H](#) [FCN-723D010/2](#) [80.063.4001.1](#) [800-90-001-10-001000](#) [800-90-010-10-002000](#) [801-43-002-10-013000](#)