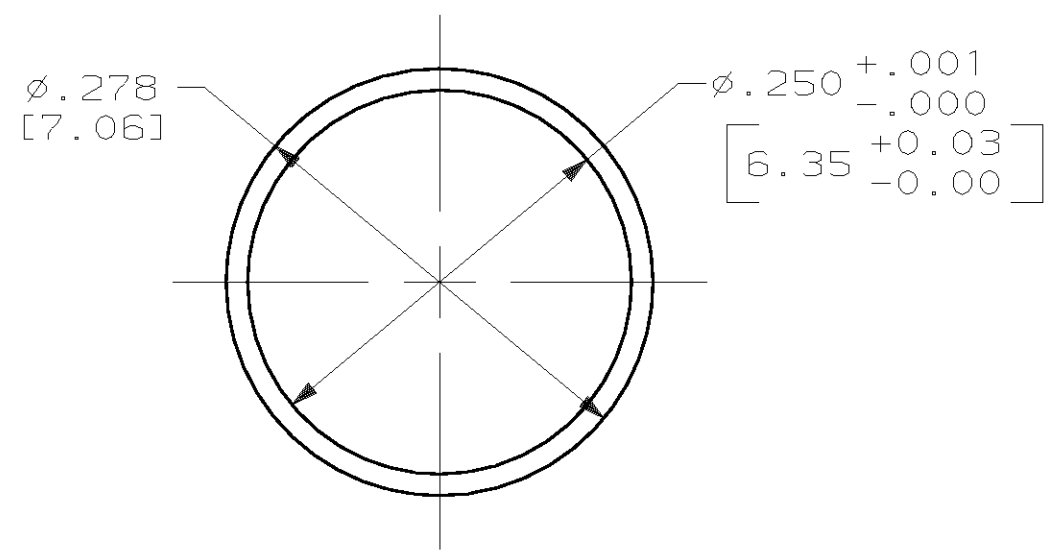
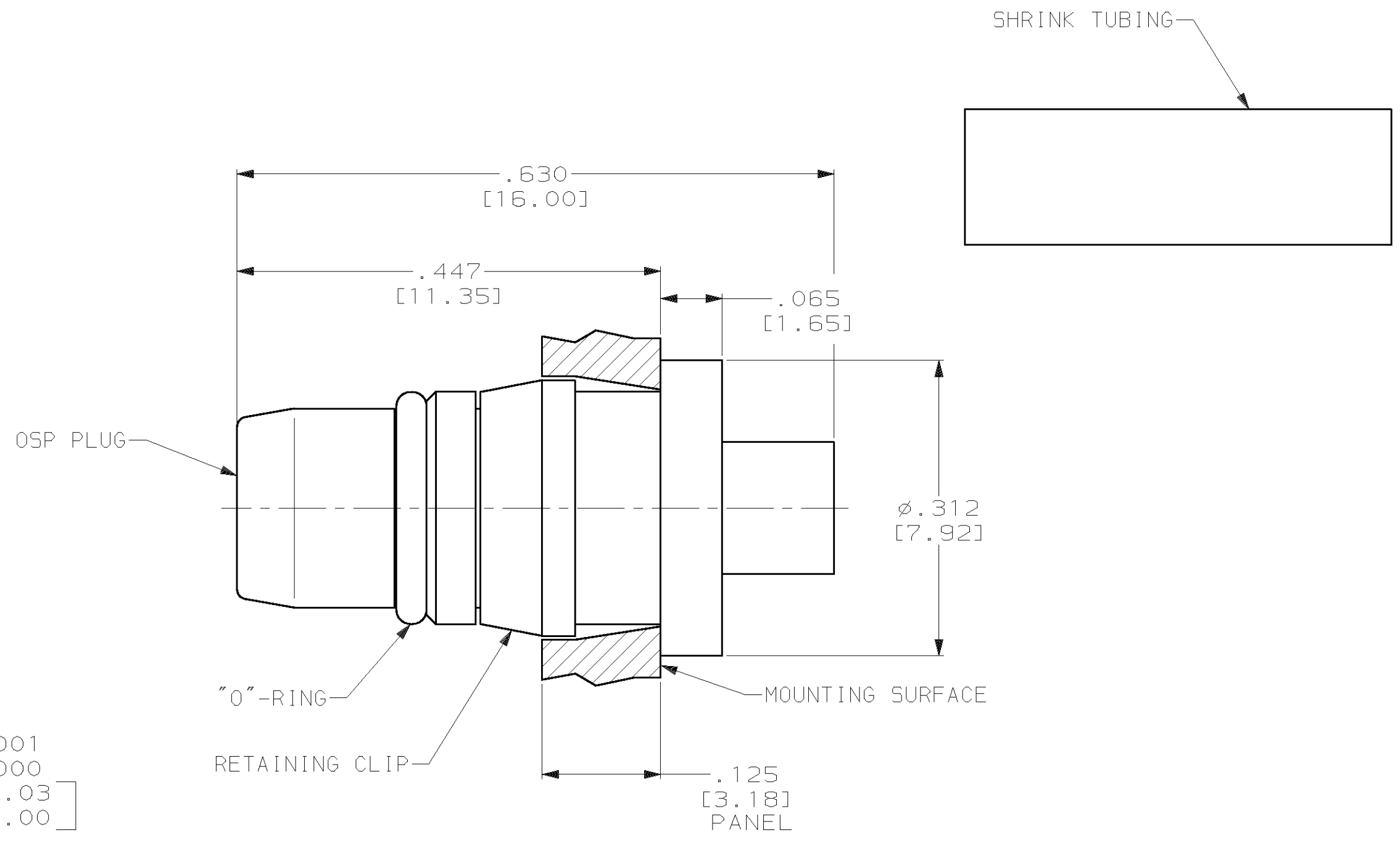


THIS DRAWING IS UNPUBLISHED. RELEASED FOR PUBLICATION
 (C) COPYRIGHT 19 BY AMP INCORPORATED, ALL RIGHTS RESERVED.

LOC		DIST		REVISIONS			
P	LTR	DESCRIPTION	DATE	DWN	APVD		
DF	XO	0	RELEASED	10-01	CT	RG	

COMPONENT	MATERIAL	FINISH
HOUSING CLAMP NUT MOUNTING NUT	STAINLESS STEEL PER ASTM-A-484 OR ASTM-A-582 TYPE 303	GOLD PLATED PER ASTM-B-488
DIELECTRIC	PTFE FLUORCARBON PER ASTM-D-1457	-
CENTER CONTACT	BERYLLIUM COPPER PER ASTM-B-196 OR ASTM-B-197 ALLOY C17300, CONDITION H	GOLD PLATED PER ASTM-B-488
"O"-RING	BUNA-N PER MIL-P-25732	-
SHRINK TUBING	HEAT SHRINKABLE POLYOLEFIN COMPOUND PER MIL-I-23053/4	-



RECOMMENDED MOUNTING HOLE

1218776-1
PART NO.

DESIGNED TO USE .085 SR CABLE CABLE ENTRY DIAMETER MIN		THIS DRAWING IS A CONTROLLED DOCUMENT.		DWN C.C. THOMAS 10-3-01 CHK R.GROSS 10-3-01 APVD R.GROSS 10-3-01		AMP TYCO Electronics Corporation Harrisburg, PA 17105-3608	
HOUSING: .089	MATERIAL SEE TABLE	DIMENSIONS: INCHES [mm]		TOLENCES UNLESS OTHERWISE SPECIFIED: 0 PLC ±- 1 PLC ±- 2 PLC ±- 3 PLC ±.005 [0.13] 4 PLC ±- ANGLES ±-		NAME OSP REAR MOUNT FEED-THRU CABLE PLUG, RF	
CONTACT: .020	FINISH SEE TABLE	MATERIAL SEE TABLE		FINISH SEE TABLE		SIZE A2 CAGE CODE 00779 DRAWING NO. 1218776 RESTRICTED TO -	
CUSTOMER DRAWING				SCALE 8:1		SHEET 1 OF 1 REV 0	

1218776

X-ON Electronics

Largest Supplier of Electrical and Electronic Components

Click to view similar products for [RF Connectors](#) / [Coaxial Connectors](#) category:

Click to view products by [TE Connectivity](#) manufacturer:

Other Similar products are found below :

[8915-1511-000](#) [89674-0827](#) [6001-7071-019](#) [6002-7051-003](#) [6002-7551-202](#) [6059674-1](#) [619550-1](#) [630059-000](#) [M39030/3-01N](#) [6500-7071-046](#) [6769](#) [CX050L2AQ](#) [7002-1541-010](#) [7002-1542-011](#) [7004-1512-000](#) [7009-1511-004](#) [7010-1511-000](#) [7029-1511-060](#) [7101-1541-010](#) [7101-1571-002](#) [7145-1521-002](#) [7203-1571-003](#) [7209-1511-011](#) [7210-1511-015](#) [7210-1511-019](#) [73137-5015](#) [73216-2241](#) [73404-2300](#) [7405-1521-005](#) [7405-1521-802](#) [8527](#) [8547](#) [FS11V](#) [877931](#) [8808-1511-001](#) [9049-9513-000](#) [9074-9513-000](#) [9101-9573-002](#) [910A205F](#) [9130-9573-002](#) [PL11SC-026](#) [PL375-33](#) [PL40-5](#) [PL74C-221](#) [PL75MC-217](#) [PL803-7](#) [1200690078](#) [1-201144-1](#) [R107003010W](#) [R110A172100](#)