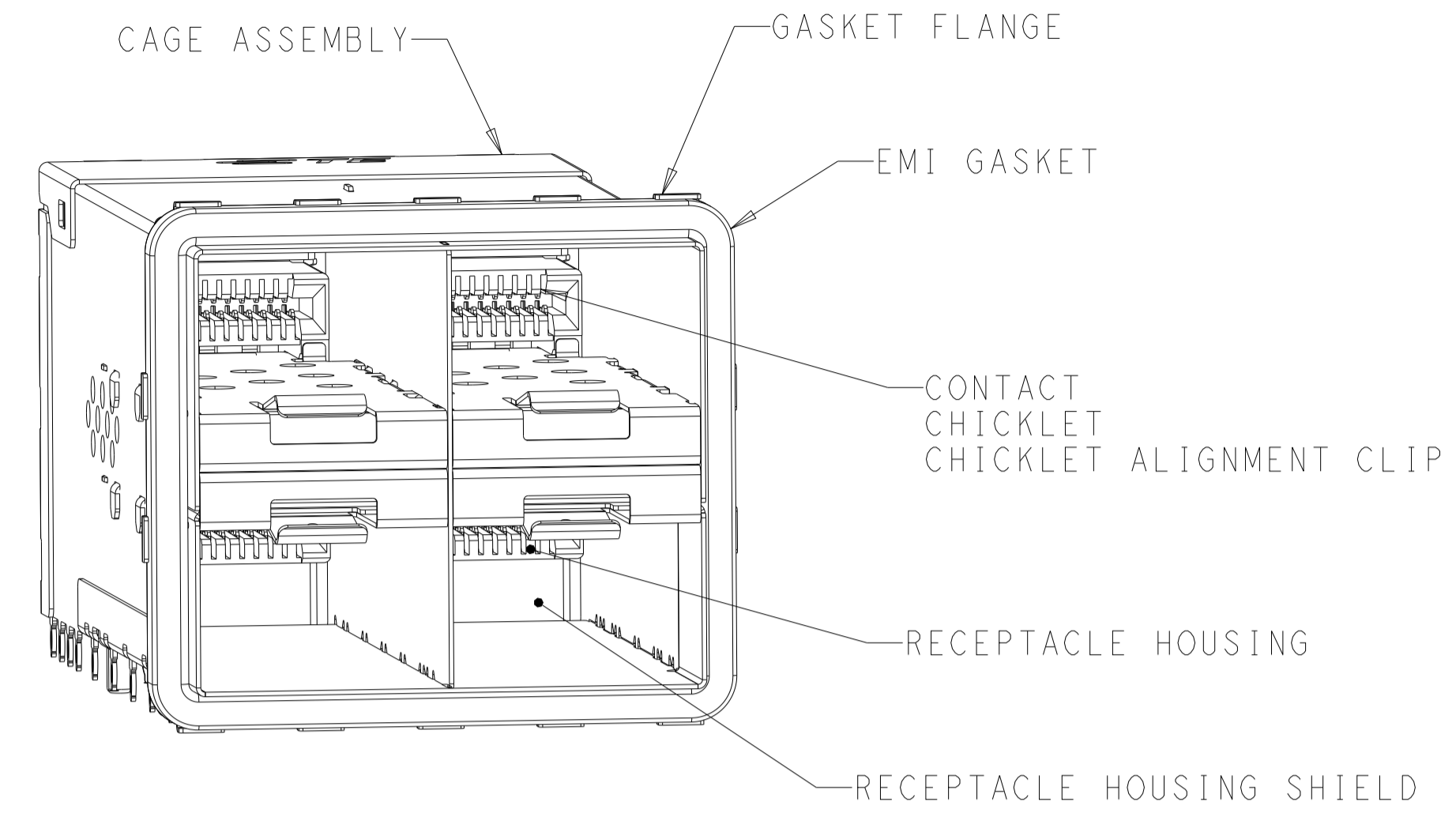
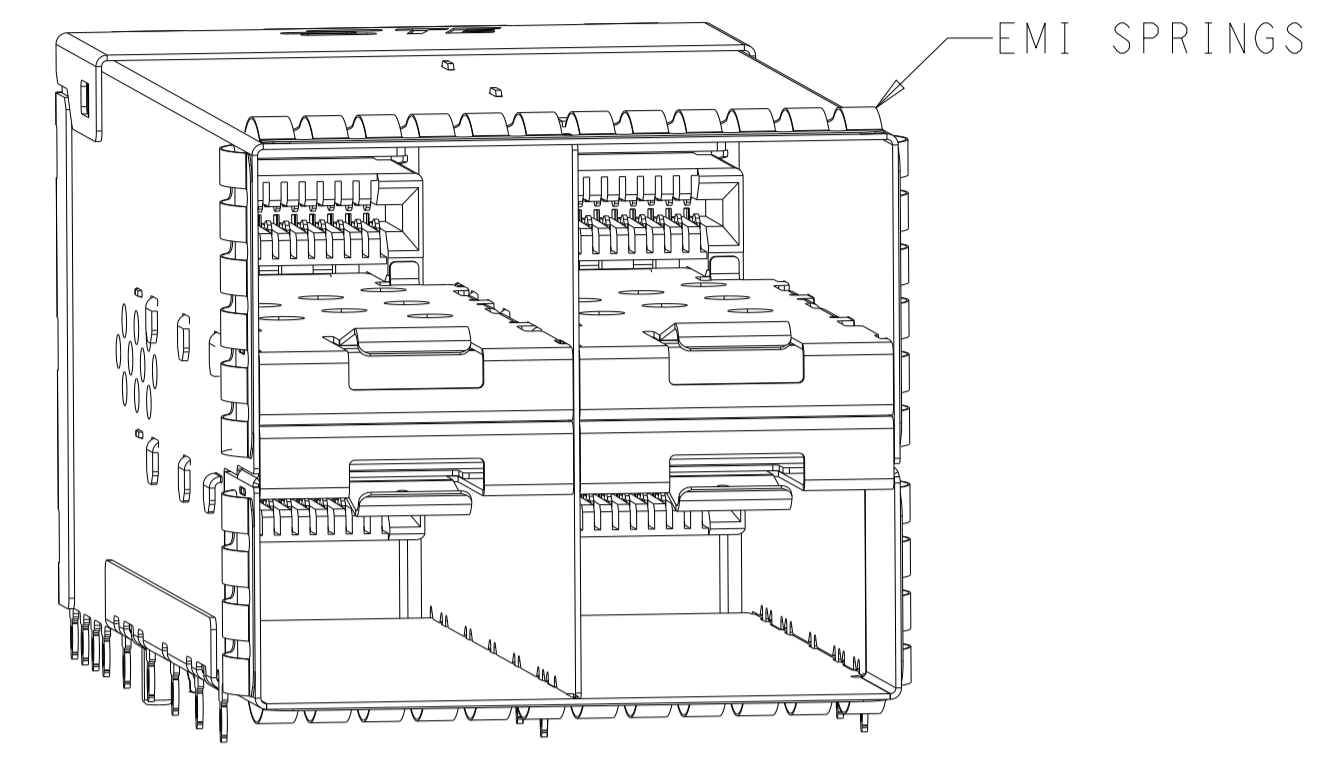


| LOC | DIST | REVISIONS | | | |
|-----|------|-----------|----------------------------|-----------|---------|
| GP | 00 | REV | DESCRIPTION | DATE | APP'D |
| | | A | RELEASED PER ECO-14-008758 | 13JUN2014 | CJV PAR |
| | | B | REVISED PER ECO-15-010819 | 10AUG2015 | PP SH |
| | | C1 | REVISED PER ECR-21-002578 | 02MAR2021 | SZ SZ |



2198325-1
SCALE 3:1



2198325-5
SCALE 3:1

- MATERIALS:
 CAGE ASSEMBLY - NICKEL-SILVER ALLOY PER ASTM B 122
 CONNECTOR HOUSING - LCP, BLACK, UL 94V-O RATED
 CONNECTOR HOUSING SHIELD - COPPER ALLOY
 CHICKLET - LCP, BLACK, UL 94V-O RATED
 CHICKLET ALIGNMENT CLIP - PBT
 CONTACT - COPPER ALLOY
 EMI GASKET - ELASTOMERIC
 GASKET FLANGE - STAINLESS STEEL
 EMI SPRINGS - PHOSPHOR BRONZE PER ASTM B 103,
 0.8µm MIN TIN PER ASTM B 545
 LIGHT PIPE - POLYCARBONATE
 LIGHT PIPE HOUSING - ZINC ALLOY

- CONTACT FINISH:
 CONFORMS TO THE REQUIREMENTS OF PRODUCT SPECIFICATION 108-2481, BASED ON EIA/ECA-364-1000.01A, CONTROLLED ENVIRONMENT APPLICATIONS) ON MATING INTERFACE, TIN ON NEEDLE EYE

- PCB MINIMUM THICKNESS = 1.5mm

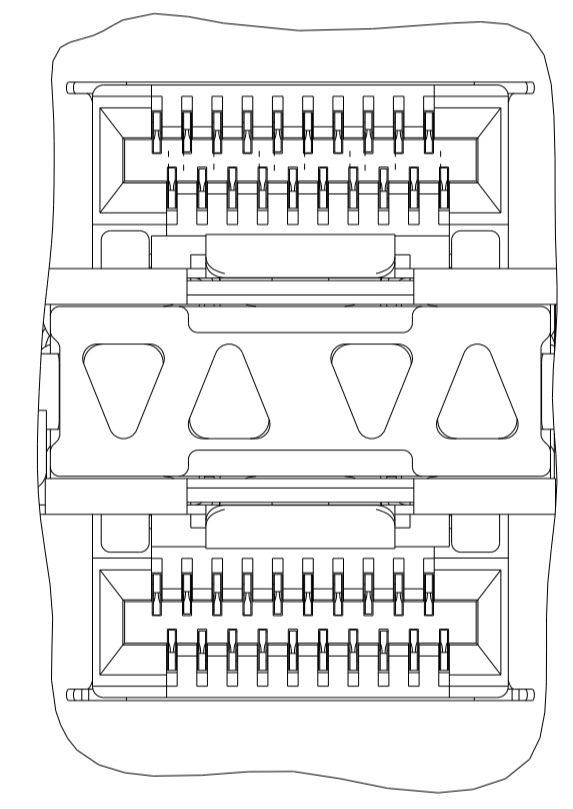
△ FOR HOLE SIZE AND PLATINGS, SEE APPLICATION SPECIFICATION 114-13319

△ LIGHT PIPE PAD LAYOUT IS FOR 0805 LOW PROFILE LED PACKAGE WITH A HEIGHT OF 0.8mm

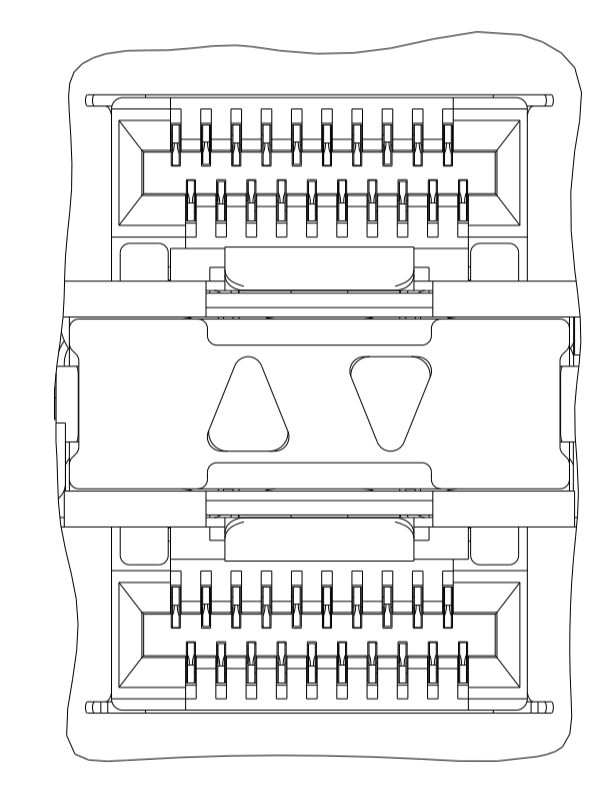
△ DIMENSIONS APPLY FOR EMI SPRINGS ONLY

△ THE ENTIRE AREA OF THE CONNECTOR FOOTPRINT, INDICATED BY THE DASHED LINE, TO BE CONSIDERED THE KEEPOUT AREA FOR COMPONENTS AND SIGNAL TRACES, TOP SIDE ONLY, TOP SIDE TRACES ALLOWED WITHIN CONNECTOR HOLE PATTERN

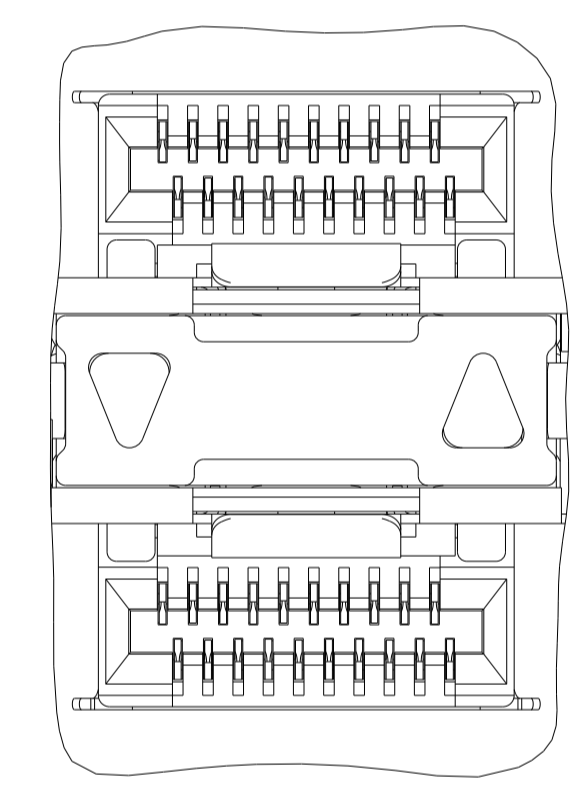
△ AIRFLOW ENHANCE VERSION



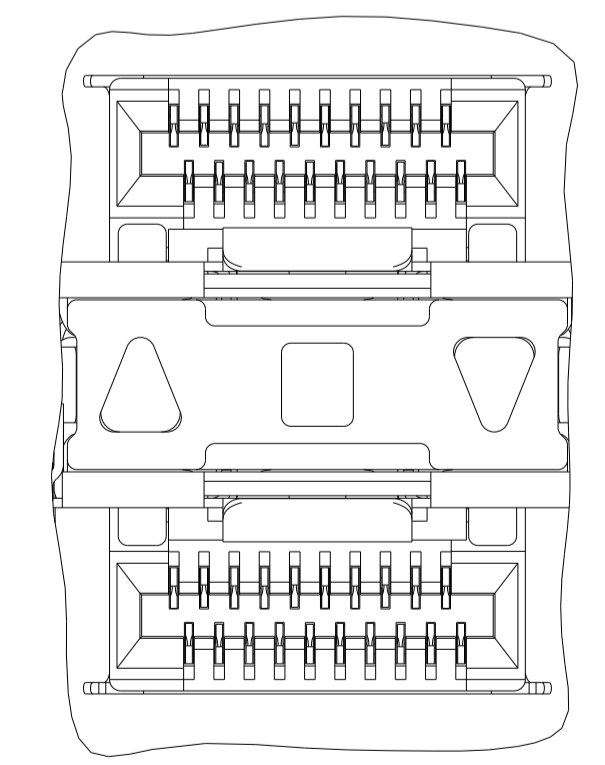
INNER/OUTER LIGHT PIPES
2198325-2, 2198325-6
SCALE 5:1



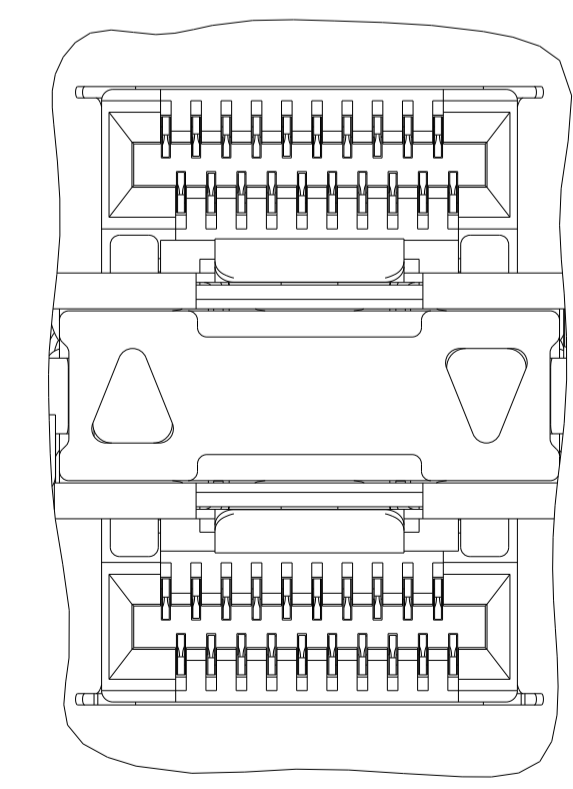
INNER LIGHT PIPES
2198325-3, 2198325-7
SCALE 5:1



OUTER LIGHT PIPES
2198325-4, 2198325-8
SCALE 5:1



CENTER/REVERSED OUTER LIGHT PIPES
1-2198325-7, 1-2198325-9
SCALE 5:1



REVERSED OUTER LIGHT PIPES
1-2198325-8, 2-2198325-0
SCALE 5:1

| | | | | |
|-----|-----------|--------------------------|-----------------------|-------------|
| △ | 31 | EMI SPRINGS | REVERSE OUTER | 3-2198325-3 |
| △ | 31 | EMI SPRINGS | CENTER/REVERSE OUTER | 3-2198325-2 |
| | 31 | EMI SPRINGS | CENTER/REVERSE OUTER | 3-2198325-1 |
| | 31 | EMI SPRINGS | NONE | 3-2198325-0 |
| | 31 | EMI SPRINGS | REVERSED OUTER | 2-2198325-0 |
| | | | CENTER/REVERSED OUTER | 1-2198325-9 |
| | 33.75 | EMI GASKET | REVERSED OUTER | 1-2198325-8 |
| | | | CENTER/REVERSED OUTER | 1-2198325-7 |
| | 31 | EMI SPRINGS | OUTER | 2198325-8 |
| | | | INNER | 2198325-7 |
| | | | INNER/OUTER | 2198325-6 |
| | 33.75 | EMI GASKET | NONE | 2198325-5 |
| | | | OUTER | 2198325-4 |
| | | | INNER | 2198325-3 |
| | | | INNER/OUTER | 2198325-2 |
| | | | NONE | 2198325-1 |
| (E) | CAGE TYPE | LIGHT PIPE CONFIGURATION | | PART NUMBER |

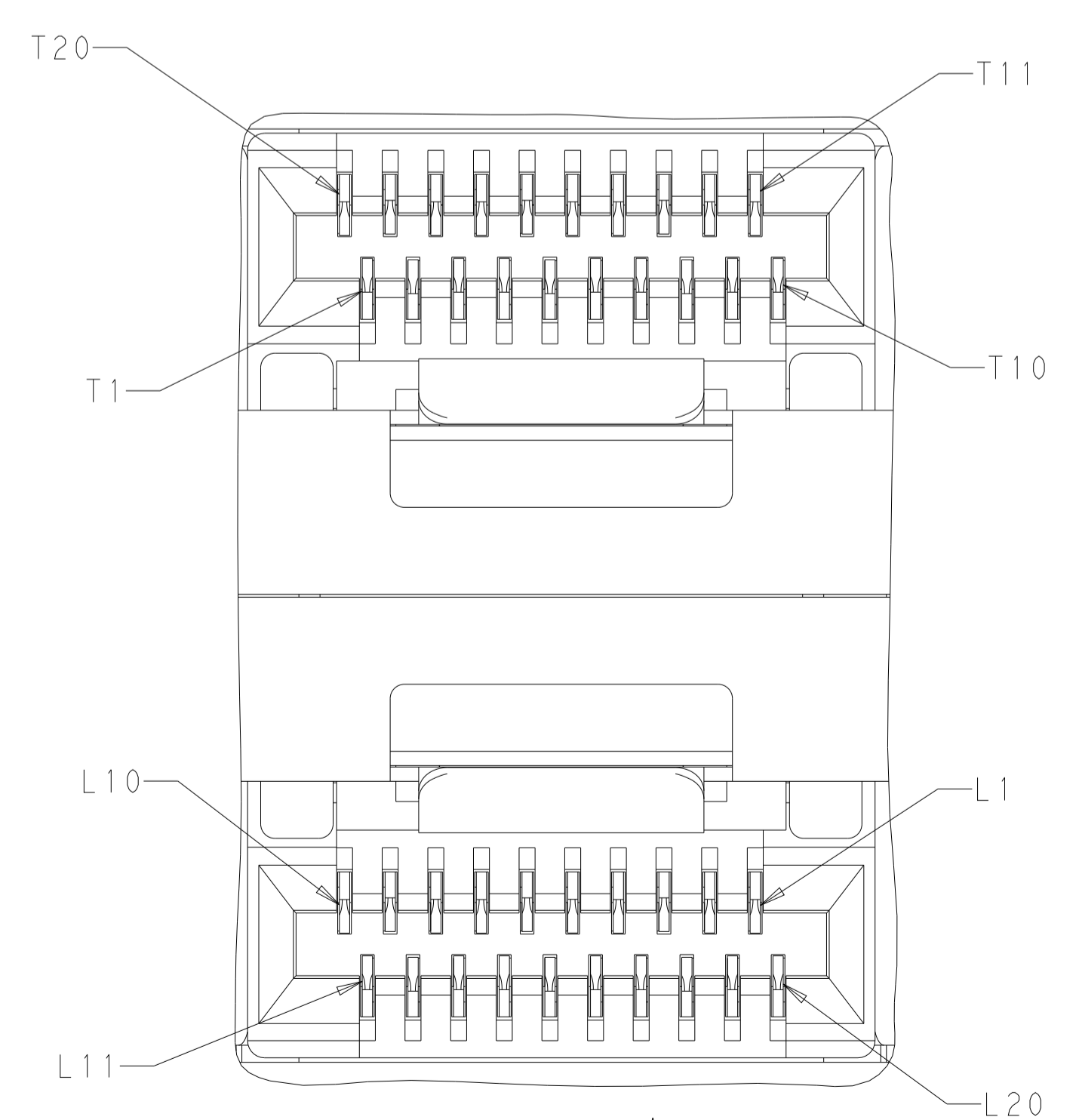
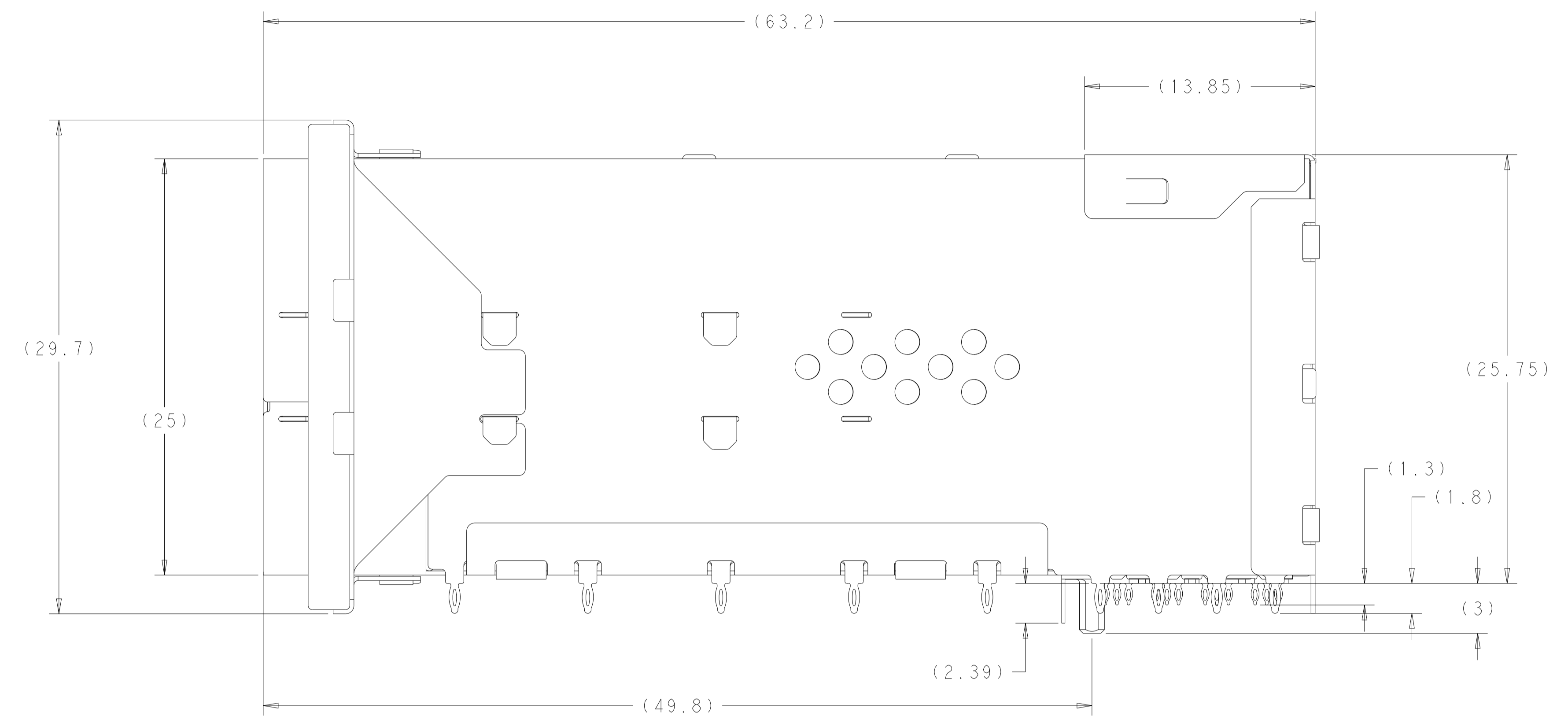
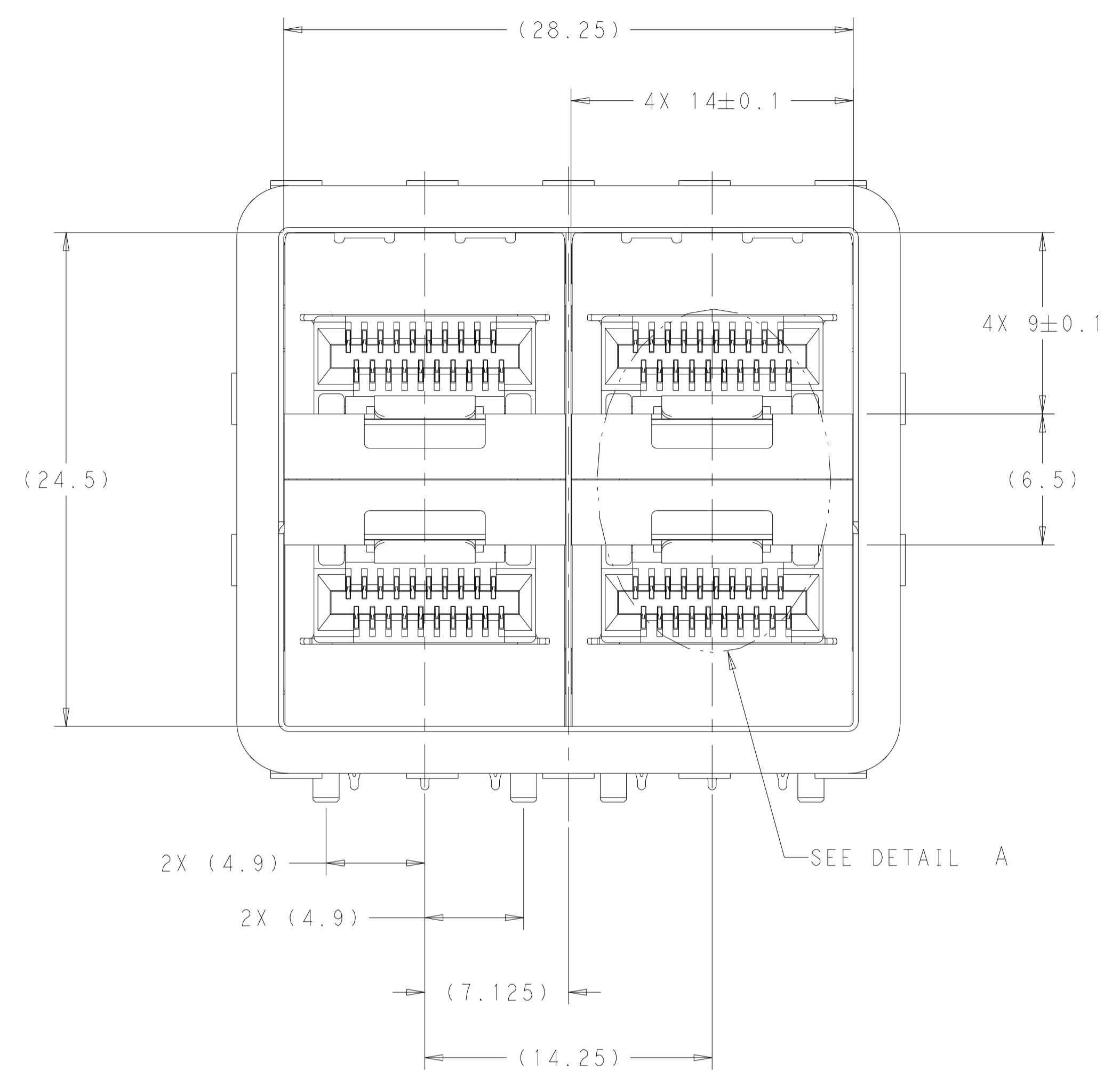
THIS DRAWING IS A CONTROLLED DOCUMENT.

DIMENSIONS: mm
 TOLERANCES UNLESS OTHERWISE SPECIFIED:
 0 PLC ±
 1 PLC ±
 2 PLC ±
 3 PLC ±
 4 PLC ±
 ANGLES ±
 FINISH SEE NOTES

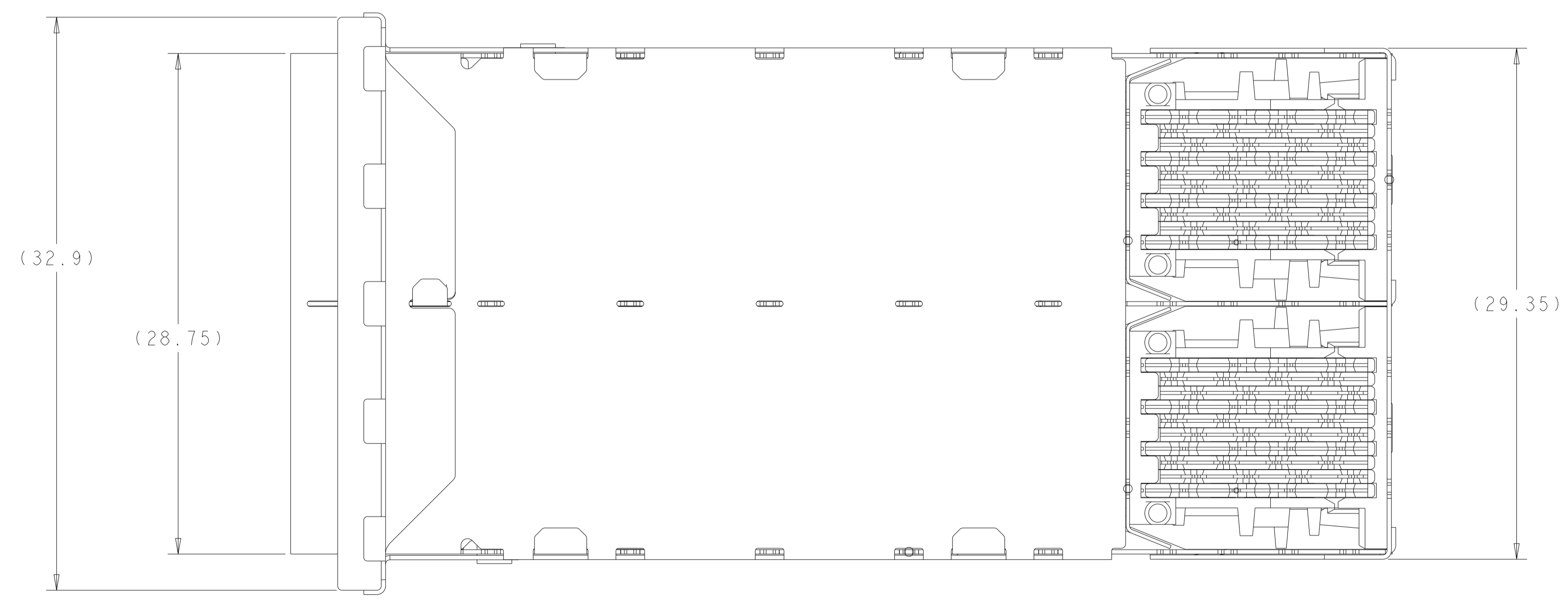
DWG: M.E. CONNER 06OCT2011
 CHK: M.D. MORRISON 06OCT2011
 APVD: M.D. MORRISON 07OCT2011
 NAME: RECEPTACLE ASSEMBLY, 2X2, STACKED, zSFP+
 PRODUCT SPEC: 108-2481
 APPLICATION SPEC: 114-13319
 WEIGHT: -
 Customer Drawing

STE TE Connectivity
 SIZE: A1 00779
 CAGE CODE: C=2198325
 SCALE: 4:1 SHEET 1 OF 6 REV: C1

| LOC | | DIST | | REVISIONS | | | | |
|-----|-----|------|-----|-----------|-------------|------|-----|------|
| P | LTN | DATE | DMN | APVD | DESCRIPTION | DATE | DMN | APVD |
| - | - | - | - | - | SEE SHEET 1 | - | - | - |



DETAIL A
 2 PLACES
 SCALE 10:1



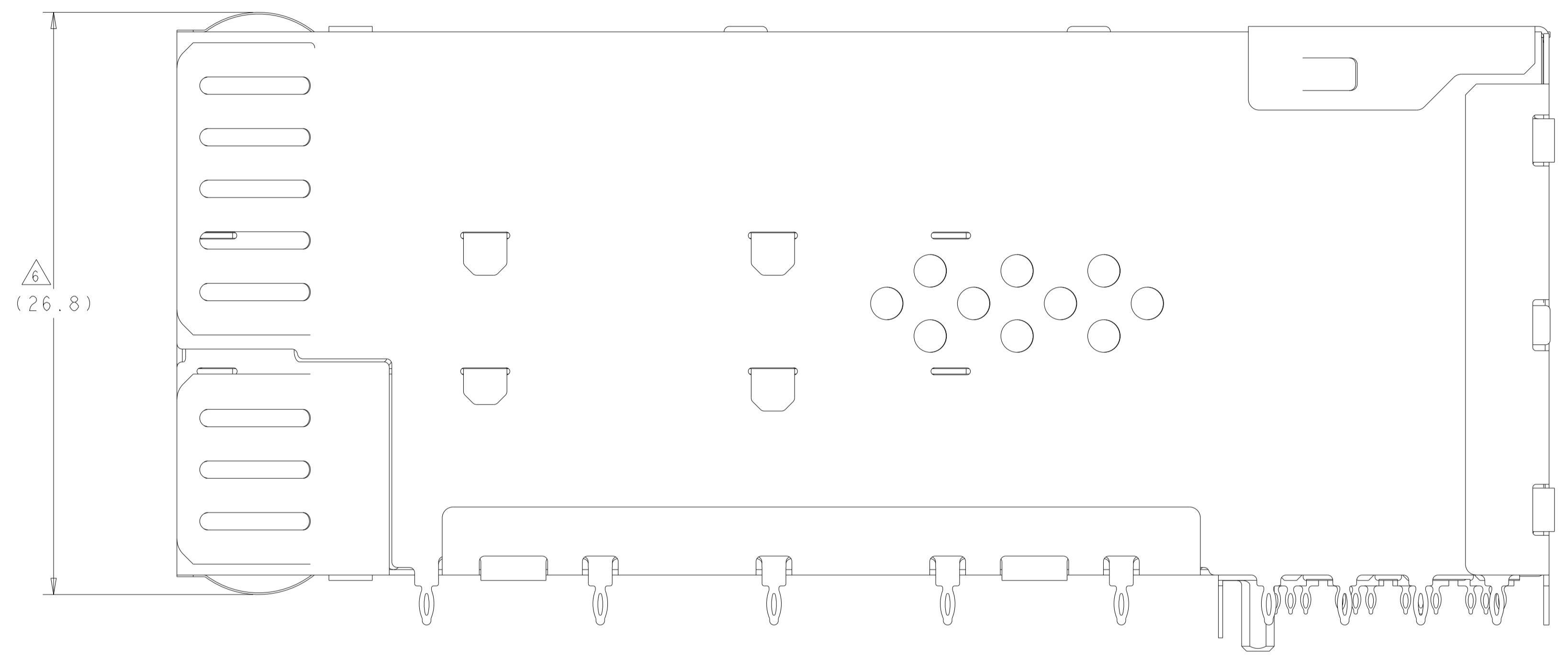
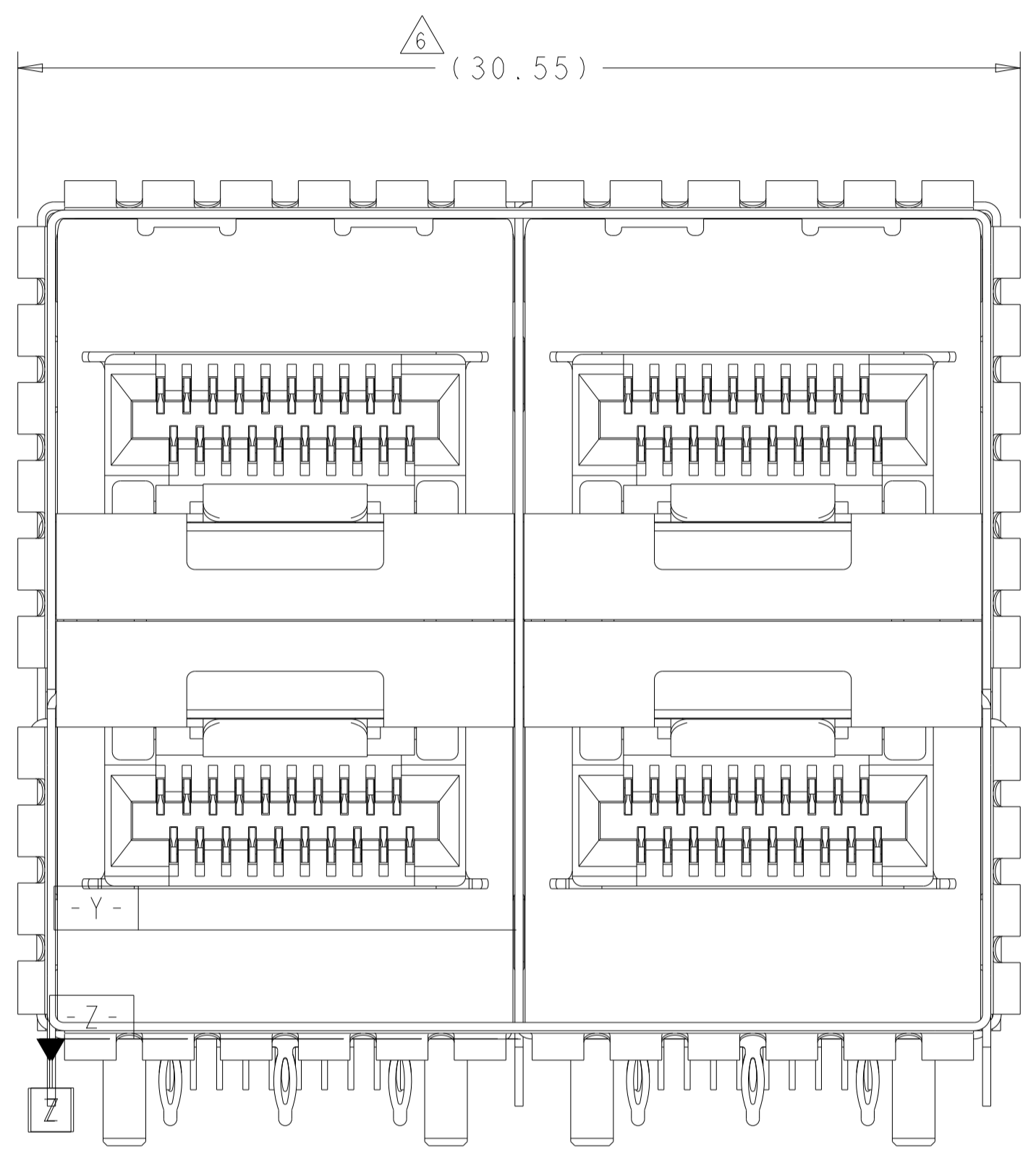
THIS DRAWING IS A CONTROLLED DOCUMENT.

| | | | | | |
|---------------------|--|----------------------------|------------------------------|-------------------------------|--|
| DIMENSIONS: | TOLERANCES UNLESS OTHERWISE SPECIFIED: | OWN: M.E. CONNER 06OCT2011 | CHK: M.D. MORRISON 06OCT2011 | APVD: M.D. MORRISON 07OCT2011 | NAME: RECEPTACLE ASSEMBLY, 2X2, STACKED, zSFP+ |
| mm | 0 PLC ± | 1 PLC ± | 2 PLC ± | 3 PLC ± | 4 PLC ± |
| ANGLES | FINISH | 114-13319 | WEIGHT | SCALE: 5:1 | SHEET 2 OF 6 |
| MATERIAL: SEE NOTES | FINISH: SEE NOTES | Customer Drawing | Customer Drawing | SCALE: 5:1 | SHEET 2 OF 6 |

STE TE Connectivity

RESTRICTED TO

| LOC | DIST | REVISIONS | | | | | |
|-----|------|-----------|-----|-------------|------|-----|------|
| GP | 00 | P | LTN | DESCRIPTION | DATE | DMN | APVD |
| | | - | | SEE SHEET 1 | | | |
| | | | | | | | |
| | | | | | | | |



2198325-5 THRU 2198325-8, 1-2198325-9, 2-2198325-0
 EMI SPRINGS ONLY
 SCALE 6:1

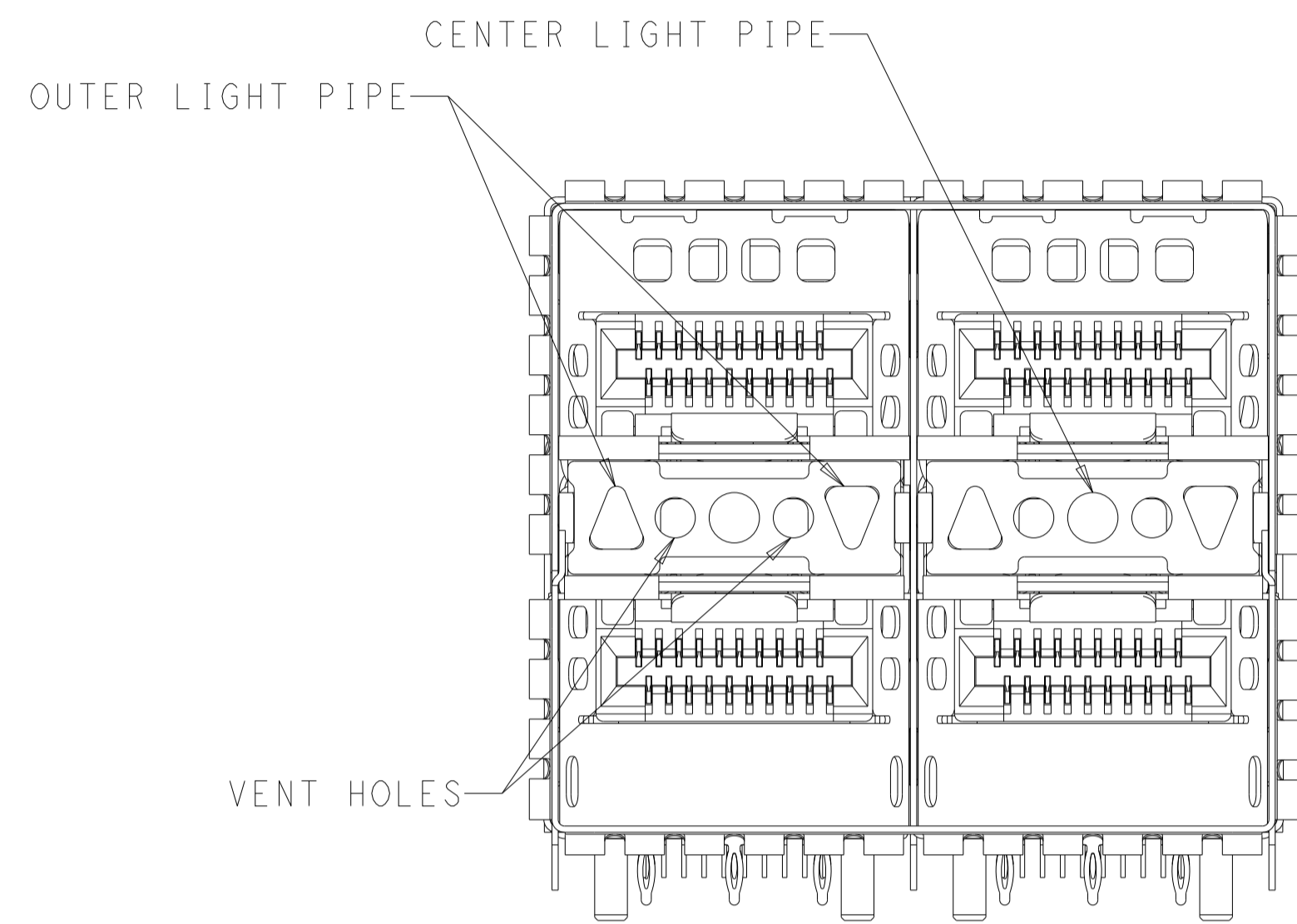
THIS DRAWING IS A CONTROLLED DOCUMENT.

| | | | |
|-----------------------|---|---|--|
| DIMENSIONS: mm | TOLERANCES UNLESS OTHERWISE SPECIFIED: 0 PLC ± 1 PLC ± 2 PLC ± 3 PLC ± 4 PLC ± ANGLES ± FINISH ± | DWN M.E. CONNER 06OCT2011 CHK M.D. MORRISON 06OCT2011 APVD M.D. MORRISON 07OCT2011 PRODUCT SPEC 108-2481 APPLICATION SPEC 114-13319 WEIGHT - Customer Drawing | NAME RECEPTACLE ASSEMBLY, 2X2, STACKED, zSFP+ SIZE CAGE CODE DRAWING NO. A100779C=2198325 RESTRICTED TO - SCALE 4:1 SHEET 3 OF 6 REV C1 |
|-----------------------|---|---|--|

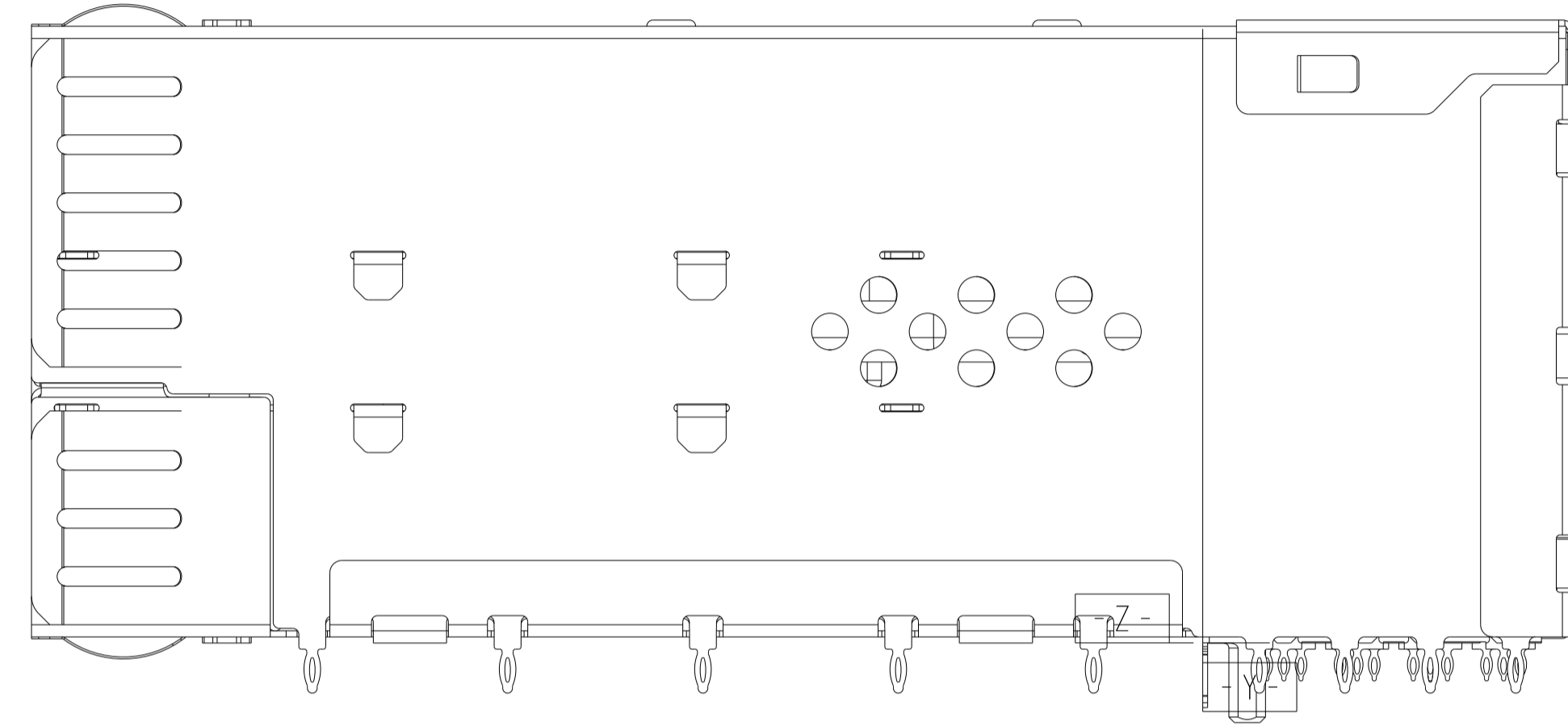
4805 (3/11)

| LOC | DIST | REVISIONS | | | | | |
|-----|------|-----------|-----|-------------|------|-----|------|
| GP | 00 | P | LTN | DESCRIPTION | DATE | DMN | APVD |
| | | - | | SEE SHEET 1 | | | |

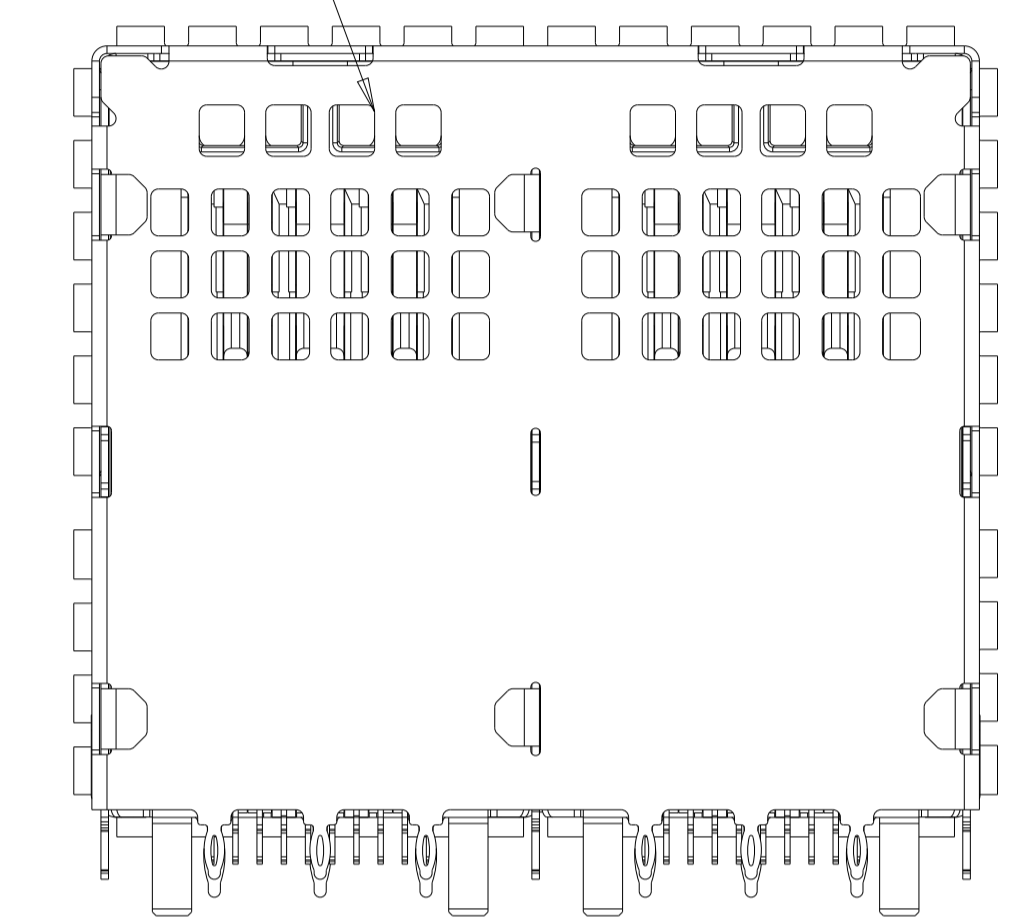
3-2198325-2 AIR FLOW ENHANCE VERSION UNMARKED DIMENSION SAME AS 2198325-5



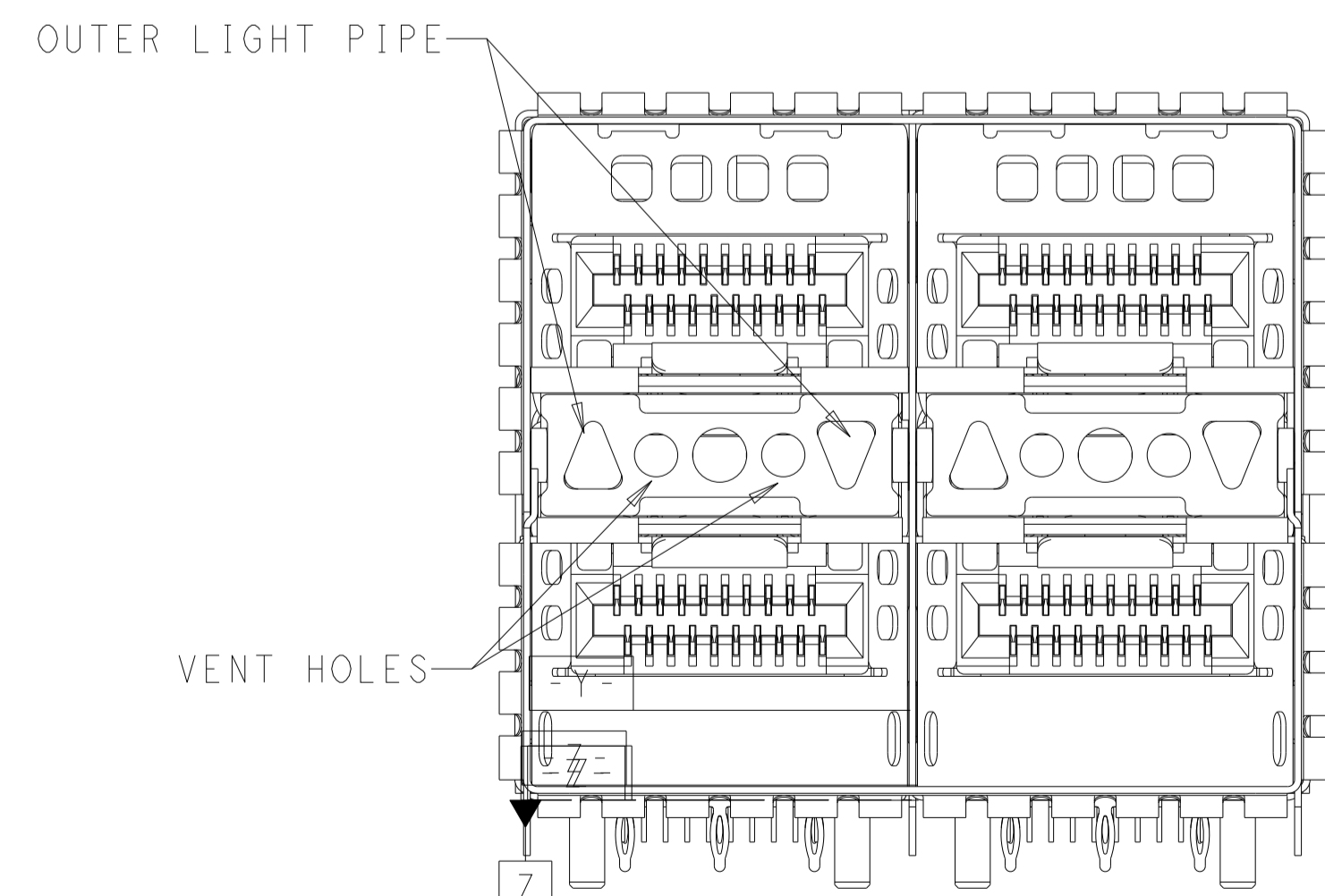
SCALE 4:1



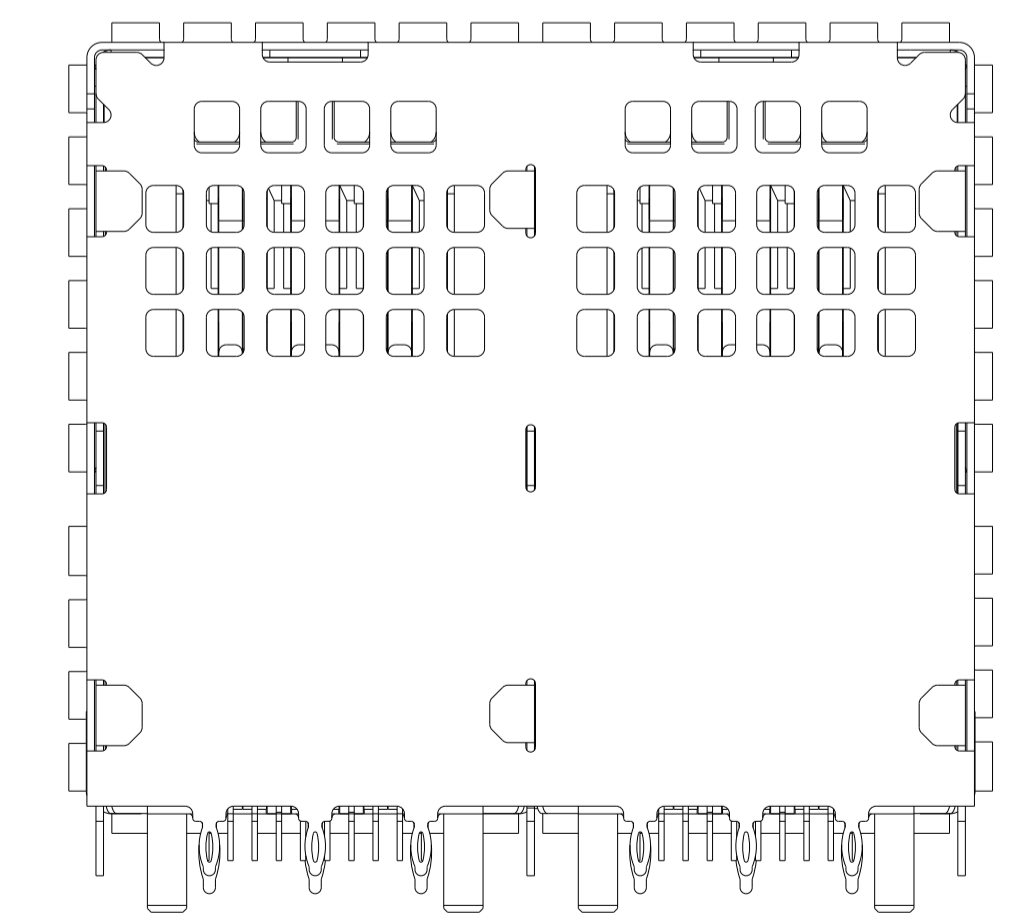
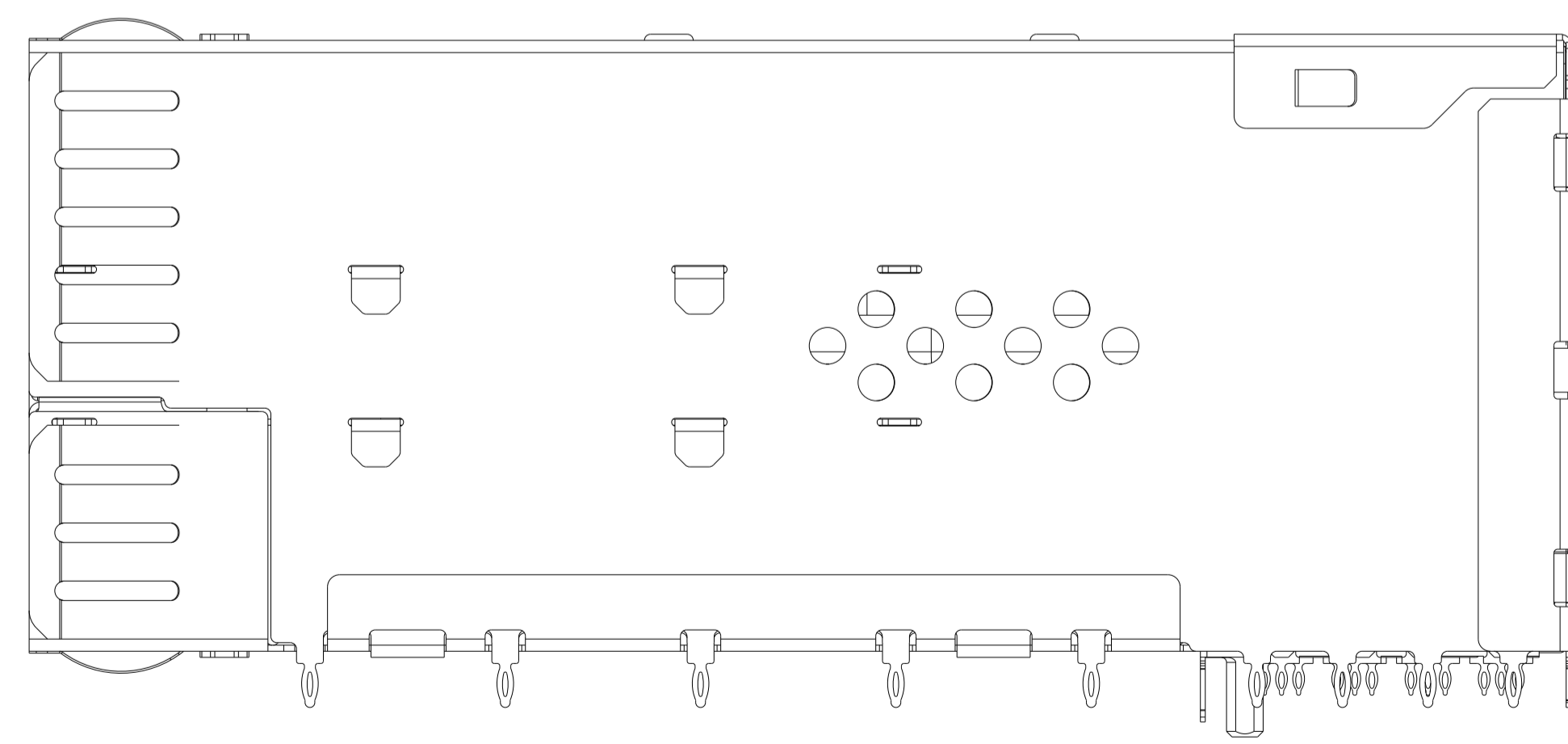
VENT HOLES PATTERN



3-2198325-3 AIR FLOW ENHANCE VERSION UNMARKED DIMENSION SAME AS 2198325-5

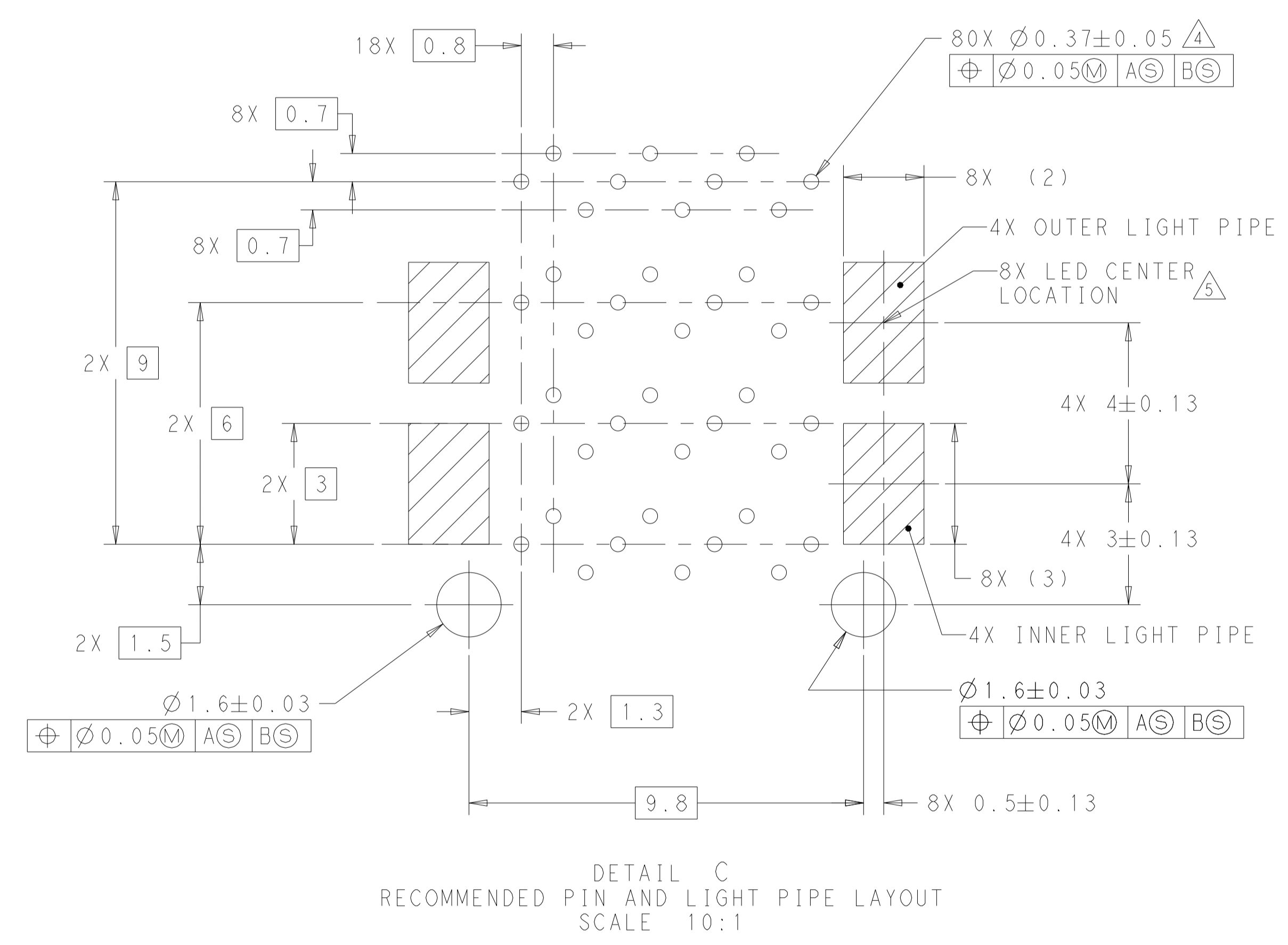
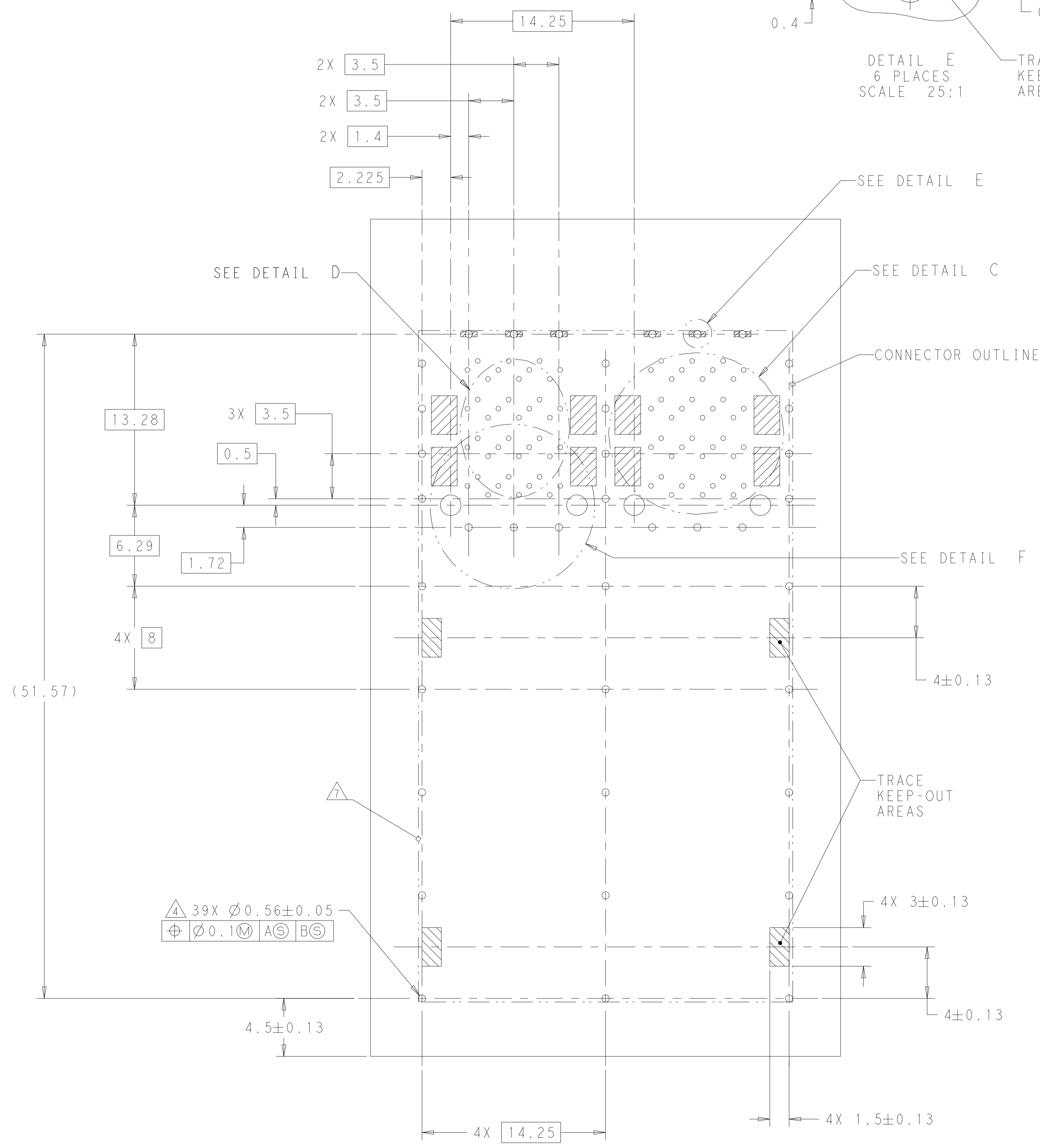
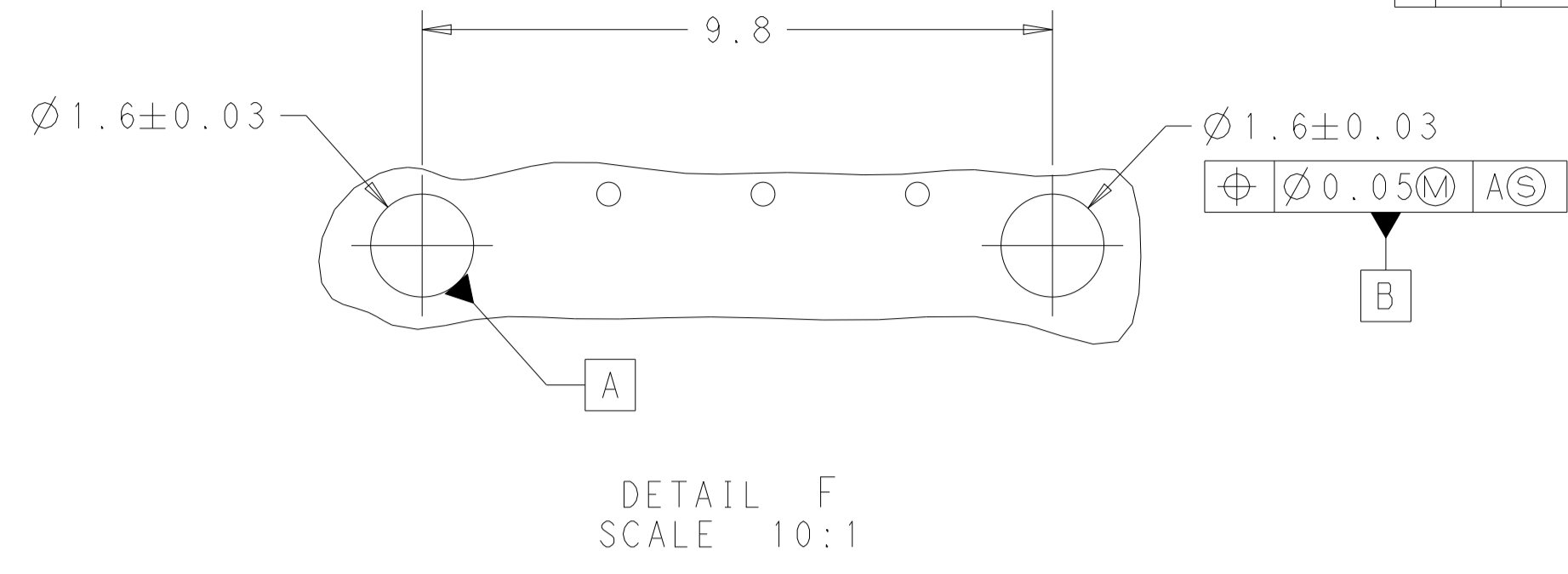
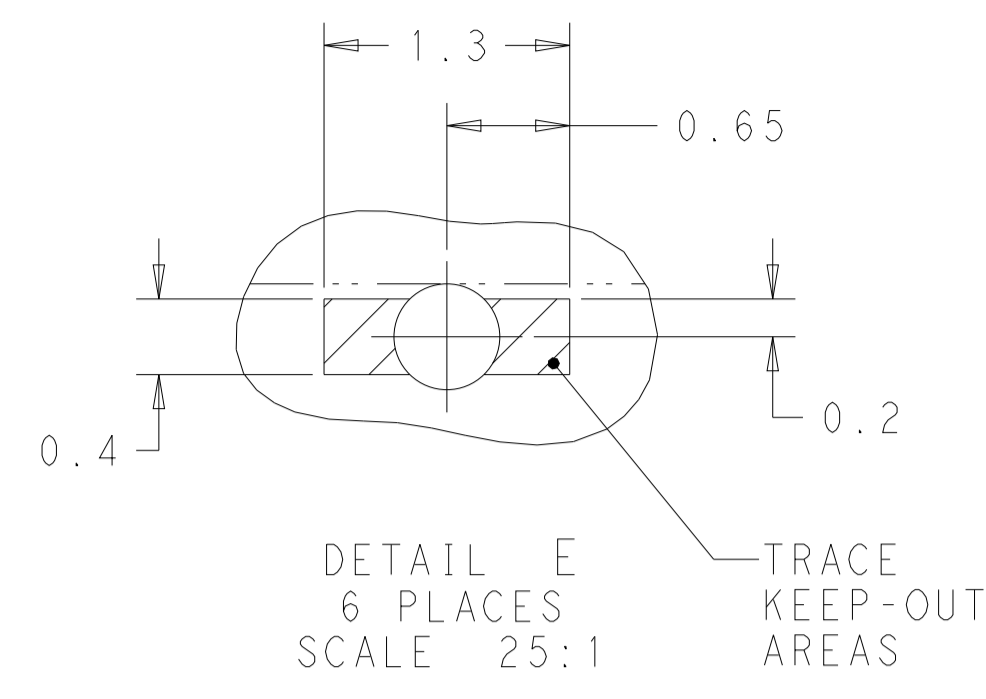


SCALE 4:1



| | | | |
|--|--|-------------------------------------|--|
| THIS DRAWING IS A CONTROLLED DOCUMENT. | | DMN M. E. CONNER 06OCT2011 | TE Connectivity NAME RECEPTACLE ASSEMBLY, 2X2, STACKED, zSFP+ |
| DIMENSIONS: | | CHK M. D. MORRISON 06OCT2011 | |
| mm | TOLERANCES UNLESS OTHERWISE SPECIFIED: | APVD M. D. MORRISON 07OCT2011 | PRODUCT SPEC |
| | 0 PLC ± | 108-2481 | APPLICATION SPEC |
| | 1 PLC ± | 114-13319 | WEIGHT |
| | 2 PLC ± | | Customer Drawing |
| | 3 PLC ± | | SCALE 4:1 SHEET 4 OF 6 |
| | 4 PLC ± | | REV C1 |
| | ANGLES ± | | |
| | FINISH | | |
| MATERIAL SEE NOTES | SEE NOTES | SIZE A100779 | DRAWING NO. C=2198325 |

| LOC | | DIST | | REVISIONS | | | |
|-----|----|------|-----|-------------|------|-----|------|
| GP | 00 | P | LTN | DESCRIPTION | DATE | DMN | APVD |
| | | - | | SEE SHEET 1 | | | |



| | | | |
|--|-------------------|-------------------------------|--|
| THIS DRAWING IS A CONTROLLED DOCUMENT. | | DMN: M.E. CONNER 06OCT2011 | TE Connectivity |
| DIMENSIONS: mm | | CHK: M.D. MORRISON 06OCT2011 | |
| TOLERANCES UNLESS OTHERWISE SPECIFIED: | | APVD: M.D. MORRISON 07OCT2011 | NAME: RECEPTACLE ASSEMBLY, 2X2, STACKED, zSFP+ |
| 0 PLC ± | 1 PLC ± | PRODUCT SPEC 108-2481 | SIZE: CAGE CODE DRAWING NO. RESTRICTED TO |
| 2 PLC ± | 3 PLC ± | APPLICATION SPEC 114-13319 | A100779C=2198325 |
| 4 PLC ± | ANGLES ± | WEIGHT | SCALE 4:1 SHEET 5 OF 6 REV C1 |
| MATERIAL: SEE NOTES | FINISH: SEE NOTES | Customer Drawing | |

| LOC | DIST | REVISIONS | | | | | |
|-----|------|-----------|-----|-------------|------|-----|------|
| GP | 00 | P | LTN | DESCRIPTION | DATE | OWN | APVD |
| | | - | | SEE SHEET 1 | - | - | - |
| | | | | | | | |
| | | | | | | | |

T19 ○ T16 ○ T13 ○
 T20 ○ T17 ○ T14 ○ T11 ○
 T18 ○ T15 ○ T12 ○

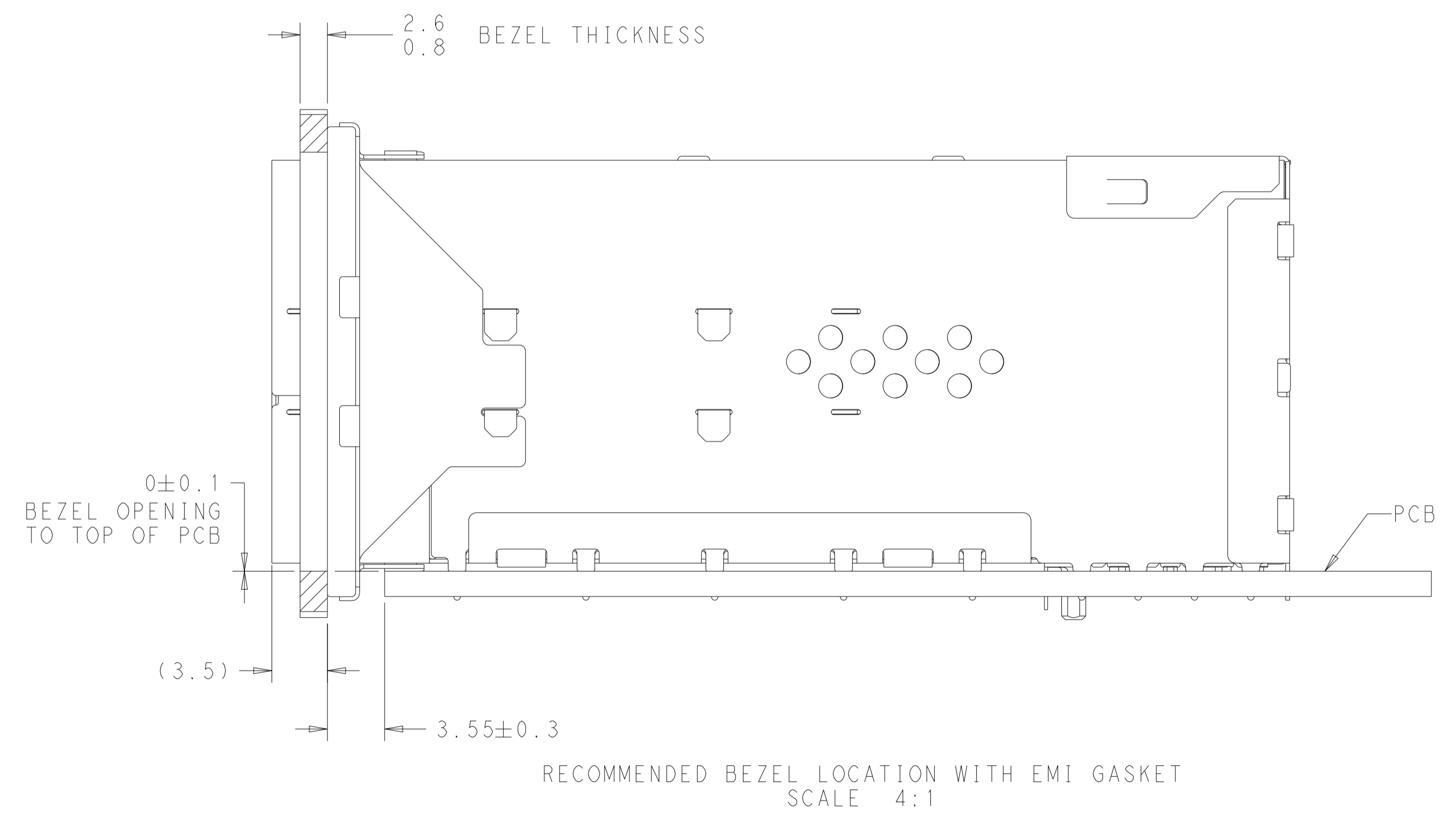
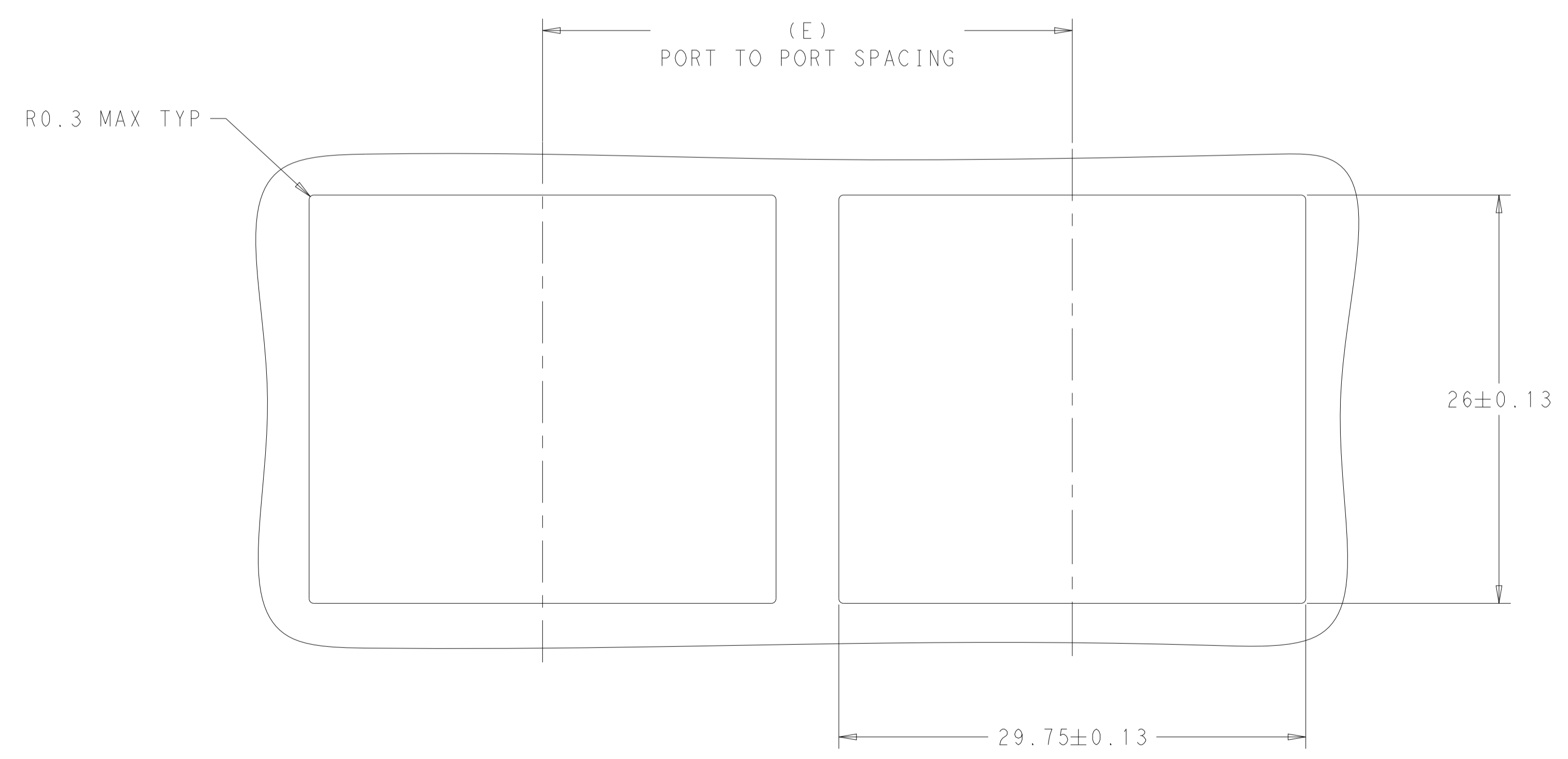
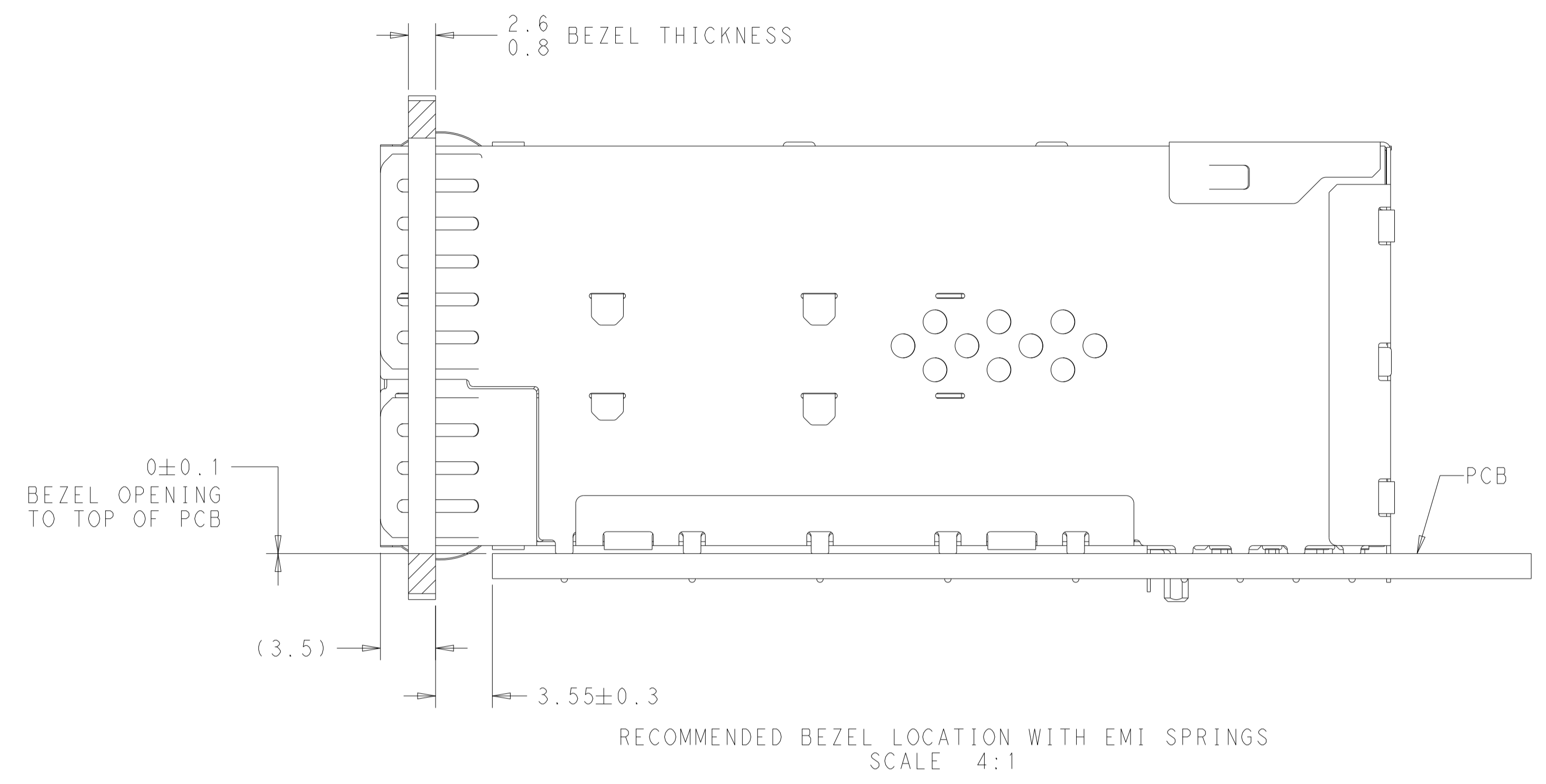
T2 ○ T5 ○ T8 ○
 T1 ○ T4 ○ T7 ○ T10 ○
 T3 ○ T6 ○ T9 ○

L9 ○ L6 ○ L3 ○
 L10 ○ L7 ○ L4 ○ L1 ○
 L8 ○ L5 ○ L2 ○

L12 ○ L15 ○ L18 ○
 L11 ○ L14 ○ L17 ○ L20 ○
 L13 ○ L16 ○ L19 ○

| PIN MAP LEGEND | |
|----------------|------------|
| PIN NUMBER | FUNCTION |
| L1/T1 | VEET |
| L2/T2 | TX-FAULT |
| L3/T3 | TX-DISABLE |
| L4/T4 | SDA |
| L5/T5 | SCL |
| L6/T6 | MOD_ABS |
| L7/T7 | RSO |
| L8/T8 | RX_LOS |
| L9/T9 | RS1 |
| L10/T10 | VEER |
| L11/T11 | VEER |
| L12/T12 | RD- |
| L13/T13 | RD+ |
| L14/T14 | VEER |
| L15/T15 | VCCR |
| L16/T16 | VCCT |
| L17/T17 | VEET |
| L18/T18 | TD+ |
| L19/T19 | TD- |
| L20/T20 | VEET |

DETAIL D
 PIN MAP
 2 PLACES
 SCALE 15:1



| | | | |
|--|----------|-------------------------------|--|
| THIS DRAWING IS A CONTROLLED DOCUMENT. | | OWN: M.E. CONNER 06OCT2011 | TE Connectivity |
| DIMENSIONS: mm | | CHK: M.D. MORRISON 06OCT2011 | |
| TOLERANCES UNLESS OTHERWISE SPECIFIED: | | APVD: M.D. MORRISON 07OCT2011 | NAME: RECEPTACLE ASSEMBLY, 2X2, STACKED, zSFP+ |
| 0 PLC ± | 1 PLC ± | PRODUCT SPEC | SIZE: 108-2481 |
| 2 PLC ± | 3 PLC ± | APPLICATION SPEC | RESTRICTED TO |
| 4 PLC ± | ANGLES ± | FINISH ± | Customer Drawing |
| MATERIAL: SEE NOTES | | WEIGHT: 114-13319 | SCALE: 4:1 |
| FINISH: SEE NOTES | | Customer Drawing | SHEET 6 OF 6 |
| | | Customer Drawing | REV C1 |

X-ON Electronics

Largest Supplier of Electrical and Electronic Components

Click to view similar products for [I/O Connectors](#) category:

Click to view products by [TE Connectivity](#) manufacturer:

Other Similar products are found below :

[571763P](#) [58098-0628](#) [72.250.1628.2](#) [72.250.2428.2](#) [74720-0505](#) [76.350.0729.0](#) [76871-1403](#) [FCN-244F080-G/1](#) [FCN-260A9920](#) [PCR-E36PM](#) [PCS-XE26MA+](#) [G38A71314B](#) [DX40-50P\(55\)](#) [1571250010](#) [157-22500-3](#) [MS3471L14-19P L/C](#) [91-569786-35H](#) [172501-4002](#) [172501-6002](#) [FCN-260C008-A/L0](#) [FCN-260C024-AL0](#) [FCN-261Z008](#) [2000314-1](#) [200331-1](#) [PCR-E36FC+](#) [PCS-E28FS+](#) [PCS-XE26SLFD+](#) [PCS-XE26SLFDT+](#) [G730VID08BDC24](#) [U90B2054081210](#) [UE86K842720321](#) [38113800006](#) [DP3AR020WQ1R200](#) [Z4.102.0680.0](#) [500-1040](#) [500-1052](#) [500-1054](#) [ZP-4008-66L](#) [0709821002](#) [10-565995-597N](#) [DX40-20P\(55\)](#) [5554841-1](#) [MS3474W18-8P-LC*](#) [U90B3054061110](#) [U65-E04-4020](#) [ZPF000000000097891](#) [557-262M2-06C](#) [747360449](#) [10099439-003C-TRLF](#) [10137239-0021LF](#)