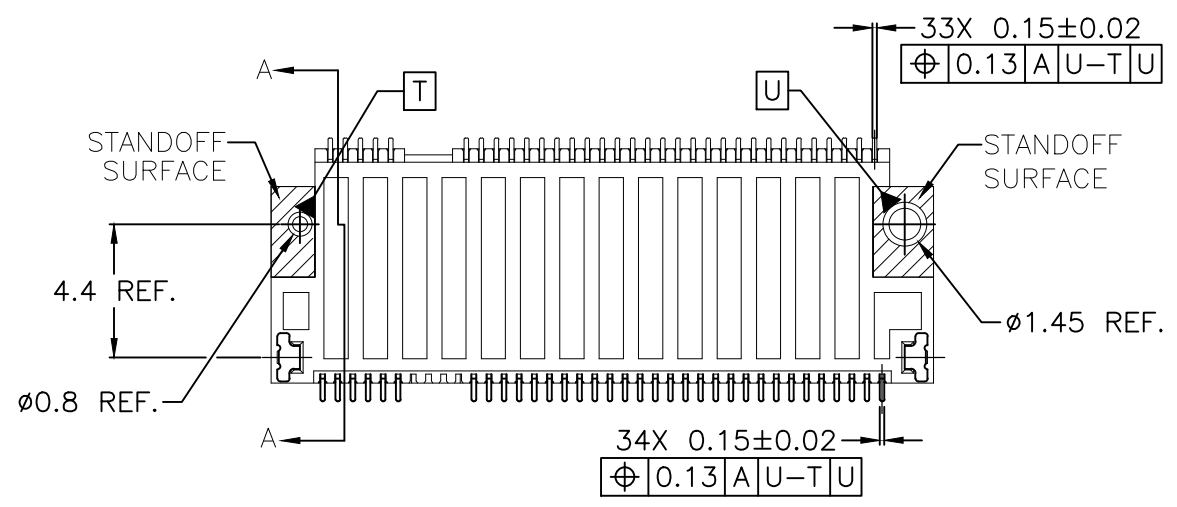
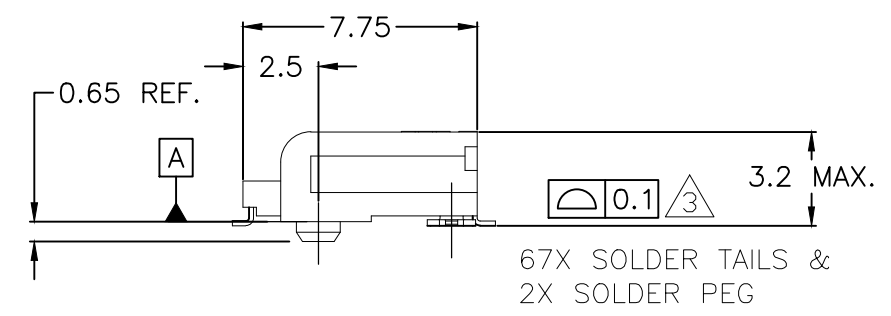
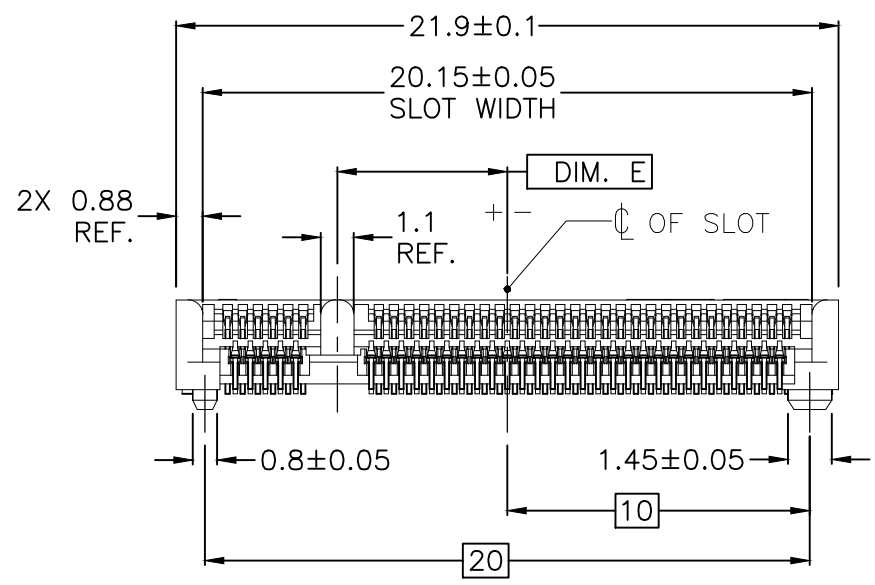
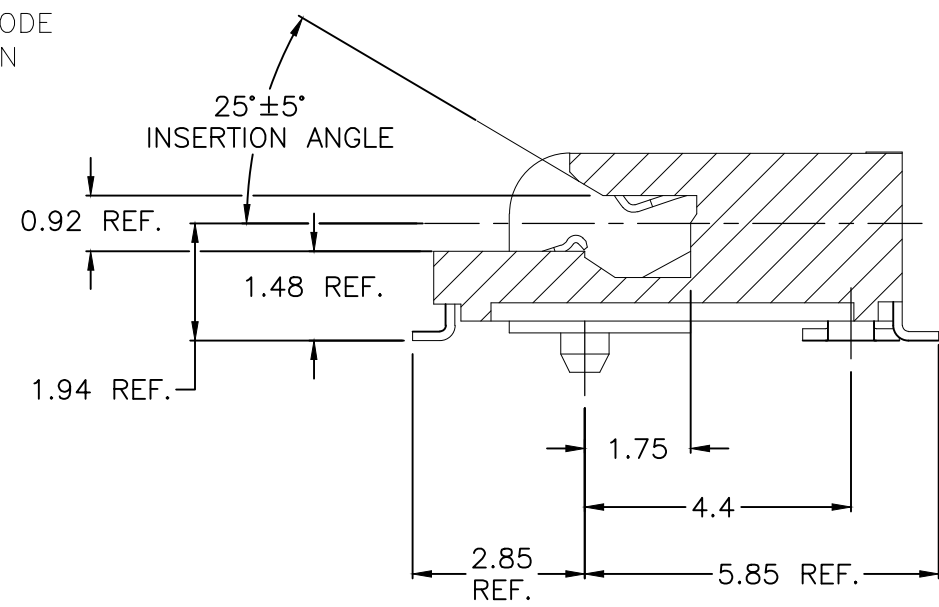
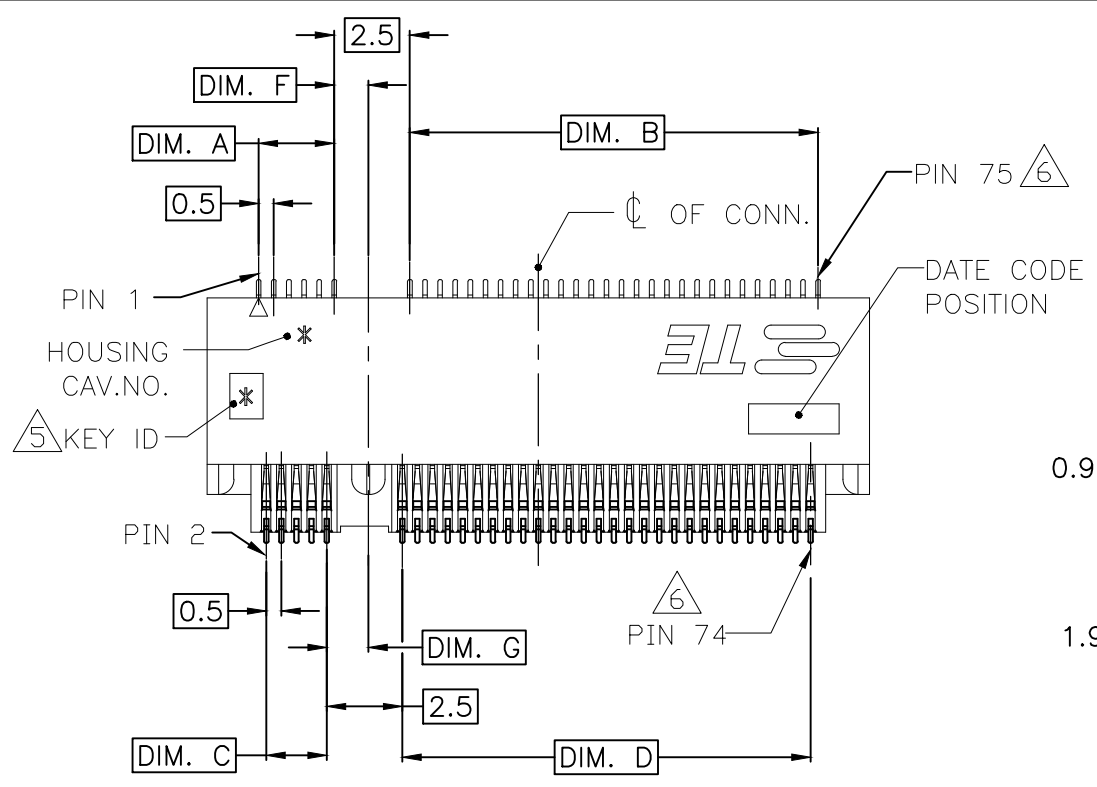


THIS DRAWING IS UNPUBLISHED. RELEASED FOR PUBLICATION
 © COPYRIGHT - By - ALL RIGHTS RESERVED.

| REVISIONS | | | | |
|-----------|-----|---------------|-----------|-------|
| P | LTR | DESCRIPTION | DATE | APVD |
| | F | ECR-19-011878 | 19MAR2020 | EZ WH |



- NOTES:
- MATERIAL:
 - HOUSING : HIGH TEMPERATURE THERMOPLASTIC UL94V-0, COLOR: BLACK.
 - CONTACT: COPPER ALLOY.
 - SOLDER PEG: STAINLESS STEEL.
 - FINISH:
 - CONTACT: UNDERCOAT NICKEL 50u" min. ALL OVER; MATING AREA: GOLD PLATING, THE THICKNESS SEE TABLE LIST; SOLDERABLE AREA: GOLDFLASH.
 - SOLDER PEG: UNDERCOAT: NICKEL 50u" min. ALL OVER SOLDERABLE AREA: MATTE TIN 100u" min.
 - COPLANARITY: 0.10mm MAX.(BEFORE SOLDERING).
 - ACCEPTED MODULE BASED ON INDUSTRY STD.
 - KEY ID, "*" IS A CAPITAL LETTER PER THE PART NO.
 - THE PIN NO. DEFINITIONS ARE ACCORDING TO PCB FOOTPRINT, THE ACTUAL PIN QUANTITY IS ONLY 67 POS. FOR KEY TAKING OUT 8 POS.
 - THE PRODUCT IS RoHS COMPLIANT, BR 900PPM MAX., CL 900PPM MAX. BR+CL 1500 PPM MAX.
 - MINUS MEANS \varnothing OF KEY IS ON THE RIGHT SIDE OF CONN. \varnothing IN PAGE 1.

| | | | | |
|---|--|--------------------------|----------------------------------|----------------------|
| THIS DRAWING IS A CONTROLLED DOCUMENT. | | DWN SIMON WU 90CT2012 | TE Connectivity | |
| DIMENSIONS: mm | | CHK SIMON LI 90CT2012 | | |
| TOLERANCES UNLESS OTHERWISE SPECIFIED: | | APVD COREL WANG 90CT2012 | NAME | |
| 0 PLC ± 0.30 1 PLC ± 0.30 2 PLC ± 0.20 3 PLC ± 0.10 4 PLC ANGLES ± - ± 3° | | PRODUCT SPEC | M.2(NGFF)MINI CARD MOUNTING TYPE | |
| MATERIAL - | | APPLICATION SPEC | 0.50mm PITCH 67 POS 3.2mm H | |
| FINISH - | | 114-115006 | DOUBLE SIDED MODULE | |
| | | WEIGHT 0.51 G | SIZE A3 | RESTRICTED TO - |
| | | CUSTOMER DRAWING | CAGE CODE 00779 | DRAWING NO C-2199119 |
| | | SCALE 4:1 | SHEET 1 OF 5 | REV F |

THIS DRAWING IS UNPUBLISHED.

RELEASED FOR PUBLICATION

- . - .

REVISIONS


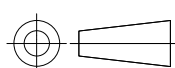
ALL RIGHTS RESERVED.

© COPYRIGHT - By -

| P | LTR | DESCRIPTION | DATE | DWN | APVD |
|---|-----|-------------|------|-----|------|
| - | - | SEE SHEET 1 | - | - | - |

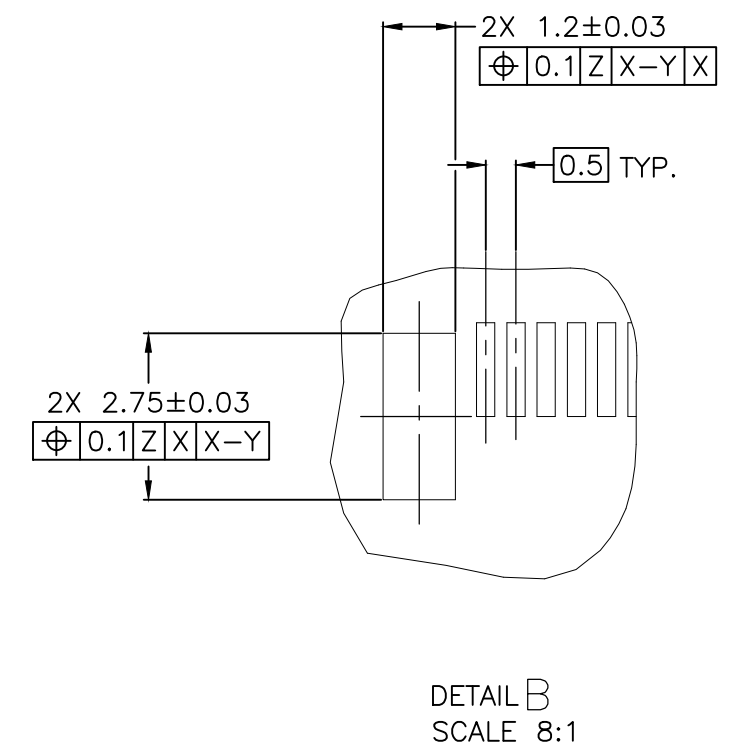
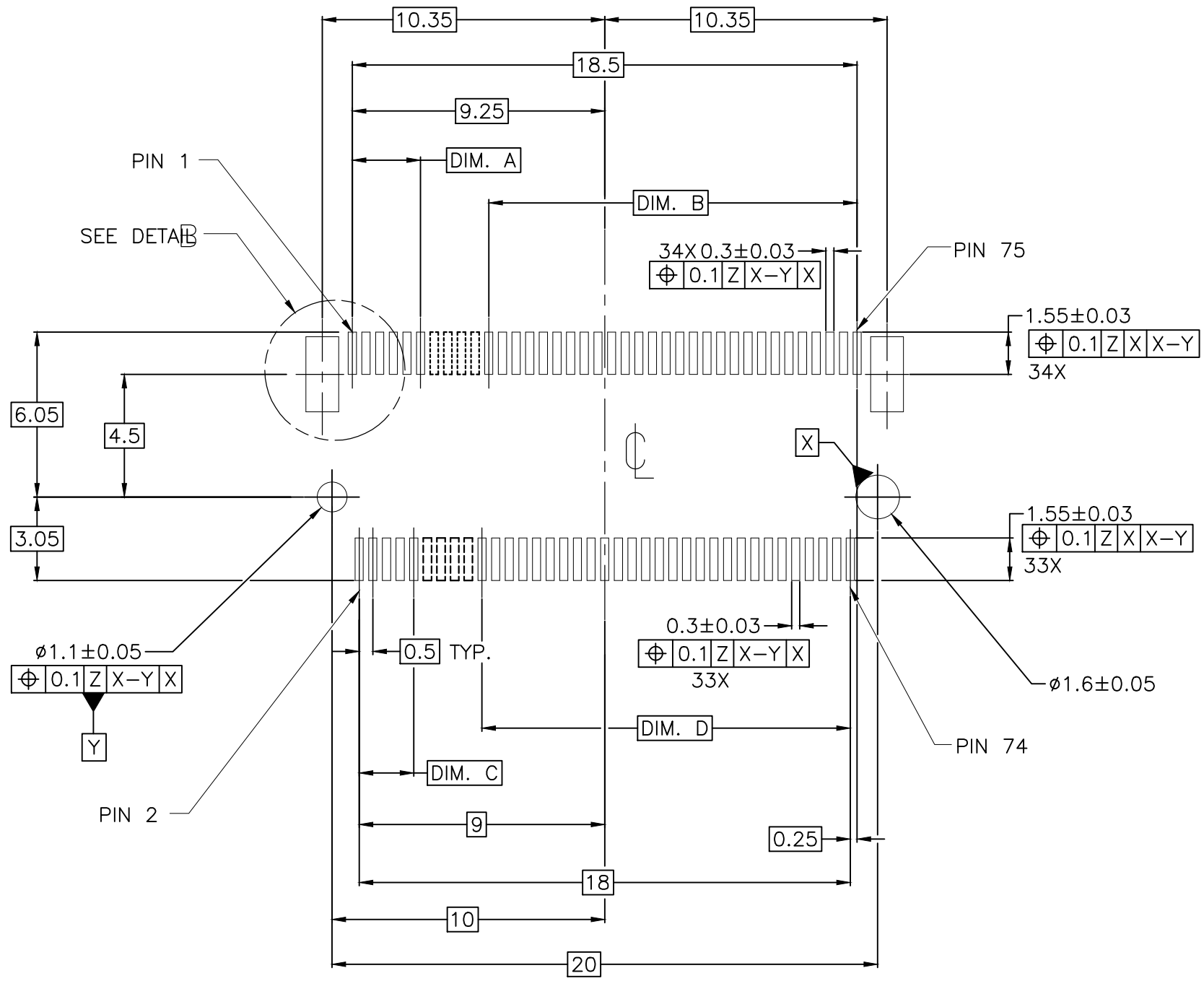


| KEY ID. | PRODUCT SPEC. | GOLD SPEC. | DIM. G | DIM. F | DIM. E | DIM. D | DIM. C | DIM. B | DIM. A | PART NO. |
|---------|---------------|------------|--------|--------|--------|--------|--------|--------|--------|-------------|
| M | 108-115042 | 30u" MIN. | 1.125 | 1.375 | -6.125 | 1.5 | 14.0 | 2.0 | 14.0 | 1-2199119-6 |
| | | 15u" MIN. | | | | | | | | 1-2199119-5 |
| | | 10u" MIN. | | | | | | | | 1-2199119-4 |
| | 108-115049 | GOLD FLASH | | | | | | | | 1-2199119-3 |
| A | 108-115042 | 10u" MIN. | 1.375 | 1.125 | 6.625 | 14.5 | 1.0 | 14.5 | 1.5 | 1-2199119-2 |
| E | | | | | 2.625 | 10.5 | 5.0 | 10.5 | 5.5 | 1-2199119-1 |
| B | | | | | 5.625 | 13.5 | 2.0 | 13.5 | 2.5 | 1-2199119-0 |
| A | 108-115042 | 30u" MIN. | 1.375 | 1.125 | 6.625 | 14.5 | 1.0 | 14.5 | 1.5 | 2199119-9 |
| | | 15u" MIN. | | | | | | | | 2199119-8 |
| | 108-115049 | GOLD FLASH | | | | | | | | 2199119-7 |
| E | 108-115042 | 30u" MIN. | 1.375 | 1.125 | 2.625 | 10.5 | 5.0 | 10.5 | 5.5 | 2199119-6 |
| B | | | | | 5.625 | 13.5 | 2.0 | 13.5 | 2.5 | 2199119-5 |
| E | | | | | 2.625 | 10.5 | 5.0 | 10.5 | 5.5 | 2199119-4 |
| B | 108-115042 | 15u" MIN. | 1.375 | 1.125 | 5.625 | 13.5 | 2.0 | 13.5 | 2.5 | 2199119-3 |
| E | | | | | 2.625 | 10.5 | 5.0 | 10.5 | 5.5 | 2199119-2 |
| B | 108-115049 | GOLD FLASH | | | 5.625 | 13.5 | 2.0 | 13.5 | 2.5 | 3-2199119-1 |
| | | | | | | | | | | 2199119-1 |

| | | | | | |
|--|--|--------------------------------|--|-----------|------------|
| THIS DRAWING IS A CONTROLLED DOCUMENT. | | DWN SIMON WU 90CT2012 |  TE Connectivity | | |
| | | CHK SIMON LI 90CT2012 | | | |
| DIMENSIONS: mm  | | APVD COREL WANG 90CT2012 | NAME M.2(NGFF)MINI CARD MOUNTING TYPE 0.50mm PITCH 67 POS 3.2mm H DOUBLE SIDED MODULE | | |
| TOLERANCES UNLESS OTHERWISE SPECIFIED: 0 PLC ± 0.30 1 PLC ± 0.30 2 PLC ± 0.20 3 PLC ± 0.10 4 PLC ± - ANGLES ± 3° | | PRODUCT SPEC | RESTRICTED TO | | |
| MATERIAL | | APPLICATION SPEC | SIZE | CAGE CODE | DRAWING NO |
| FINISH | | WEIGHT | A3 | 00779 | C-2199119 |
| | | CUSTOMER DRAWING | SCALE | SHEET | REV |
| | | | 4:1 | 2 of 5 | F |


THIS DRAWING IS UNPUBLISHED. RELEASED FOR PUBLICATION
 © COPYRIGHT - By - ALL RIGHTS RESERVED.

| REVISIONS | | | | |
|-----------|-----|-------------|------|------|
| P | LTR | DESCRIPTION | DATE | APVD |
| - | - | SEE SHEET 1 | - | - |



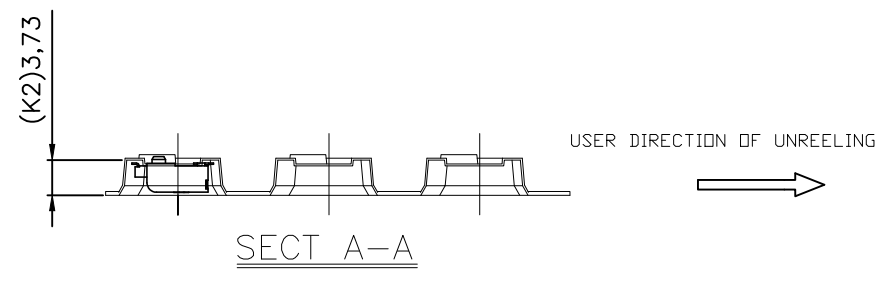
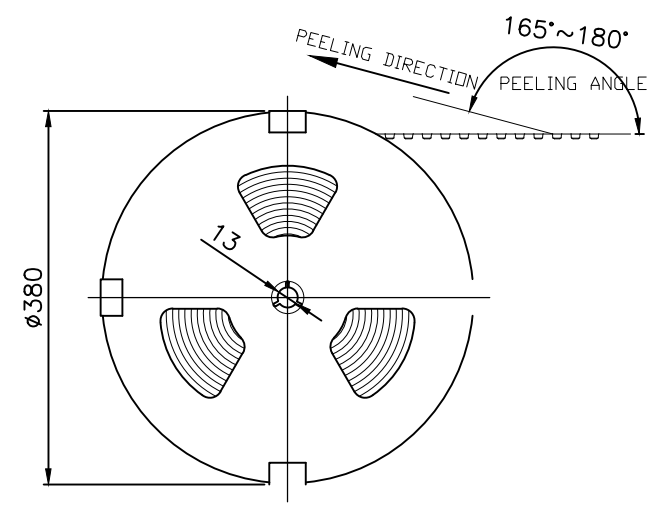
RECOMMENDED NGFF MINI CARD MOUNTING TYPE_SMT_PCB OUTLINE
 DATUM Z: PCB SOLDER SURFACE

| | | | | |
|---------|--------|--------|--------|--------|
| M | 1.5 | 14.0 | 2.0 | 14.0 |
| E | 10.5 | 5.0 | 10.5 | 5.5 |
| B | 13.5 | 2.0 | 13.5 | 2.5 |
| A | 14.5 | 1.0 | 14.5 | 1.5 |
| KEY ID. | DIM. D | DIM. C | DIM. B | DIM. A |

| | | | | |
|--|--|--------------------------------|---|-------------------------|
| THIS DRAWING IS A CONTROLLED DOCUMENT. | | DWN SIMON WU 90CT2012 |  TE Connectivity | |
| DIMENSIONS: mm | | CHK SIMON LI 90CT2012 | | |
| TOLERANCES UNLESS OTHERWISE SPECIFIED: | | APVD COREL WANG 90CT2012 | NAME M.2(NGFF)MINI CARD MOUNTING TYPE 0.50mm PITCH 67 POS 3.2mm H DOUBLE SIDED MODULE | |
| 0 PLC ± 0.30 1 PLC ± 0.30 2 PLC ± 0.20 3 PLC ± 0.10 4 PLC ± - ANGLES ± 3° | | PRODUCT SPEC | SIZE A3 | |
| MATERIAL | | APPLICATION SPEC | CAGE CODE 00779 | DRAWING NO C-2199119 |
| FINISH | | WEIGHT | RESTRICTED TO | |
| | | CUSTOMER DRAWING | SCALE 5:1 | SHEET 3 OF 5 |
| | | | REV F | |

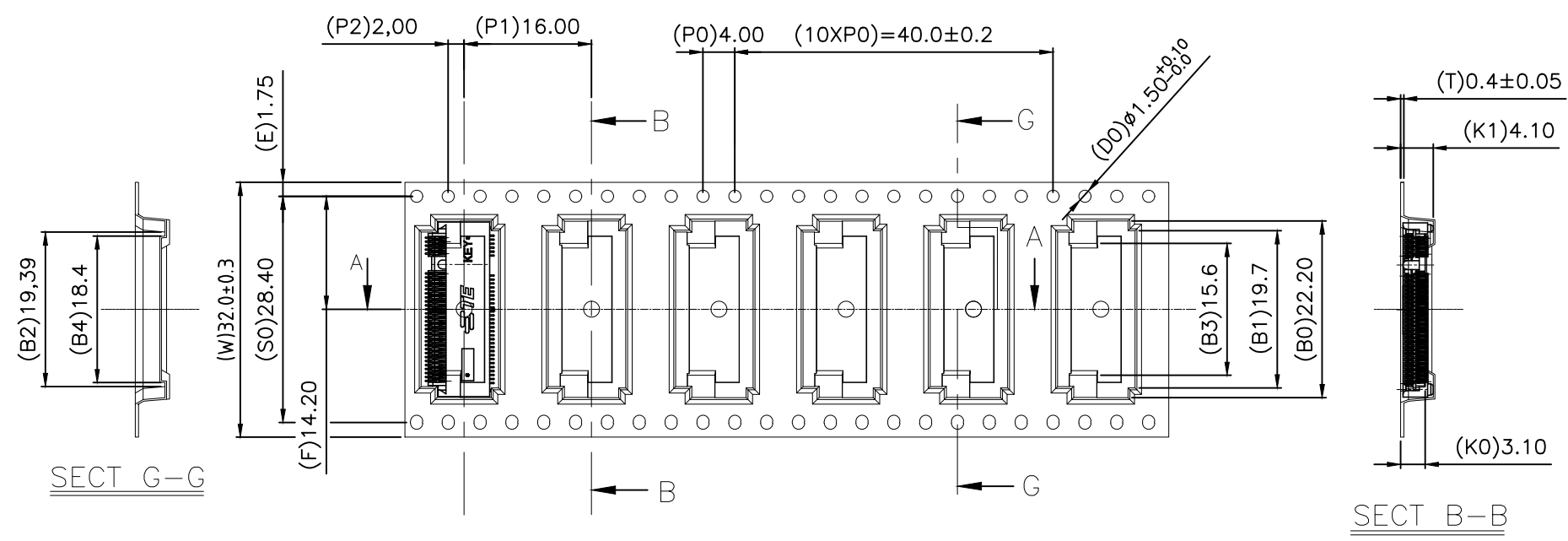
THIS DRAWING IS UNPUBLISHED. RELEASED FOR PUBLICATION
 © COPYRIGHT - By - ALL RIGHTS RESERVED.

| REVISIONS | | | | | |
|-----------|-----|-------------|------|-----|------|
| P | LTR | DESCRIPTION | DATE | DWN | APVD |
| - | - | SEE SHEET 1 | - | - | - |



NOTES: (APPLIED TO CURRENT SHEET)

1. THE DIRECTION OF EACH CONNECTOR ON A EMBOSS IS REFERRED TO THIS DRAWING.
2. GENERAL TOLERANCE: ± 0.5 , $\pm 3^\circ$
3. PACKAGED IN EMBOSS TAPE AND PLASTIC RELL 1200PCS PER REEL.

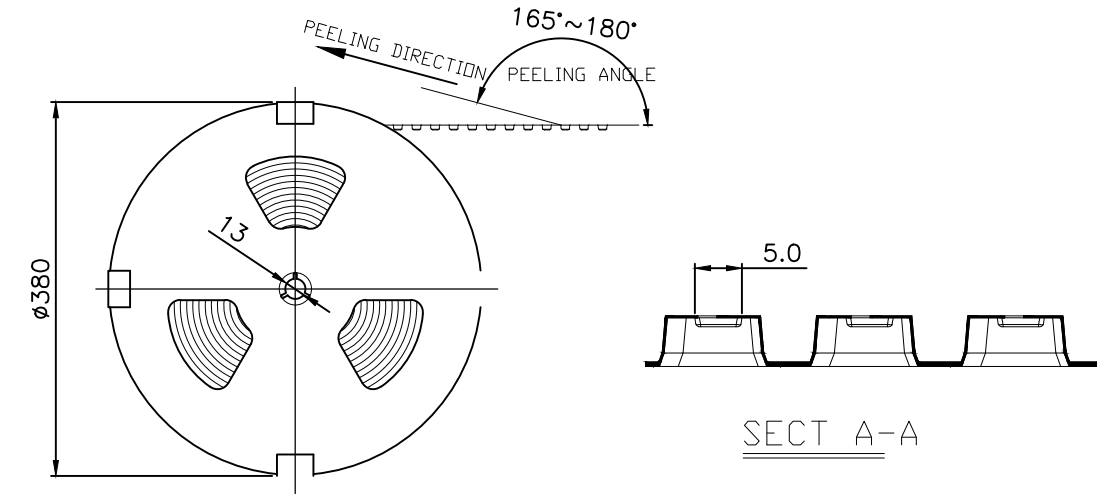


| | |
|---------|-------------|
| M | 1-2199119-6 |
| | 1-2199119-5 |
| | 1-2199119-4 |
| | 1-2199119-3 |
| A | 1-2199119-2 |
| E | 1-2199119-1 |
| B | 1-2199119-0 |
| A | 2199119-9 |
| | 2199119-8 |
| | 2199119-7 |
| E | 2199119-6 |
| B | 2199119-5 |
| E | 2199119-4 |
| B | 2199119-3 |
| E | 2199119-2 |
| B | 2199119-1 |
| KEY ID. | PART NO. |

| | | | | | |
|--|--|--------------------------|--|--|--|
| THIS DRAWING IS A CONTROLLED DOCUMENT. | | DWN SIMON WU 90CT2012 | TE Connectivity NAME M.2(NGFF)MINI CARD MOUNTING TYPE 0.50mm PITCH 67 POS 3.2mm H DOUBLE SIDED MODULE SIZE A3 CAGE CODE 00779 DRAWING NO C-2199119 RESTRICTED TO - SCALE N/A SHEET 4 of 5 REV F | | |
| DIMENSIONS: mm | | CHK SIMON LI 90CT2012 | | | |
| | | APVD COREL WANG 90CT2012 | | | |
| TOLERANCES UNLESS OTHERWISE SPECIFIED: | | PRODUCT SPEC | | | |
| MATERIAL - | | FINISH - | APPLICATION SPEC | | |
| WEIGHT - | | CUSTOMER DRAWING | WEIGHT - | | |

THIS DRAWING IS UNPUBLISHED. RELEASED FOR PUBLICATION
 © COPYRIGHT - By - ALL RIGHTS RESERVED.

| REVISIONS | | | | | |
|-----------|-----|-------------|------|-----|------|
| P | LTR | DESCRIPTION | DATE | DWN | APVD |
| - | - | SEE SHEET 1 | - | - | - |

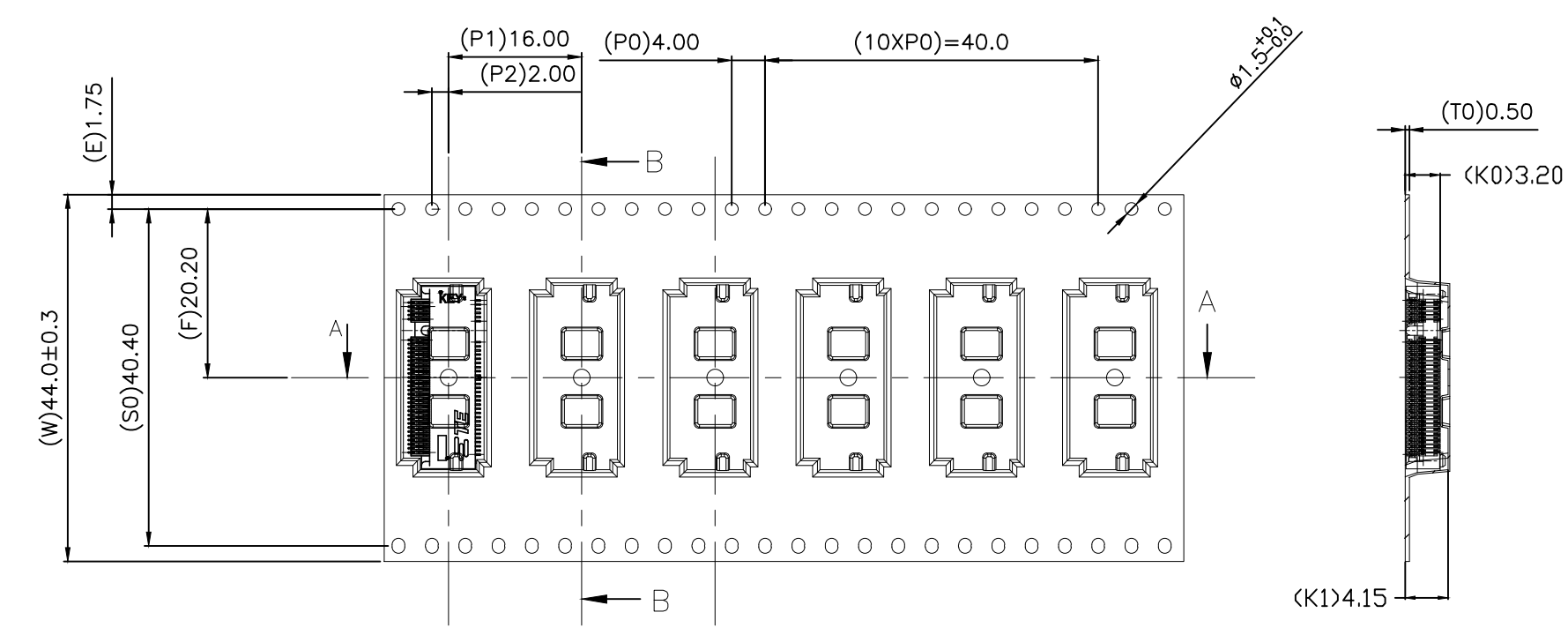


NOTES: (APPLIED TO CURRENT SHEET)

1. THE DIRECTION OF EACH CONNECTOR ON A EMBOSS IS REFERRED TO THIS DRAWING.
2. GENERAL TOLERANCE: ± 0.5 , $\pm 3^\circ$
3. PACKAGED IN EMBOSS TAPE AND PLASTIC RELL 1200PCS PER REEL.

USER DIRECTION OF UNREELING

SECT A-A



USER DIRECTION OF UNREELING

SECT B-B
N.I.S

| | |
|---------|-------------|
| B | 3-2199119-1 |
| KEY ID. | PART NO. |

| | | | | | | | |
|---|--|--------------------------------|---|------|-----------|------------|---------------|
| THIS DRAWING IS A CONTROLLED DOCUMENT. | | DWN SIMON WU 90CT2012 | TE Connectivity NAME M.2(NGFF)MINI CARD MOUNTING TYPE 0.50mm PITCH 67 POS 3.2mm H DOUBLE SIDED MODULE | | | | |
| DIMENSIONS: mm | | CHK SIMON LI 90CT2012 | | | | | |
| TOLERANCES UNLESS OTHERWISE SPECIFIED: | | APVD COREL WANG 90CT2012 | | | | | |
| 0 PLC ± 0.30 1 PLC ± 0.30 2 PLC ± 0.20 3 PLC ± 0.10 4 PLC $\pm -$ ANGLES $\pm 3^\circ$ | | PRODUCT SPEC | | | | | |
| MATERIAL | | FINISH | APPLICATION SPEC | SIZE | CAGE CODE | DRAWING NO | RESTRICTED TO |
| - | | - | WEIGHT | A3 | 00779 | C-2199119 | - |
| CUSTOMER DRAWING | | | SCALE | N/A | SHEET | 5 OF 5 | REV |
| | | | | | | | F |

X-ON Electronics

Largest Supplier of Electrical and Electronic Components

Click to view similar products for [PCI Express/PCI Connectors](#) category:

Click to view products by [TE Connectivity](#) manufacturer:

Other Similar products are found below :

[UEX220-6U](#) [10039755-10110TLF](#) [1-1871239-2](#) [2170560-2](#) [10125756-980000LF](#) [EB220-3U](#) [10061913-120PLF](#) [GPCP146400111HR](#)
[205058-1001](#) [GPCP442628110HR](#) [GPCP446200120HR](#) [GPCP245400111HR](#) [10082378-10000TLF](#) [87715-9256](#) [MDT580M03001](#)
[0877159107](#) [MDT580M01001](#) [10018783-11000MLF](#) [10018783-11101TLF](#) [10108777-10000ALF](#) [10141523-111T0LF](#) [10145445-10003MLF](#)
[PSASF2130311TR](#) [PSASF3130411TR](#) [PSASF3130131TR](#) [7-1734774-7](#) [3-1761465-1](#) [10018784-10111TLF](#) [10039755-10111TLF](#) [10039755-](#)
[10112TLF](#) [10018783-10211TLF](#) [10018784-10211TLF](#) [10018784-10212TLF](#) [1761465-2](#) [1871058-1](#) [5-1761465-4](#) [10018783-10200MLF](#)
[10018783-10213TLF](#) [10018784-10210TLF](#) [10018784-11113TLF](#) [10025026-10001TLF](#) [5145154-8](#) [1871058-4](#) [2041119-2](#) [10018783-](#)
[10212TLF](#) [10018784-10102TLF](#) [10018783-11200TLF](#) [SM3ZS067U215-NUT1-R2500](#) [10123371-001TRLF](#) [10018784-10110TLF](#)