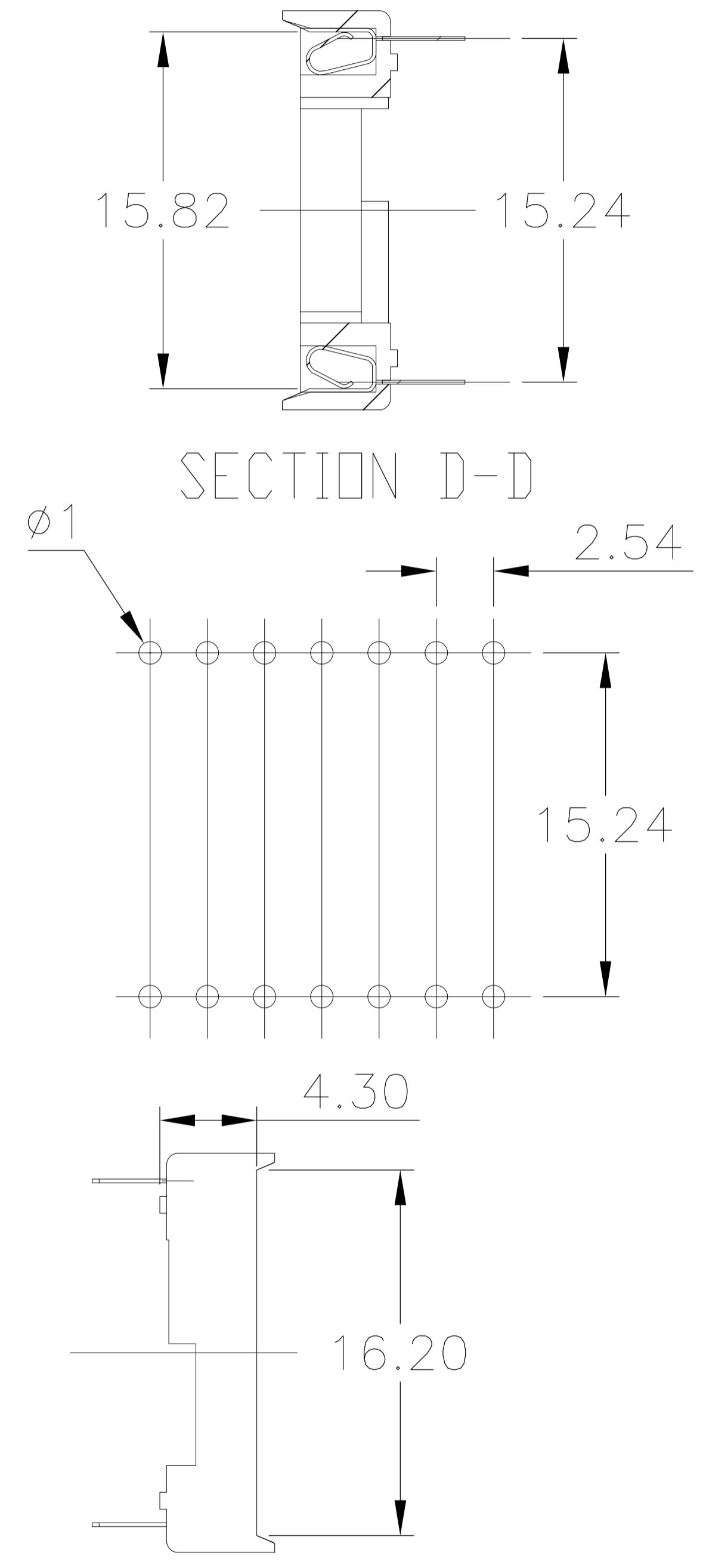
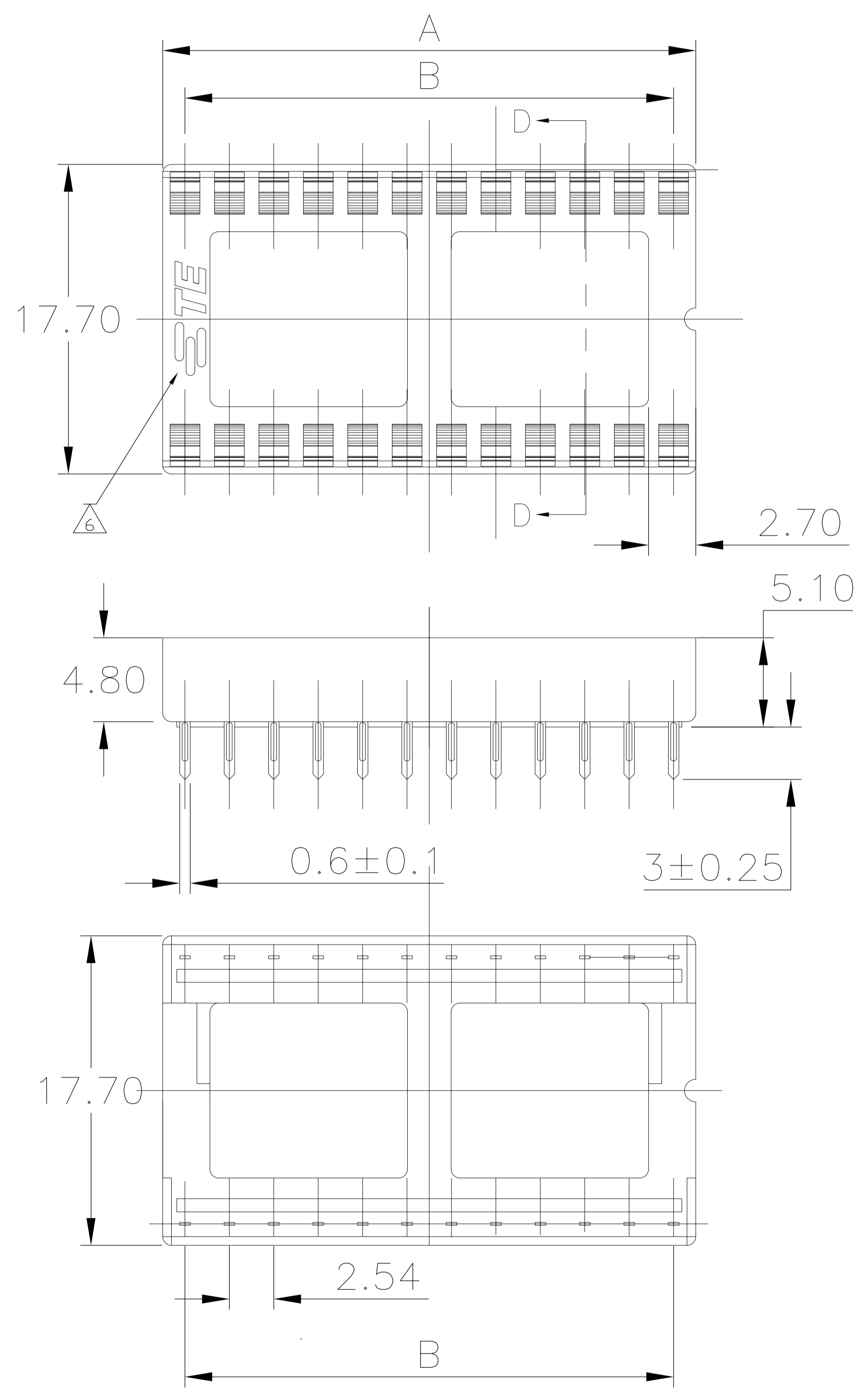


LOC		DIST		REVISIONS			
AD	00	REV	DATE	BY	CHK	APPD	
A	RELEASED		18NOV2013	W.W	C.W		



- NOTE:
- MATERIAL:
HOUSING: 30% GLASS FILLED PBT, THERMOPLASTIC, BLACK.
CONTACT: PHOS BRONZE
 - FINISH: CONTACT PLATING TIN (LEAD FREE); 60 UIN MIN. OVER 30 UIN NI
SOLDERABILITY :95% COVERAGE MIN.;
WORKING CONDITION:230°±5°C;
 - MECHANICAL SPECS:
DURABILITY: 50 CYCLES MIN.
INSERTION FORCE:300 GRAMS MAX.
WITHDRAWAL FORCE: 20 GRAMS MIN.
CONTACT RETENTION: 500 GRAMS MIN.
ACCEPTS: 0.20-0.30 [.008-.012] LEADS
 - ELECTRICAL SPECS:
VOLTAGE RATING: 250V AC,DC
CONTACT RESISTANCE: 20 MILLOHMS MAX.
CURRENT RATING: 1 AMPERE AC,DC
INSULATION RESISTANCE: 1000 MEGOHMS MIN.
DIELECTRIC WITHSTANDING VOLTAGE: AC 1000 V MIN.
 - OPERATING TEMPERATURE: -40°C TO +105°C
 - TE LOGO

△2	40	50.80	48.26	1-2199299-5
△2	28	35.56	33.02	1-2199299-2
FINISH	POS	A±0.20	B±0.15	PART NO.

THIS DRAWING IS A CONTROLLED DOCUMENT.		WINN WANG 18NOV2013		TE Connectivity	
DIMENSIONS: mm		CHK SIMON LI 18NOV2013			
TOLERANCES UNLESS OTHERWISE SPECIFIED:		APVD COREL WANG 18NOV2013		NAME	
0 PLC ±		PRODUCT SPEC		DIP SOCKET, .600 CENTER LINE LADDER STYLE	
1 PLC ±		APPLICATION SPEC		SIZE	
2 PLC ± 0.2[.008]		WEIGHT		CAGE CODE	
3 PLC ±		A1		DRAWING NO	
4 PLC ±		CUSTOMER DRAWING		RESTRICTED TO	
ANGLES ±		SCALE 5:1		SHEET 1 OF 1	
MATERIAL △1		FINISH △2-7		REV A	

X-ON Electronics

Largest Supplier of Electrical and Electronic Components

Click to view similar products for [IC & Component Sockets](#) category:

Click to view products by [TE Connectivity](#) manufacturer:

Other Similar products are found below :

[0066-3-17-15-30-14-02-0](#) [670](#) [672](#) [673](#) [694-13-640-00-672-000](#) [712-93-120-41-001000](#) [714-93-104-31-018000](#) [8059-4G1-LF](#) [807-22-001-10-001101](#) [807-22-001-10-006101](#) [807-22-001-30-011101](#) [807-22-001-30-012101](#) [807-22-001-30-013101](#) [807-22-001-30-014101](#) [8-1437531-4](#) [8150-6P10](#) [833-93-034-10-001000](#) [851-41-006-10-001000](#) [851-43-008-20-001000](#) [851-43-014-20-001000](#) [851-93-006-20-001000](#) [851-93-010-20-001000](#) [853-43-020-10-001000](#) [86.010.0053.0](#) [116-43-308-41-007000](#) [PX-68LCC](#) [121-13-318-41-001000](#) [121-13-320-41-001000](#) [121-13-308-41-001000](#) [123-43-314-41-801000](#) [123-43-420-41-001000](#) [122-13-316-41-001000](#) [123-13-624-41-001000](#) [123-43-306-41-001000](#) [12-3513-11](#) [123-91-320-41-001000](#) [126-43-310-41-002000](#) [AKSUN 37V-T](#) [1437503-9](#) [1437504-1](#) [146-44-308-41-013000](#) [146-43-308-41-012000](#) [160-10-308-00-001000](#) [160-40-320-00-001000](#) [214-99-306-01-670800](#) [232-1270-02-0602](#) [2-382761-4](#) [2-5331677-4](#) [2-640360-3](#) [2801-2-00-50-00-00-07-0](#)