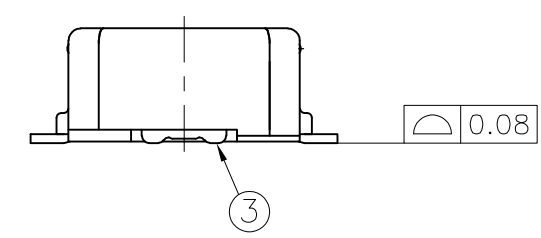
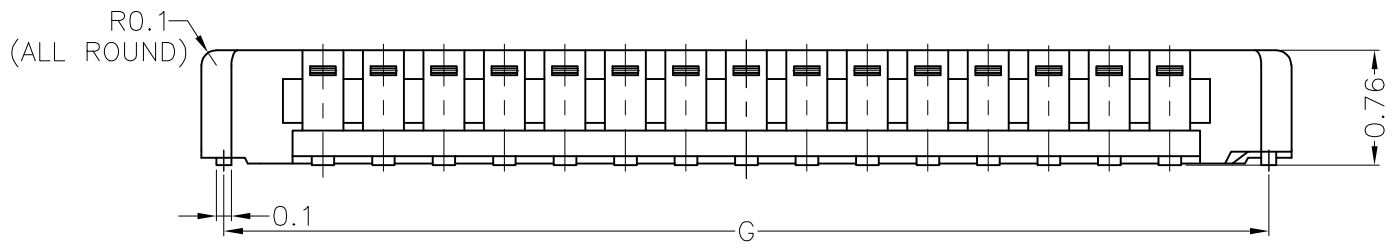
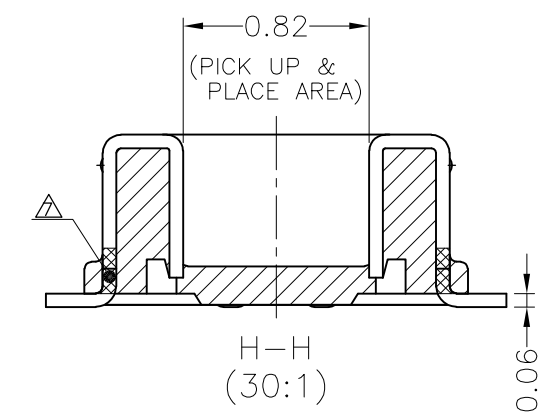
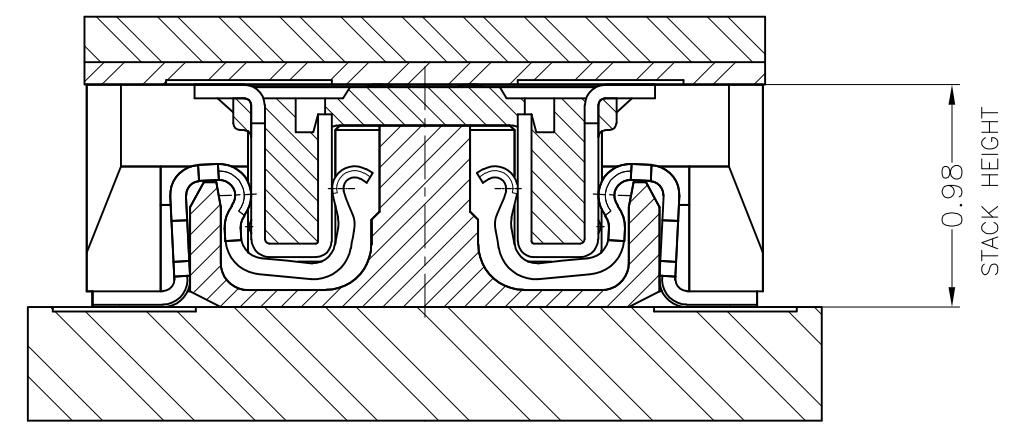
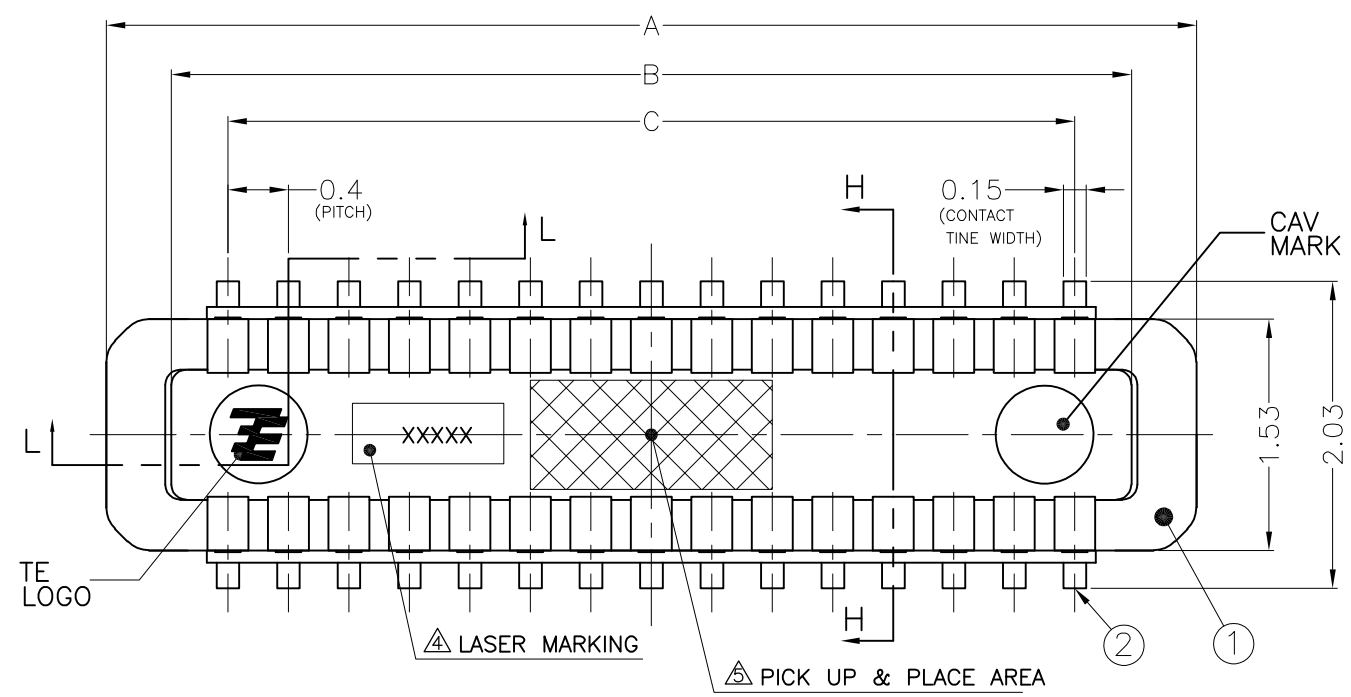


THIS DRAWING IS UNPUBLISHED. RELEASED FOR PUBLICATION  
 © COPYRIGHT - By Tyco Electronics Japan G.K. ALL RIGHTS RESERVED.

LOC	DIST	REVISIONS					
		P	LTR	DESCRIPTION	DATE	DWN	APVD
J	-	A		RELEASED	02AUG2012	C.H	T.K



Ni UNDER PL; 0.65um Sn PL.; 2~5um	COPPER ALLOY	PLUG PEG	3
Ni UNDER PL; 0.65um Au PL.(CONTACT AREA); 0.1um MIN. Au PL.(TINE AREA); 0.05um MIN.	COPPER ALLOY	PLUG CONTACT	2
	LCP,UL94V-0,BLACK	PLUG HOUSING	1
△ FINISH	△ MATERIAL	NAME	ITEM NO.

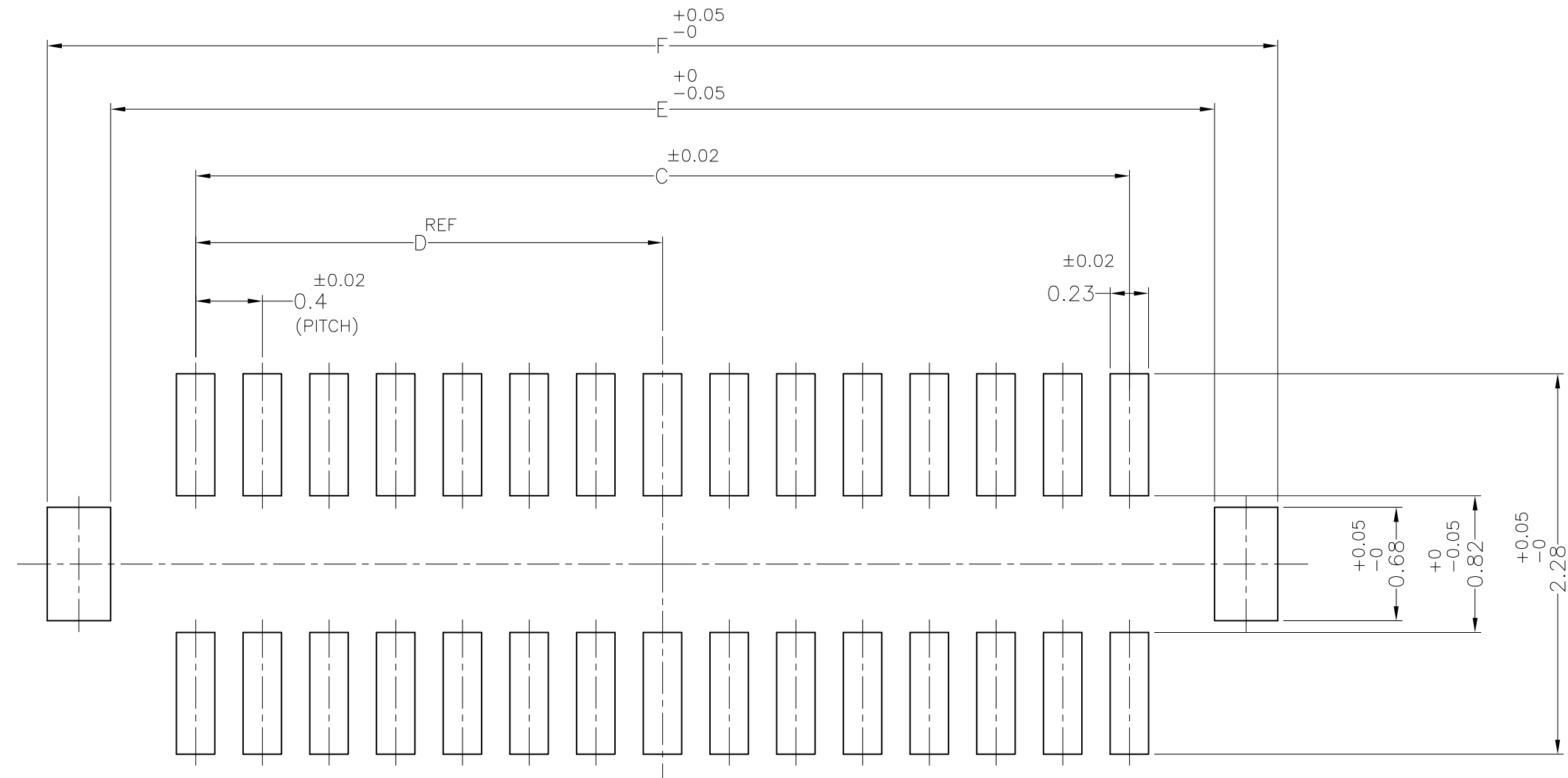
THIS DRAWING IS A CONTROLLED DOCUMENT.

DIMENSIONS: mm	TOLERANCES UNLESS OTHERWISE SPECIFIED:	DWN C.HIKAGE 02AUG2012	TE Connectivity
	0 PLC ± 0.1	CHK A.KUBO 02AUG2012	
	1 PLC ± 0.1	APVD T.KUSUHARA 02AUG2012	
	2 PLC ± 0.1	PRODUCT SPEC 108-78916	
	3 PLC ± 0.1	APPLICATION SPEC 411-78379	NAME 0.4mm PITCH STACKING CONNECTOR PLUG ASSEMBLY 0.98mm HEIGHT
	4 PLC ± 0.1	WEIGHT	SIZE A3
	ANGLES ± 3°		CAGE CODE 00779
MATERIAL △	FINISH △		DRAWING NO C-2201196
			RESTRICTED TO -
			SCALE 20:1
			SHEET 1 OF 3
			REV A

CUSTOMER DRAWING

THIS DRAWING IS UNPUBLISHED.      RELEASED FOR PUBLICATION      - , - .  
 © COPYRIGHT - By Tyco Electronics Japan G.K.      ALL RIGHTS RESERVED.

LOC	DIST	REVISIONS			
P	LTR	DESCRIPTION	DATE	DWN	APVD
J	-	SEE SHEET 1	-	-	-



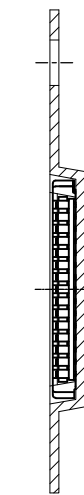
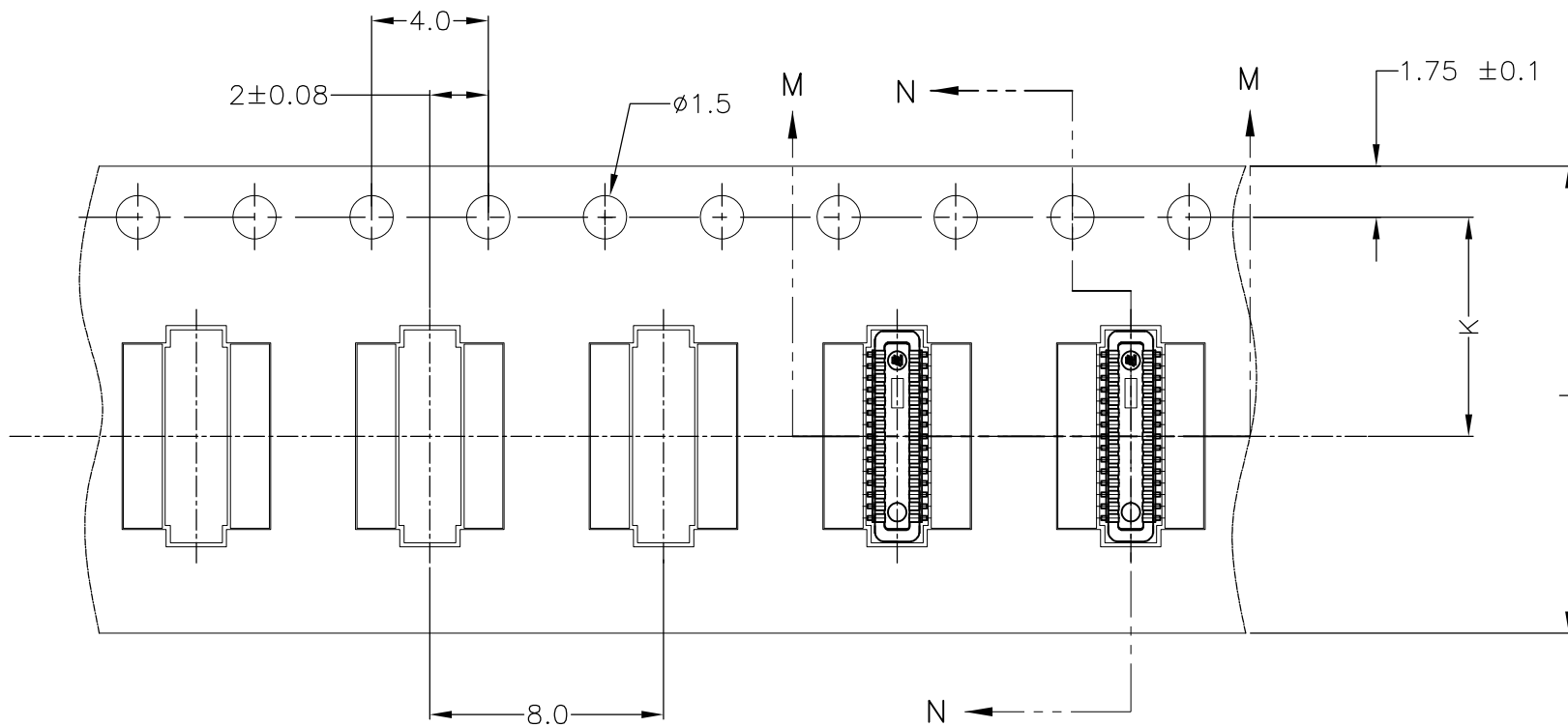
△ REFERENCE PCB LAYOUT  
 (VIEWED FROM MOUNTING SIDE)

- NOTE
- ① MATERIAL REFER TO THE TABLE.
  - ② FINISH REFER TO THE TABLE.
  - 3. MATING CONNECTOR : P/N: \*-2201197-\*
  - ④ LASER MARKING; XXXXX  
DATE CODE    MACHINE CODE  
 (YWW)
  - ⑤ PICK UP THE CONNECTOR AT CENTER
  - ⑥ RECOMMENDED METAL MASK; THICKNESS 0.1mm
  - ⑦ Ni DAM AREA

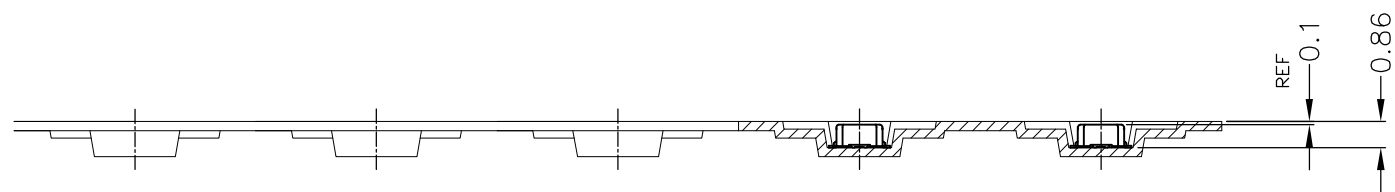
THIS DRAWING IS A CONTROLLED DOCUMENT.		DWN	TE Connectivity			
DIMENSIONS: mm		CHK				
		APVD				
TOLERANCES UNLESS OTHERWISE SPECIFIED:		PRODUCT SPEC				
0 PLC ± 0.1 1 PLC ± 0.1 2 PLC ± 0.1 3 PLC ± 0.1 4 PLC ± 0.1 ANGLES ± 3°		APPLICATION SPEC	NAME 0.4mm PITCH STACKING CONNECTOR PLUG ASSEMBLY 0.98mm HEIGHT			
MATERIAL		WEIGHT	SIZE	CAGE CODE	DRAWING NO	RESTRICTED TO
FINISH		CUSTOMER DRAWING		A3	00779	C-2201196
			SCALE	SHEET	REV	
			NTS	2 of 3	A	

P	LTR	DESCRIPTION	DATE	DWN	APVD
-	-	SEE SHEET 1	-	-	-

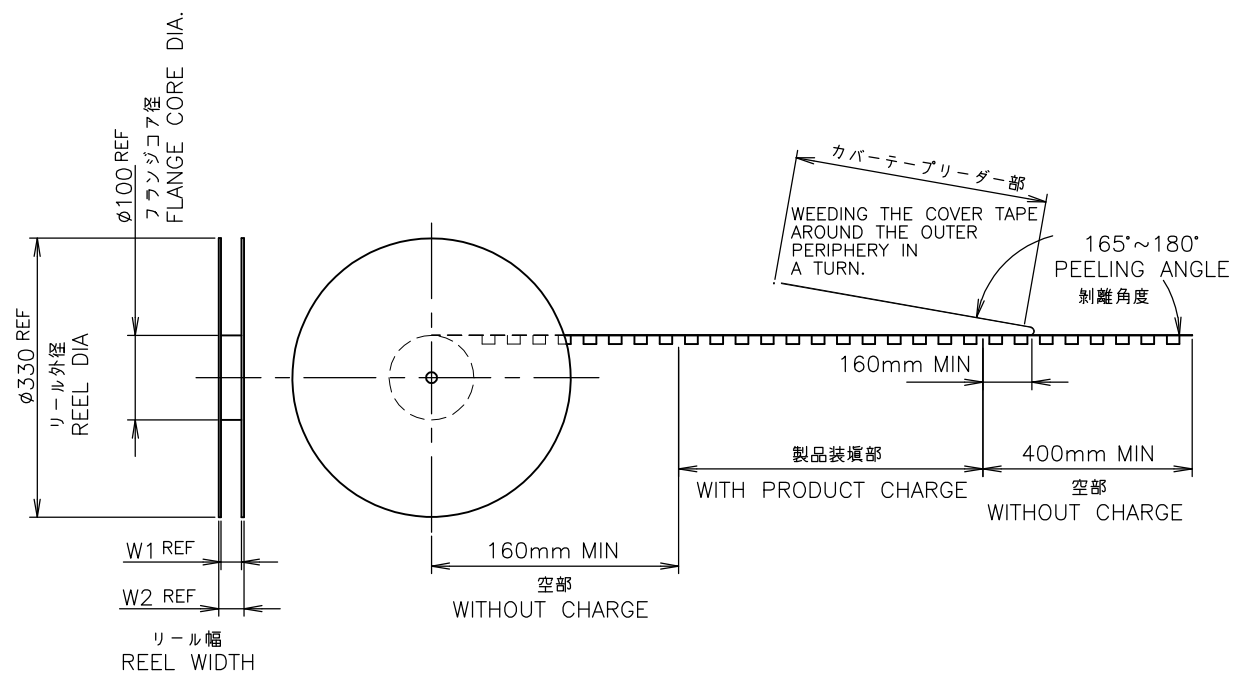
UNREELING DIRECTION 



N-N

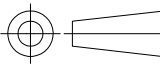


M-M



741.0	22.1	17.5	7.5	16	6.91	7.38	6.62	2.8	5.6	6.35	7.21	5000	30	3-2201196-0
731.5	22.1	17.5	7.5	16	5.71	6.18	5.42	2.2	4.4	5.15	6.01		24	2-2201196-4
708.5	18.1	13.5	5.5	12	2.91	3.38	2.62	0.8	1.6	2.35	3.21		10	1-2201196-0
REEL WEIGHT(g)	W2	W1	K	J	G	F	E	D	C	B	A	QTY/REEL	Pos.	PART NUMBER

THIS DRAWING IS A CONTROLLED DOCUMENT.

DIMENSIONS:	TOLERANCES UNLESS OTHERWISE SPECIFIED:
mm	
	0 PLC ± 0.1
	1 PLC ± 0.1
	2 PLC ± 0.1
	3 PLC ± 0.1
	4 PLC ± 0.1
	ANGLES ± 3°
MATERIAL	FINISH

DWN -  
CHK -  
APVD -

**STE** TE Connectivity

NAME: 0.4mm PITCH STACKING CONNECTOR PLUG ASSEMBLY 0.98mm HEIGHT

PRODUCT SPEC -  
APPLICATION SPEC -  
WEIGHT -

SIZE	CAGE CODE	DRAWING NO	RESTRICTED TO
A3	00779	C-2201196	

CUSTOMER DRAWING SCALE NTS SHEET 3 OF 3 REV A

## X-ON Electronics

Largest Supplier of Electrical and Electronic Components

*Click to view similar products for [Board to Board & Mezzanine Connectors](#) category:*

*Click to view products by [TE Connectivity](#) manufacturer:*

Other Similar products are found below :

[589158040000018](#) [MDF7C-18P-2.54DSA\(55\)](#) [FCN-230C068-11](#) [FCN-268F012-G/BD](#) [FCN-268F036-G/BD](#) [FCN-268M012-G/0D](#) [FCN-268M024-G/1D](#) [FCN-723J004/1](#) [MIS-048-01-F-D-DP-K](#) [832-10-034-10-001000](#) [FX4C-80S-1.27DSA](#) [FCN-214Q030-G/0](#) [FCN-234P048-G/0](#) [FCN-235D050-G/C](#) [210-93-314-41-105000](#) [2-22603-0](#) [MDF7-40DP-2.54DSA\(55\)](#) [AXG720047](#) [5031084030](#) [MIT-114-03-F-D-K](#) [55323-1519](#) [DF33-2P-3.3DSA\(24\)](#) [YFT-20-05-H-03-SB-K](#) [503308-3040](#) [026-6203-PDB](#) [027-6203-PDB](#) [069159702701000](#) [10123981-102LF](#) [101A10019X](#) [55650-0588-C](#) [68682-310LF](#) [68684-306](#) [75140-7012](#) [87471-650](#) [194261-1](#) [FCN-268F024-G0D](#) [10124054-515LF](#) [68685-603](#) [8-1616154-3](#) [MIS-019-01-F-D](#) [FCN-268M024-G/3D](#) [20021832-06016C1LF](#) [KX15-20KLDL-E1000E](#) [MDF7-16DP-2.54DSA\(55\)](#) [AXE810124](#) [FCN-214J100-G/0](#) [FCN-230C068-E/S](#) [AXE812124](#) [AXE816124](#) [AXE720127](#)