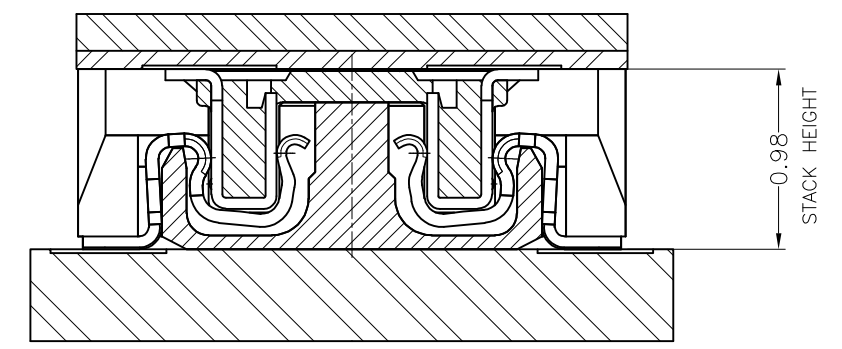
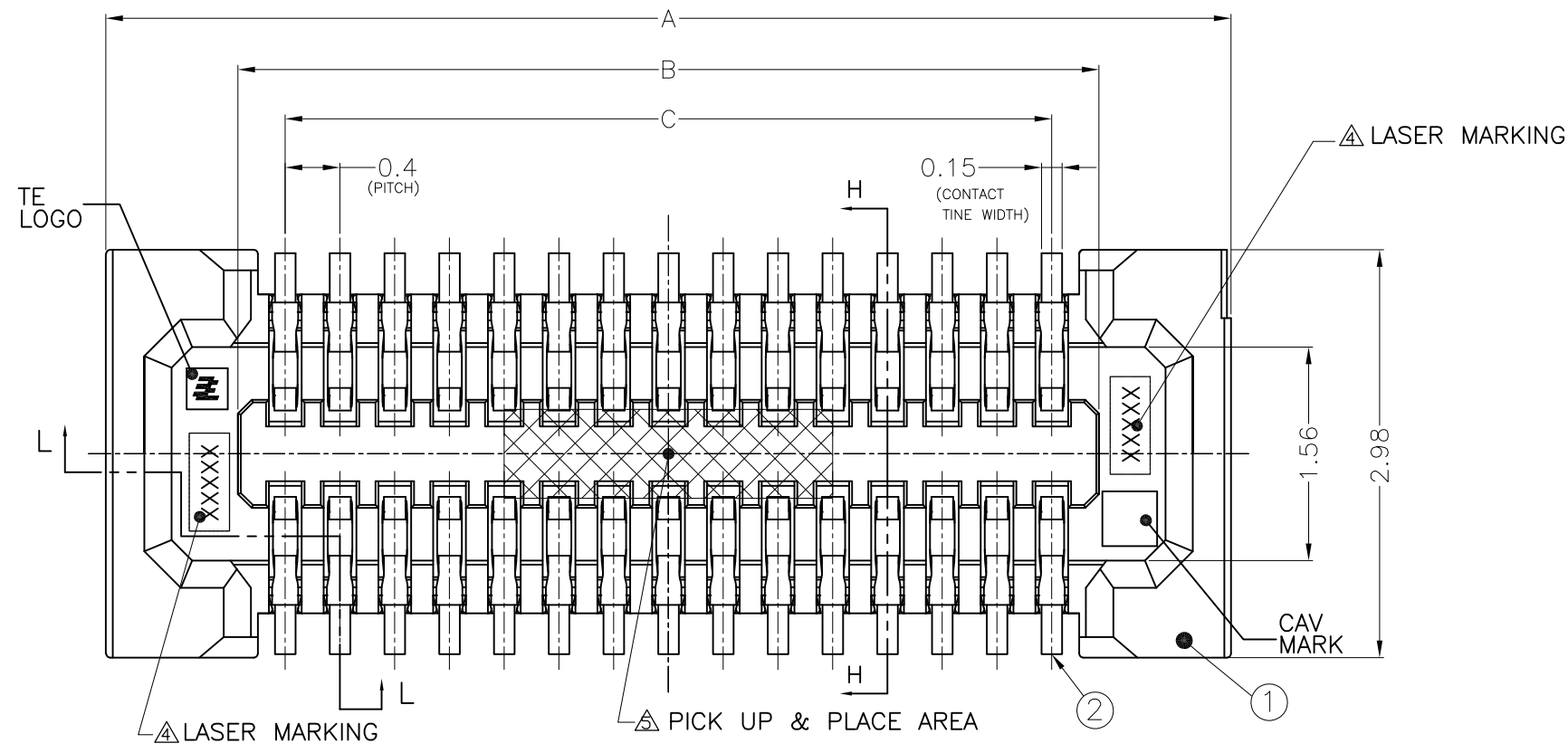
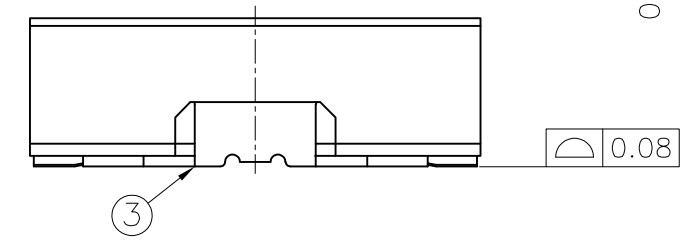
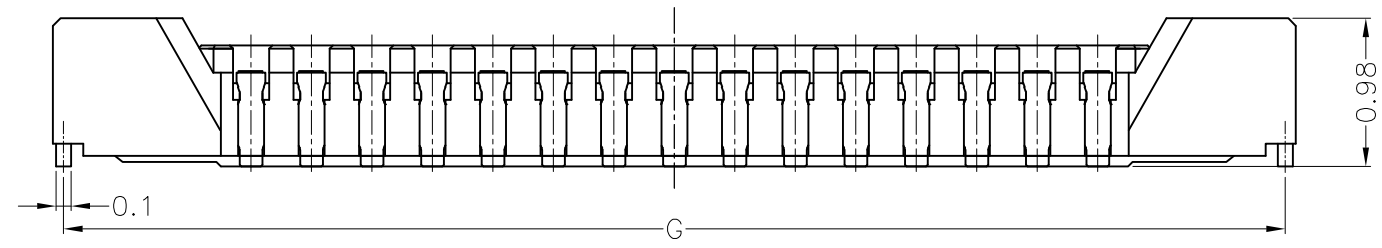
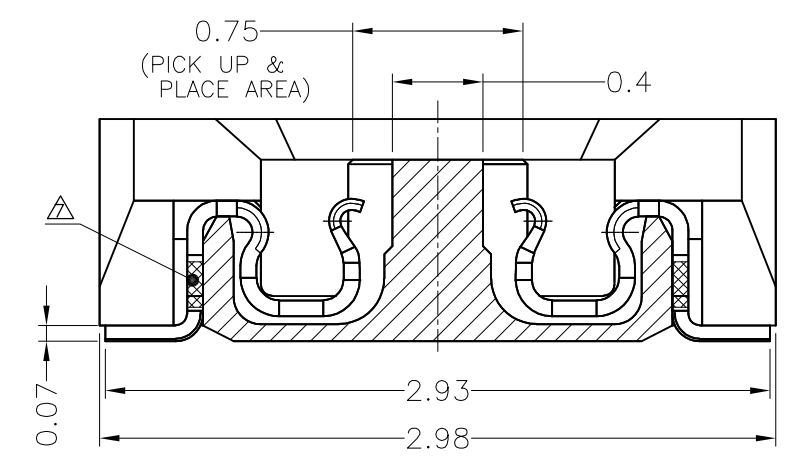


THIS DRAWING IS UNPUBLISHED. RELEASED FOR PUBLICATION
 © COPYRIGHT - By Tyco Electronics Japan G.K. ALL RIGHTS RESERVED.

LOC	DIST	REVISIONS				
P	LTR	DESCRIPTION	LTR	DATE	DWN	APVD
J	-	A	RELEASED	02AUG2012	C.H	T.K



MATING CROSS SECTION (30:1)



Ni UNDER PL.; 0.65um Sn PL.; 2~5um	COPPER ALLOY	REC PEG	3
Ni UNDER PL.; 0.65um Au PL.(CONTACT AREA); 0.1um MIN. Au PL.(TINE AREA); 0.05um MIN.	COPPER ALLOY	REC CONTACT	2
	LCP,UL94V-0,BLACK	REC HOUSING	1
△ FINISH	△ MATERIAL	NAME	ITEM NO.

THIS DRAWING IS A CONTROLLED DOCUMENT.

DIMENSIONS: mm	TOLERANCES UNLESS OTHERWISE SPECIFIED:
	0 PLC ± 0.1 1 PLC ± 0.1 2 PLC ± 0.1 3 PLC ± 0.1 4 PLC ± 0.1 ANGLES ± 3°
MATERIAL	FINISH
△	△

DWN	C.HIKAGE	02AUG2012
CHK	A.KUBO	02AUG2012
APVD	T.KUSUHARA	02AUG2012
PRODUCT SPEC	108-78916	
APPLICATION SPEC	411-78379	
WEIGHT	A3	
CUSTOMER DRAWING		



NAME				0.4mm PITCH STACKING CONNECTOR RECEPTACLE ASSEMBLY 0.98mm HEIGHT			
SIZE	CAGE CODE	DRAWING NO	RESTRICTED TO				
A3	00779	C-2201197	-				
SCALE		SHEET		REV			
20:1		1 OF 3		A			

THIS DRAWING IS UNPUBLISHED.

RELEASED FOR PUBLICATION

© COPYRIGHT - By Tyco Electronics Japan G.K.

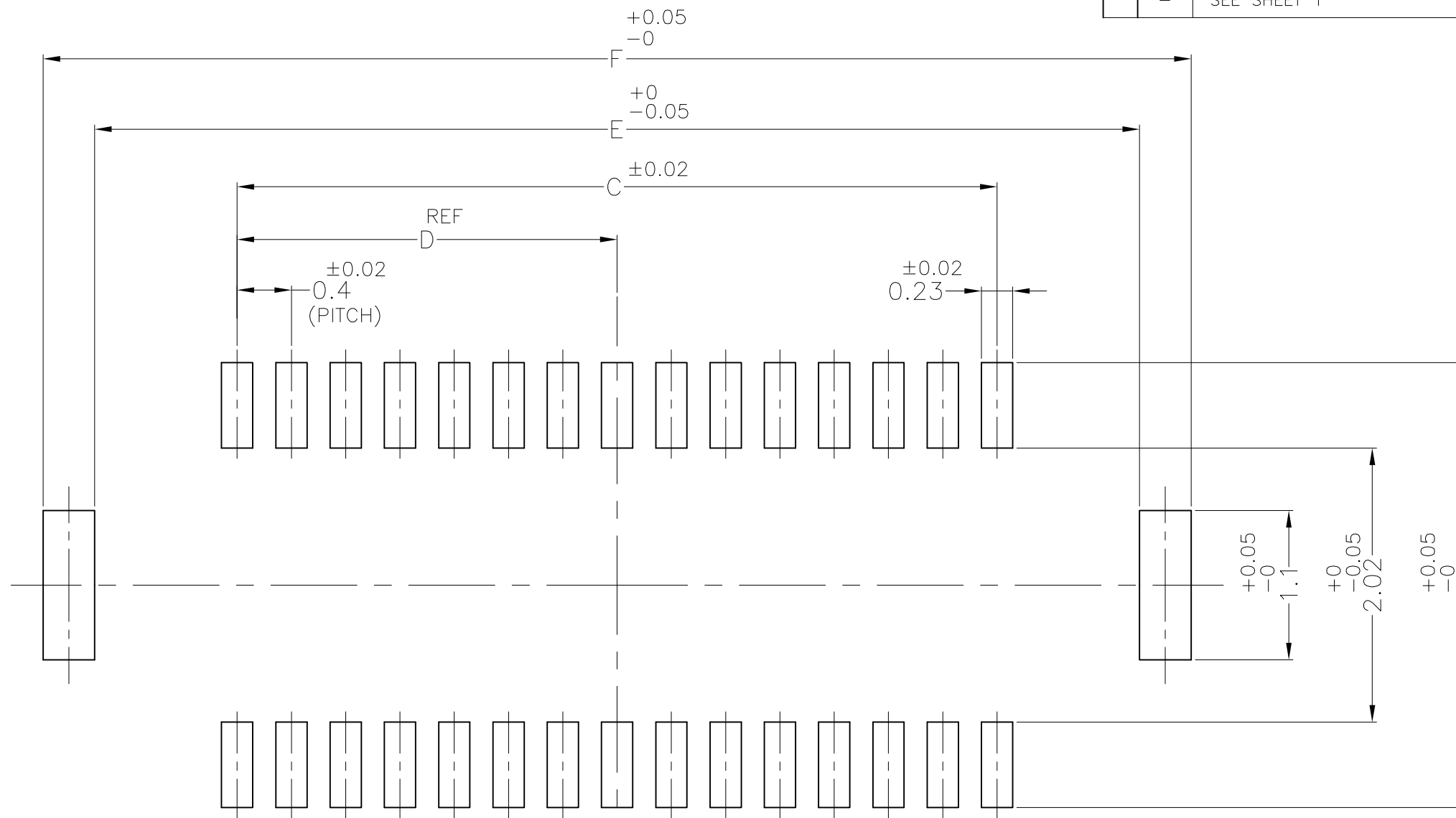
ALL RIGHTS RESERVED.

LOC
J

DIST
-

REVISIONS

P	LTR	DESCRIPTION	LTR	DATE	DWN	APVD
-	-	SEE SHEET 1	-	-	-	-



△ REFERENCE PCB LAYOUT
(VIEWED FROM MOUNTING SIDE)

NOTE

- ① MATERIAL REFER TO THE TABLE.
- ② FINISH REFER TO THE TABLE.
- 3. MATING CONNECTOR : P/N: *-2201196-*
- ④ LASER MARKING: ~~XXXXXX~~
DATE CODE MACHINE CODE
(YWW)
- ⑤ PICK UP THE CONNECTOR AT CENTER
- ⑥ RECOMMENDED METAL MASK; THICKNESS 0.1mm
- ⑦ Ni DAM AREA

THIS DRAWING IS A CONTROLLED DOCUMENT.		DWN	TE Connectivity			
DIMENSIONS: mm		CHK				
TOLERANCES UNLESS OTHERWISE SPECIFIED:		APVD	NAME			
0 PLC ± 0.1 1 PLC ± 0.1 2 PLC ± 0.1 3 PLC ± 0.1 4 PLC ± 0.1 ANGLES ± 3°		PRODUCT SPEC	0.4mm PITCH STACKING CONNECTOR RECEPTACLE ASSEMBLY 0.98mm HEIGHT			
MATERIAL		APPLICATION SPEC	SIZE	CAGE CODE	DRAWING NO	RESTRICTED TO
FINISH		WEIGHT	A3	00779	C-2201197	
CUSTOMER DRAWING			SCALE	SHEET	REV	
			NTS	2 OF 3	A	

THIS DRAWING IS UNPUBLISHED.

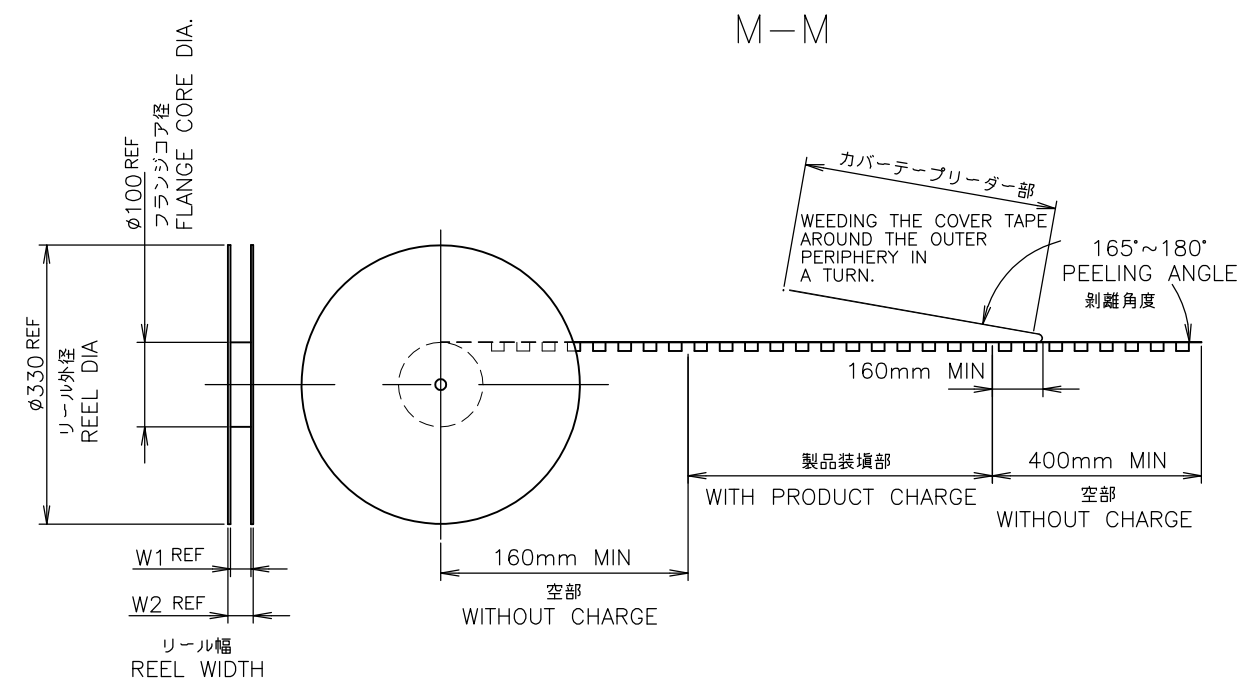
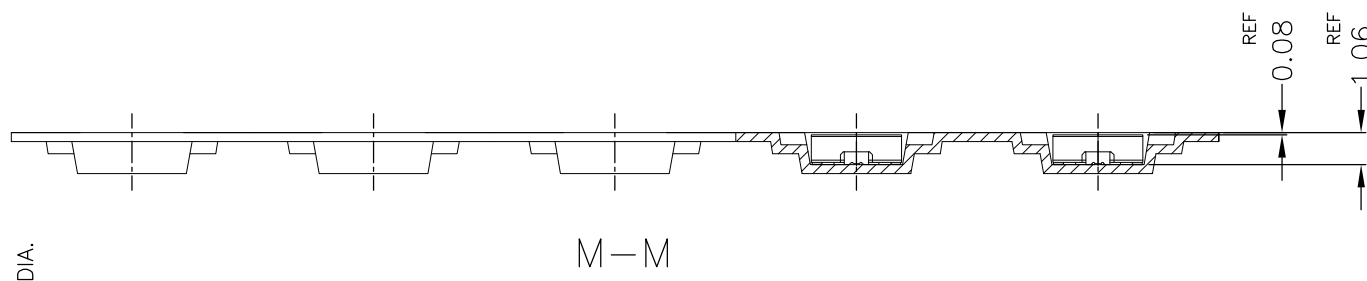
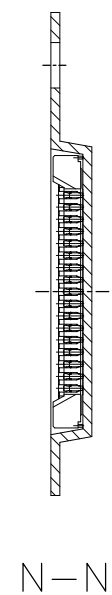
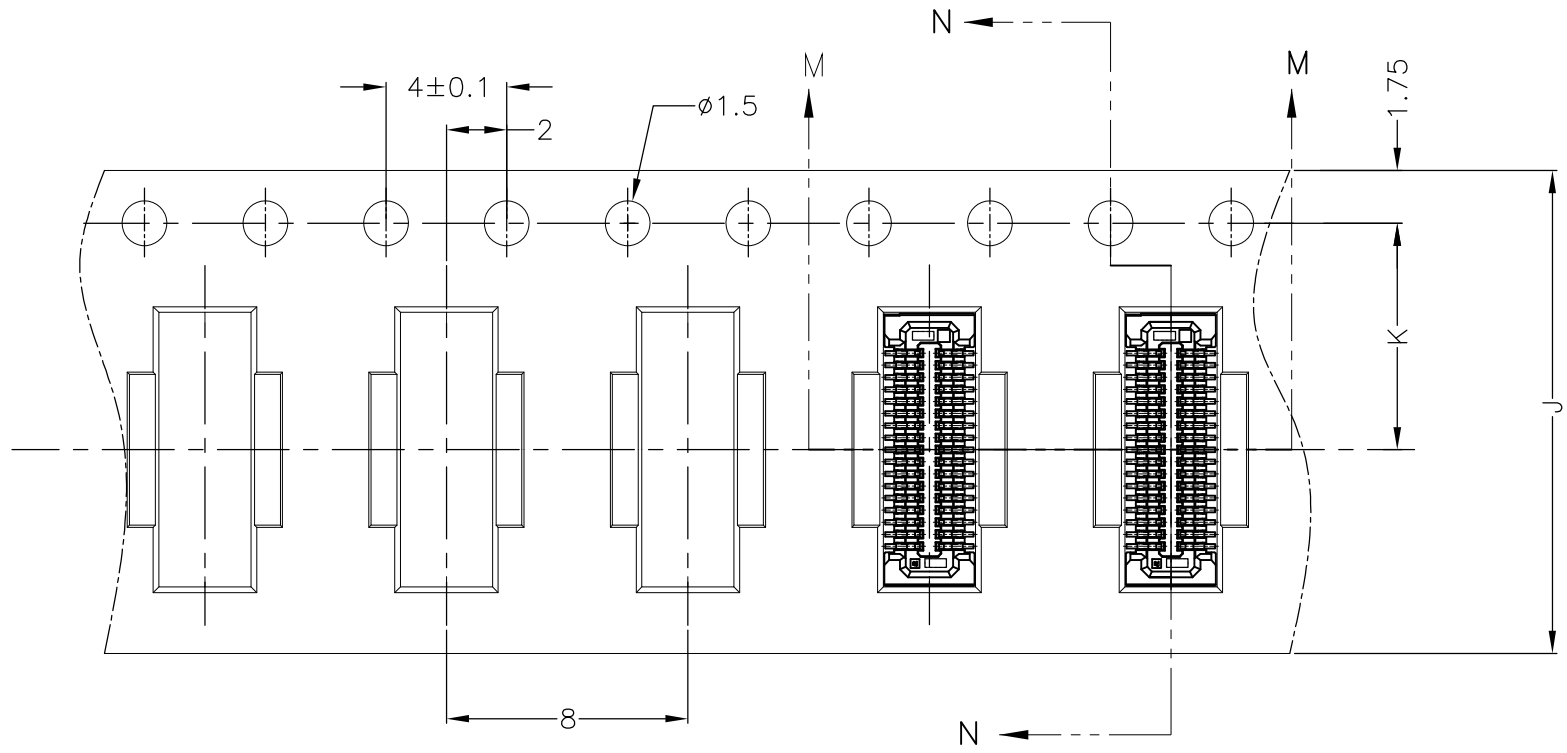
RELEASED FOR PUBLICATION

© COPYRIGHT - By Tyco Electronics Japan G.K.

ALL RIGHTS RESERVED.

LOC	DIST	REVISIONS						
J	-	P	LTR	DESCRIPTION	LTR	DATE	DWN	APVD
		-		SEE SHEET 1		-	-	-

UNREELING DIRECTION 



814.5	22.1	17.5	7.5	16	8.08	8.46	7.7	2.8	5.6	6.29	8.22	5000	30	3-2201197-0
797.5	22.1	17.5	7.5	16	6.88	7.26	6.5	2.2	4.4	5.09	7.02		24	2-2201197-4
757.0	18.1	13.5	5.5	12	4.08	4.46	3.7	0.8	1.6	2.29	4.22		10	1-2201197-0
REEL WEIGHT(g)	W2	W1	K	J	G	F	E	D	C	B	A	QTY/REEL	Pos.	PART NUMBER

THIS DRAWING IS A CONTROLLED DOCUMENT.

STE TE Connectivity

0.4mm PITCH STACKING CONNECTOR RECEPTACLE ASSEMBLY 0.98mm HEIGHT

DWN	CHK	APVD	PRODUCT SPEC	APPLICATION SPEC	WEIGHT
NAME					
SIZE			CAGE CODE	DRAWING NO	RESTRICTED TO
A3			00779	C-2201197	
CUSTOMER DRAWING				SCALE	SHEET
				NTS	3 of 3
				REV	A

X-ON Electronics

Largest Supplier of Electrical and Electronic Components

Click to view similar products for [Board to Board & Mezzanine Connectors](#) category:

Click to view products by [TE Connectivity](#) manufacturer:

Other Similar products are found below :

[589158040000018](#) [FCN-230C068-11](#) [FCN-268F012-G/BD](#) [FCN-268F036-G/BD](#) [FCN-268M012-G/0D](#) [FCN-268M024-G/1D](#) [FCN-723J004/1](#) [MIS-048-01-F-D-DP-K](#) [832-10-034-10-001000](#) [FX4C-80S-1.27DSA](#) [FCN-214Q030-G/0](#) [FCN-234P048-G/0](#) [FCN-235D050-G/C](#) [210-93-314-41-105000](#) [2-22603-0](#) [MDF7-40DP-2.54DSA\(55\)](#) [AXG720047](#) [5031084030](#) [MIT-114-03-F-D-K](#) [55323-1519](#) [DF33-2P-3.3DSA\(24\)](#) [YFT-20-05-H-03-SB-K](#) [503308-3040](#) [026-6203-PDB](#) [027-6203-PDB](#) [069159702701000](#) [10123981-102LF](#) [101A10019X](#) [55650-0588-C](#) [68684-306](#) [75140-7012](#) [589159005003045](#) [194261-1](#) [FCN-268F024-G0D](#) [10124054-515LF](#) [68685-603](#) [8-1616154-3](#) [MIS-019-01-F-D](#) [589159005002045](#) [541371078](#) [IL-WX-10PB-HF-B-E1000E](#) [FCN-268M024-G/3D](#) [20021832-06016C1LF](#) [KX15-20KLDL-E1000E](#) [MDF7-16DP-2.54DSA\(55\)](#) [AXE810124](#) [FCN-214J100-G/0](#) [FCN-230C068-E/S](#) [AXE812124](#) [AXE816124](#)