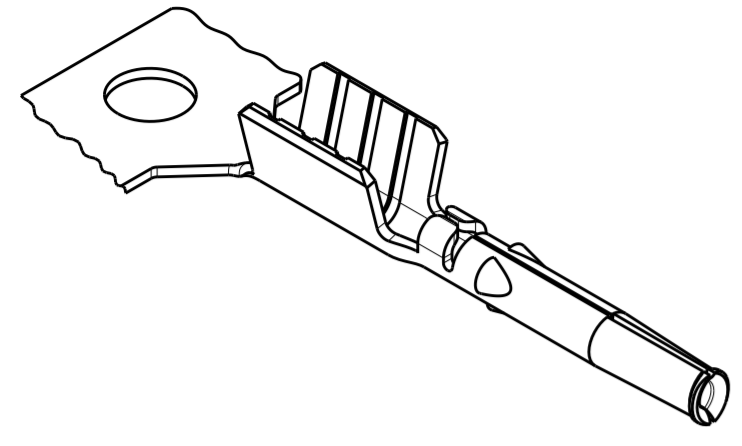
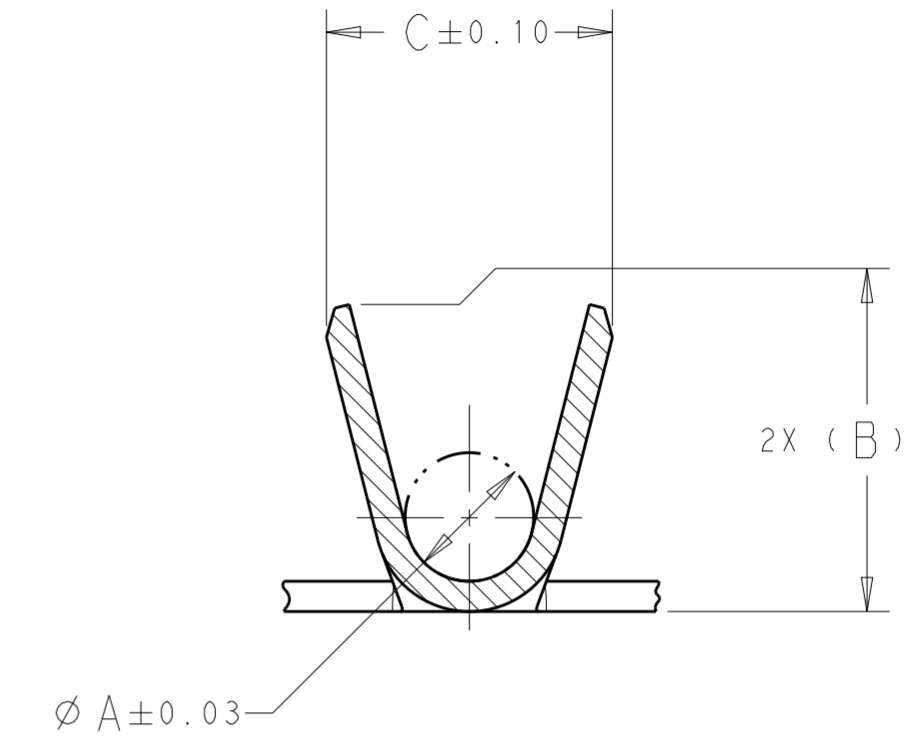
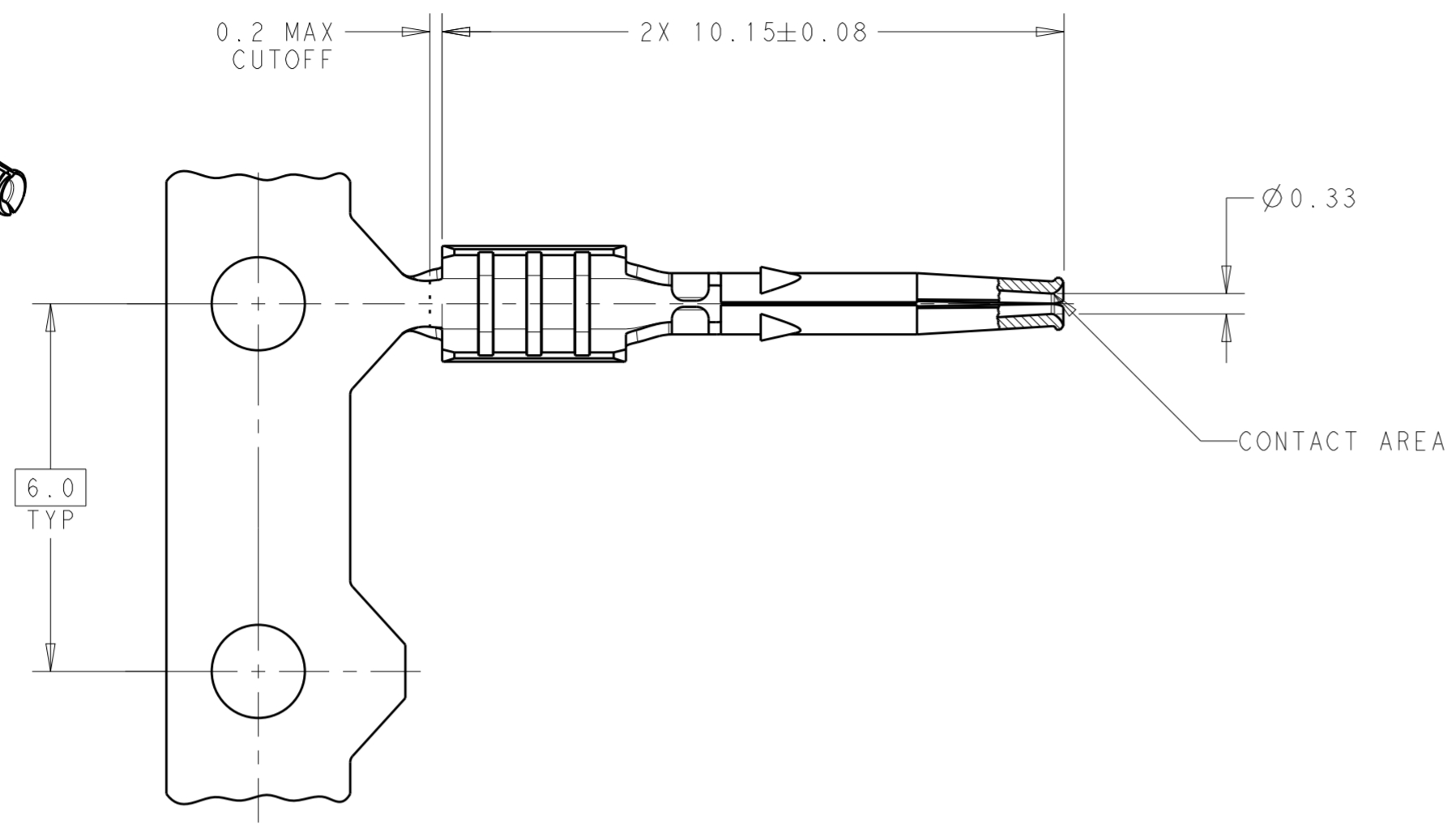


THIS DRAWING IS UNPUBLISHED. RELEASED FOR PUBLICATION 20
 © COPYRIGHT 20 BY - ALL RIGHTS RESERVED.

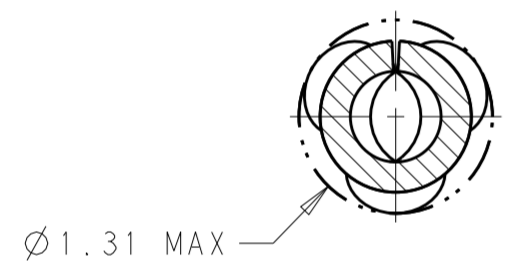
REVISIONS					
P	LTR	DESCRIPTION	DATE	DWN	APVD
C		REVISED	18FEB2016	DJH	DJL
C1		REVISED	07NOV2016	ERL	ERL
D		REVISED	15MAY2019	JAB	NE
D1		REVISED PER ECO-19-011159	17JUL2019	KF	NE



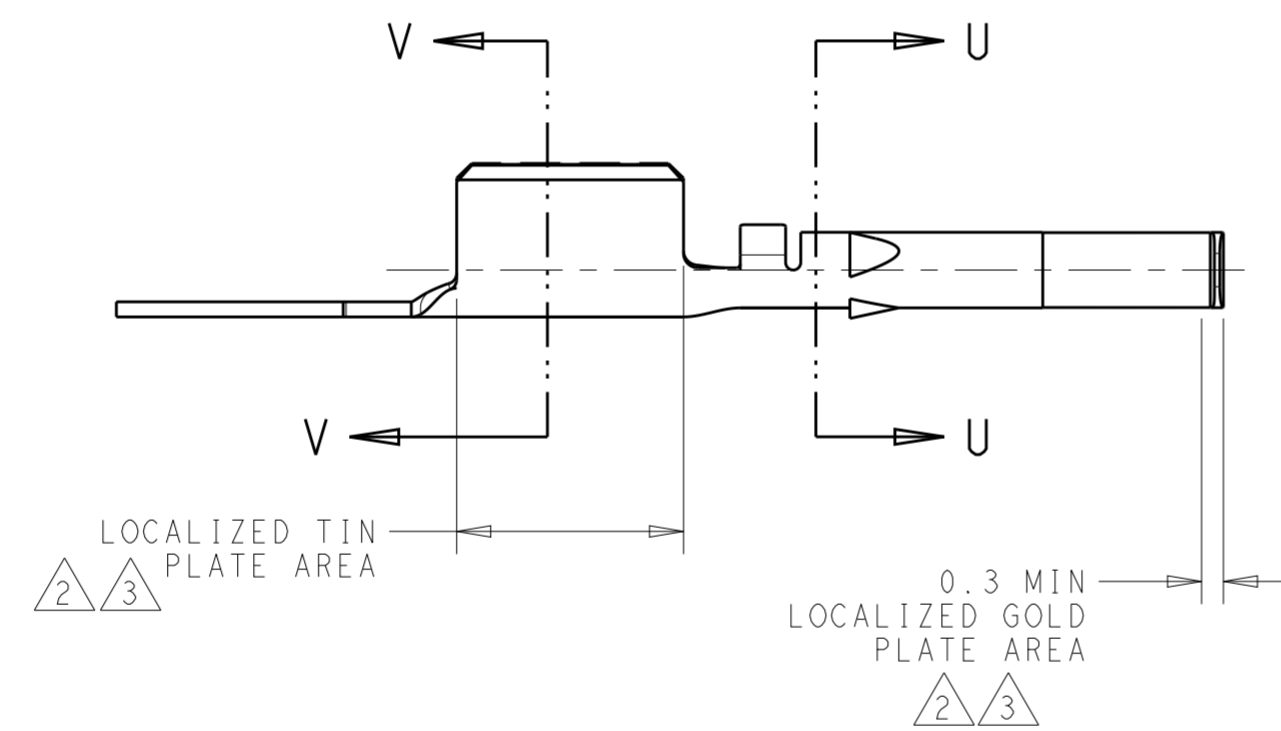
ISOMETRIC VIEW
SCALE 8:1



SECTION V-V
SCALE 20:1



SECTION U-U
SCALE 20:1



LOCALIZED TIN PLATE AREA
 LOCALIZED GOLD PLATE AREA
 0.3 MIN

2.13	2.28	1.00	2	RG-58 LL	4-2203270-7	1-2203270-9
2.13	2.28	1.00	3	RG-58, DACAR 037	-	1-2203270-8
2.13	2.28	1.00	2	RG-58, DACAR 037	-	1-2203270-7
2.13	2.28	1.00	3	RG-58 LL	3-2203270-2	1-2203270-5
1.89	2.03	0.85	3	RTK-031, 2DS-PPFW(TA)	2-2203270-6	1-2203270-4
OBSOLETE	-	-	-	-	-	1-2203270-3
1.42	1.57	0.55	3	1.5DS, DACAR 363, DACAR 462, RG-174, RG-174 LL, RG-316	2-2203270-3	1-2203270-2
1.05	1.14	0.35	3	1.5CS	2-2203270-9	1-2203270-1
SUPERSEDED BY 1-2203270-9	-	-	-	-	-	1-2203270-0
1.89	2.03	0.85	2	RTK-031, 2DS-PPFW(TA)	4-2203270-5	2203270-8
OBSOLETE	-	-	-	-	-	2203270-6
1.42	1.57	0.55	2	1.5DS, DACAR 363, DACAR 462, RG-174, RG-174 LL, RG-316	4-2203270-3	2203270-4
1.05	1.14	0.35	2	1.5CS	-	2203270-2
C	B	A	FINISH	APPLICABLE CABLE SIZE	ALTERNATE PART NUMBER	PART NUMBER

- 1 PHOSPHOR BRONZE. ALTERNATE: COPPER ALLOY.
- 2 0.38µm MIN GOLD PLATE IN LOCALIZED GOLD PLATE AREA, 2.5µm MIN TIN PLATE IN LOCALIZED TIN PLATE AREA, BOTH OVER 1.5µm MIN NICKEL PLATE.
- 3 0.80µm MIN GOLD PLATE IN LOCALIZED GOLD PLATE AREA, 2.5µm MIN TIN PLATE IN LOCALIZED TIN PLATE AREA, BOTH OVER 1.27µm MIN NICKEL PLATE.
- 4. CENTER CONTACT WILL ACCEPT COAXIAL CABLE: SEE TABLE.
- 5. 2203270-8 AS SHOWN.
- 6. PACKAGED ON REEL.

THIS DRAWING IS A CONTROLLED DOCUMENT.

DWN: D. J. HARDY 12AUG2015
 CHK: D. J. LANE 12AUG2015
 APVD: D. J. LANE 12AUG2015

STE TE Connectivity

NAME: CENTER CONTACT, FEMALE, 180 DEGREE, FAKRA AUTOMATED

PRODUCT SPEC: 108-32107
 APPLICATION SPEC: 114-32145

MATERIAL: SEE TABLE

SIZE: A2 CAGE CODE: - DRAWING NO: C-2203270 RESTRICTED TO: -
 SCALE: 10:1 SHEET: 1 OF 1 REV: D1

X-ON Electronics

Largest Supplier of Electrical and Electronic Components

Click to view similar products for [Automotive Connectors](#) category:

Click to view products by [TE Connectivity](#) manufacturer:

Other Similar products are found below :

[003-018-000](#) [60403001](#) [60993906-B](#) [M902-2131](#) [M902-2161](#) [72.330.1035.1](#) [73.353.4028.0](#) [F119300-B](#) [F166900](#) [F258300-B](#) [F358300-B](#)
[F407400](#) [F444110](#) [F487000](#) [F509500B-B](#) [827153-1](#) [8N1515-32-24P](#) [9-1326729-8](#) [925474-1](#) [928905-1](#) [964562-4](#) [968782-1](#) [GT17SA-8DS-](#)
[HU](#) [98891-1012](#) [98947-1016](#) [12004147](#) [12004475-L](#) [12010290](#) [12010309-B](#) [12015454](#) [12020219-B](#) [12020308](#) [12041318-B](#) [12052225-L](#)
[12052466](#) [12059125](#) [12064869](#) [12004327-B](#) [12010503-B](#) [12015308](#) [12015384](#) [12015909](#) [1-21030-1](#) [12041254](#) [12041318](#) [12047946-B](#)
[12047957](#) [12047957-L](#) [12059473](#) [12066261](#)