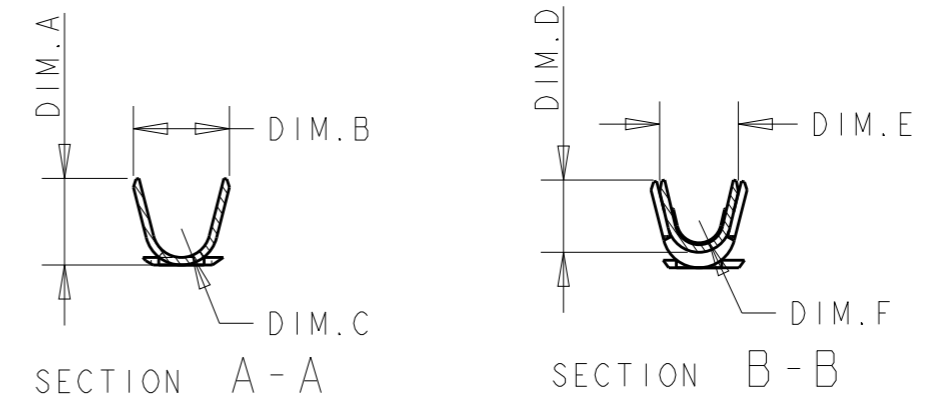
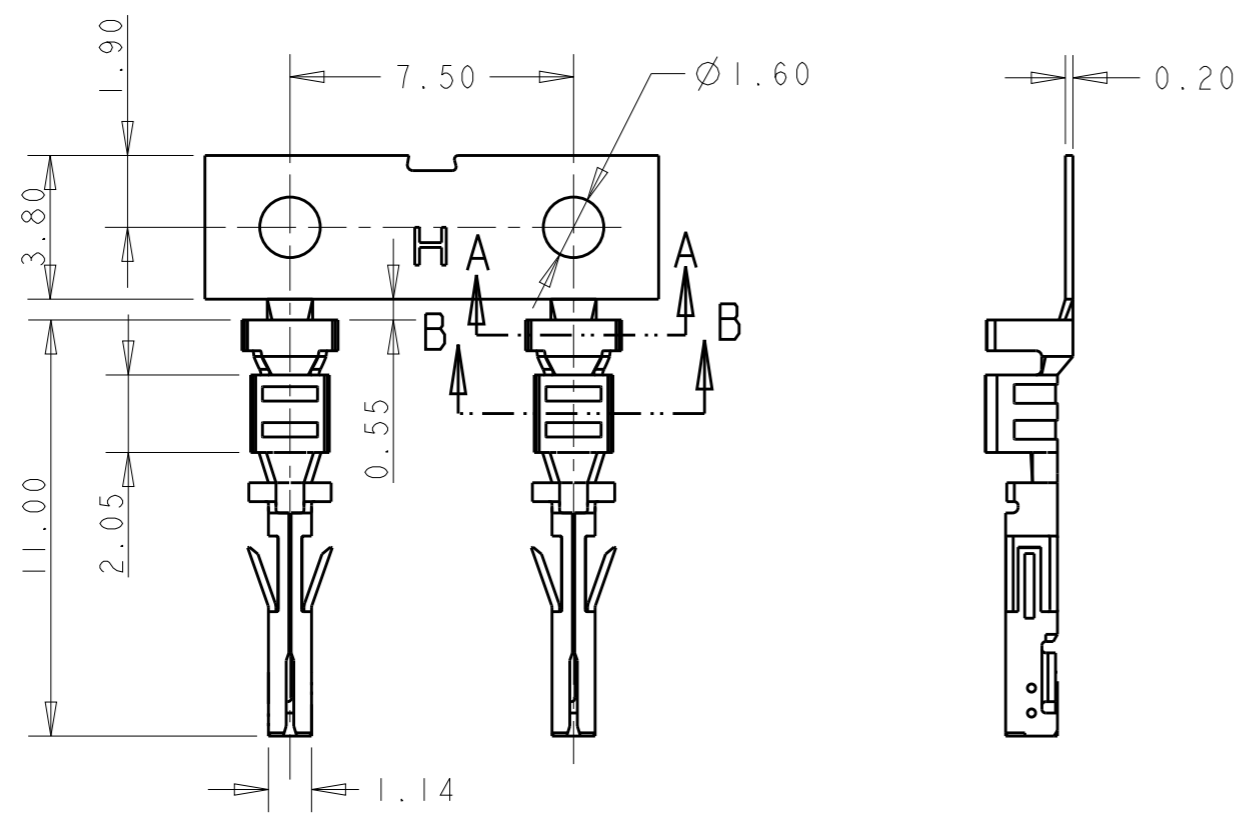


THIS DRAWING IS UNPUBLISHED. RELEASED FOR PUBLICATION 20  
 © COPYRIGHT 20 BY - ALL RIGHTS RESERVED.

REVISIONS					
P	LTR	DESCRIPTION	DATE	DWN	APVD
	A	INITIAL RELEASE	06JUN2019	OL	SZ



- SECTION A-A  
 NOTES:  
 1. MATERIAL: COPPER ALLOY.  
 2. FINISH: SEE PART NUMBER LIST.  
 3. THIS RECEPTACLE TERMINAL TO BE USED WITH RECEPTACLE HOUSING 2204748.  
 4. PACKAGED IN MATERIAL BELT/STRIP.

NICKEL UNDERPLATING OVER ALL FOR ALL PART NUMBERS; *: PLATING ON CONTACT AREA AND CRIMPING AREA 1: GOLD FLASH ON CONTACT AREA; 100u" MIN. BRIGHT TIN PLATING ON CRIMPING AREA; 2: 5u" MIN. GOLD PLATING ON CONTACT AREA; 100u" MIN. BRIGHT TIN PLATING ON CRIMPING AREA; 3: 10u" MIN. GOLD PLATING ON CONTACT AREA; 100u" MIN. BRIGHT TIN PLATING ON CRIMPING AREA; 4: 15u" MIN. GOLD PLATING ON CONTACT AREA; 100u" MIN. BRIGHT TIN PLATING ON CRIMPING AREA; 5: 30u" MIN. GOLD PLATING ON CONTACT AREA; 100u" MIN. BRIGHT TIN PLATING ON CRIMPING AREA; 7: 100u" BRIGHT TIN PLATING OVER ALL; 8: 100u" MATTE TIN PLATING OVER ALL.	1.27	26~30 AWG	0.51	1.65	1.47	0.64	2.10	1.91	2-2204749-*
	1.85	20~24 AWG	0.64	2.08	1.91	0.76	2.54	2.29	1-2204749-*
	2.40	16~20 AWG	0.76	2.48	2.31	0.88	3.14	2.94	2204749-*
	REMARK	MAX INSULATION	WIRE SIZE	DIM.F	DIM.E ±0.30	DIM.D ±0.30	DIM.C	DIM.B ±0.30	DIM.A ±0.30

THIS DRAWING IS A CONTROLLED DOCUMENT.		DWN 9-Aug-18 RADAR SUN		
DIMENSIONS: mm		CHK 9-Aug-18 SUNY ZHAO		
TOLERANCES UNLESS OTHERWISE SPECIFIED:		APVD 9-Aug-18 SUNY ZHAO	NAME ELCON MICRO POWER CONNECTOR, RECEPTACLE, TERMINAL, 3.00MM PITCH, 2XN CIRCUITS	
0 PLC ±-		PRODUCT SPEC	SIZE	
1 PLC ±±0.30		APPLICATION SPEC	CAGE CODE	
2 PLC ±±0.20		WEIGHT	DRAWING NO	
3 PLC ±-		CUSTOMER DRAWING	A300779	
4 PLC ±-		SCALE 5:1	SHEET 1 OF 1	
ANGLES ±-		RESTRICTED TO	REV A	
FINISH		G=2204749		

## X-ON Electronics

Largest Supplier of Electrical and Electronic Components

*Click to view similar products for [Heavy Duty Power Connectors](#) category:*

*Click to view products by [TE Connectivity](#) manufacturer:*

Other Similar products are found below :

[647757-1](#) [6643411-1](#) [6646058-2](#) [6646137-1](#) [6646138-1](#) [6646479-1](#) [6646608-1](#) [6646786-1](#) [6646940-1](#) [6651091-1](#) [6651525-1](#) [6651529-1](#)  
[6651788-1](#) [696475-1](#) [702-32-01109](#) [703-25-02205](#) [73000005059](#) [73000005642](#) [73080255059](#) [73080965046](#) [765-15-0080A](#) [765-16-0080B](#)  
[765-18-0080D](#) [829992-1](#) [902-77-02113](#) [PS00/A0620/6300](#) [PS25/A0420/63](#) [129-1J](#) [1409400](#) [AN0024023](#) [E6374G1](#) [e6389g2](#) [157-43GW8](#)  
[MS3117-14AC](#) [1643543-1](#) [1650540-1](#) [1651811-2](#) [1766260-1](#) [1766282-1](#) [1766966-1](#) [1791340000](#) [NLDFT-3-BL-L-S120-M40A](#) [NLDFT-N-](#)  
[W-L-C240-M40B](#) [NLS-2-R-C240-M40B](#) [NLS-N-W-C240-M40B](#) [NPS-3-BL-T6](#) [1986615-1](#) [2-1589900-8](#) [2199314-1](#) [KA8102](#)