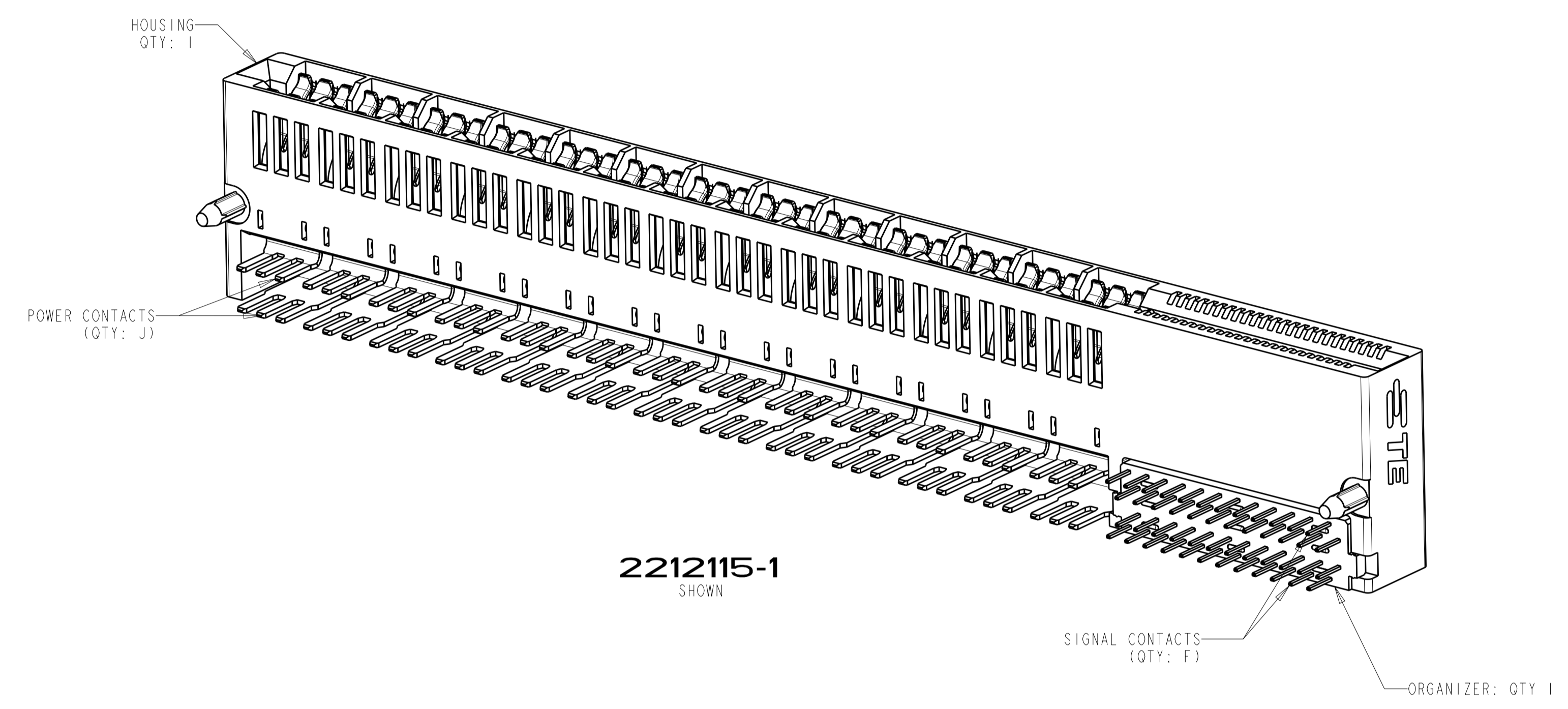


LOC	DIST	REVISIONS					
		P	LTN	DESCRIPTION	DATE	DWN	APVD
AA	00	A		FIRST RELEASE	15JUL2016	SZ	SZ

1. MATERIAL: HOUSING - THERMOPLASTIC, GLASS REINFORCED, COLOR: BLACK.
CONTACT - COPPER ALLOY
2. FINISH: CONTACT - GOLD PLATED OVER NICKEL.
SOLDER TAILS - MATTE TIN OVER NICKEL
3. CONNECTOR ASSEMBLY MARKED WITH PART NUMBER AND DATE CODE IN THE APPROXIMATE AREA SHOWN
4. DATUMS AND BASIC DIMENSIONS TO BE ESTABLISHED BY CUSTOMER
5. MANUFACTURING TOLERANCE FOR 1.07mm DIAMETER FINISHED HOLE:
DRILLED HOLE = 1.15+/-0.03mm
COPPER PLATE = 0.050/0.025mm (MAX HARDNESS 150 KNOOP)
TIN/LEAD PLATE (HASL) = 0.010/0.004mm
6. MANUFACTURING TOLERANCE FOR 0.70mm DIAMETER FINISHED HOLE:
DRILLED HOLE = 0.78+/-0.03mm
COPPER PLATE = 0.050/0.025mm (MAX HARDNESS 150 KNOOP)
TIN/LEAD PLATE (HASL) = 0.010/0.004mm



2.92	3.50	16.22	2.81	15.50	4	6.30	1.78	2	9.11	4	8	6	6	0	15.81	18.61	2 X 1 POWER 2 X 4 SIGNAL	1-2212115-4
2.92	3.50	36.74	13.07	36.02	10	16.56	6.04	6	29.63	12	20	18	18	4	36.33	39.13	2 X 3 POWER 2 X 10 SIGNAL	1-2212115-3
2.92	3.50	44.74	17.07	44.02	18	20.56	2.04	6	37.63	12	36	34	18	4	44.33	47.13	2 X 3 POWER 2 X 18 SIGNAL	1-2212115-2
2.92	3.50	31.48	10.44	30.76	12	13.93	1.41	4	24.37	8	24	22	12	2	31.07	33.87	2 X 2 POWER 2 X 12 SIGNAL	1-2212115-1
2.92	3.50	24.22	6.81	23.50	12	10.30	-2.22	2	17.11	4	24	22	6	0	23.81	26.61	2 X 1 POWER 2 X 12 SIGNAL	2212115-9
4.45	5.00	60.52	24.96	59.80	12	28.45	15.93	12	53.41	24	24	22	36	10	60.11	62.91	2 X 6 POWER 2 X 12 SIGNAL	2212115-8
2.92	3.50	60.52	24.96	59.80	12	28.45	15.93	12	53.41	24	24	22	36	10	60.11	62.91	2 X 6 POWER 2 X 12 SIGNAL	2212115-7
4.45	5.00	42.00	15.70	41.28	8	19.19	10.67	8	34.89	16	16	14	24	6	41.59	44.39	2 X 4 POWER 2 X 8 SIGNAL	2212115-6
2.92	3.50	42.00	15.70	41.28	8	19.19	10.67	8	34.89	16	16	14	24	6	41.59	44.39	2 X 4 POWER 2 X 8 SIGNAL	2212115-5
4.45	5.00	23.48	6.44	22.76	4	9.93	5.41	4	16.37	8	8	6	12	2	23.07	25.87	2 X 2 POWER 2 X 4 SIGNAL	2212115-4
2.92	3.50	23.48	6.44	22.76	4	9.93	5.41	4	16.37	8	8	6	12	2	23.07	25.87	2 X 2 POWER 2 X 4 SIGNAL	2212115-3
4.45	5.00	123.34	56.37	122.62	24	59.86	35.34	26	116.23	52	48	46	78	24	122.93	125.73	2 X 13 POWER X 2 X 24 SIGNAL	2212115-2
2.92	3.50	123.34	56.37	122.62	24	59.86	35.34	26	116.23	52	48	46	78	24	122.93	125.73	2 X 13 POWER X 2 X 24 SIGNAL	2212115-1
EE	DD	R	P	N	M	L	K	J	H	G	F	E	D	C	B	A	DESCRIPTION	PART NUMBER

THIS DRAWING IS A CONTROLLED DOCUMENT.

DIMENSIONS: mm

TOLERANCES UNLESS OTHERWISE SPECIFIED:

0 PLC	±
1 PLC	±0.5
2 PLC	±0.25
3 PLC	±
4 PLC	±
ANGLES	±0.5°

MATERIAL: SEE NOTE 1

FINISH: SEE NOTE 2

APPROVED: S. FLICKINGER

DATE: 01MAR2013

PRODUCT SPEC: -

APPLICATION SPEC: -

WEIGHT: -

CUSTOMER DRAWING

DWN: L.A.WENSEL 01MAR2013

CHK: D.SZCZESNY 01MAR2013

NAME: CONNECTOR ASSEMBLY, MULTI-BEAM CE, POWER/SIGNAL, RIGHT ANGLE, SOLDER MOUNT

SIZE: A1

CAGE CODE: 00779

DRAWING NO: 2212115

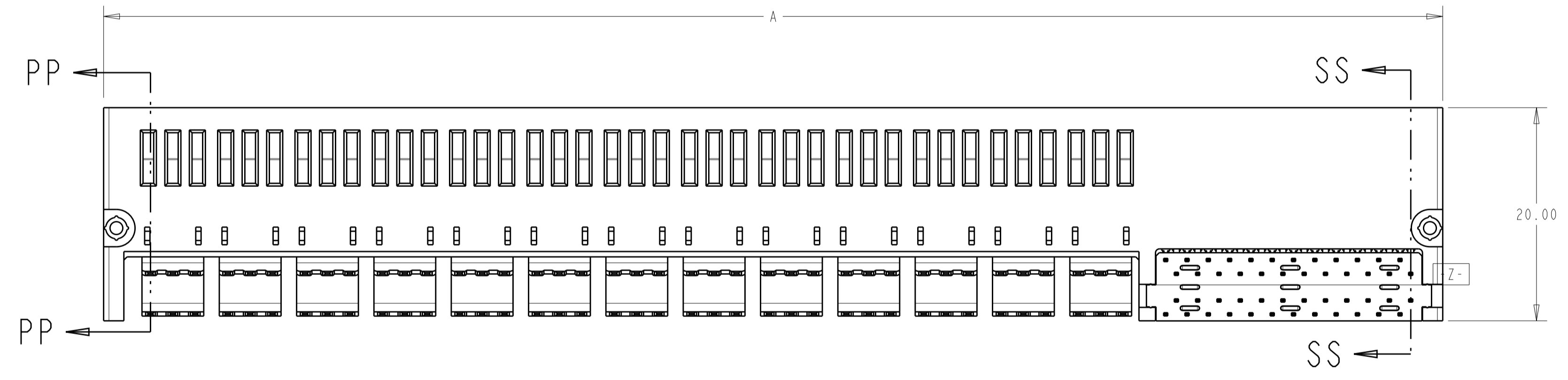
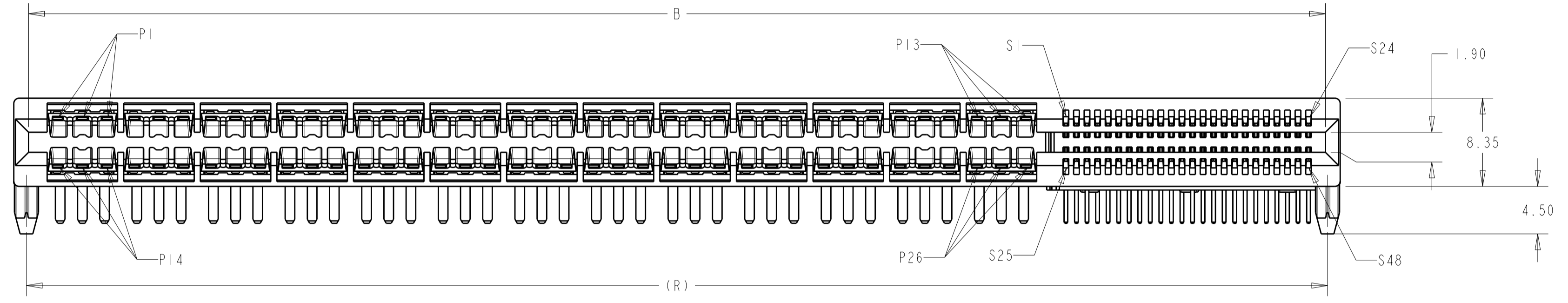
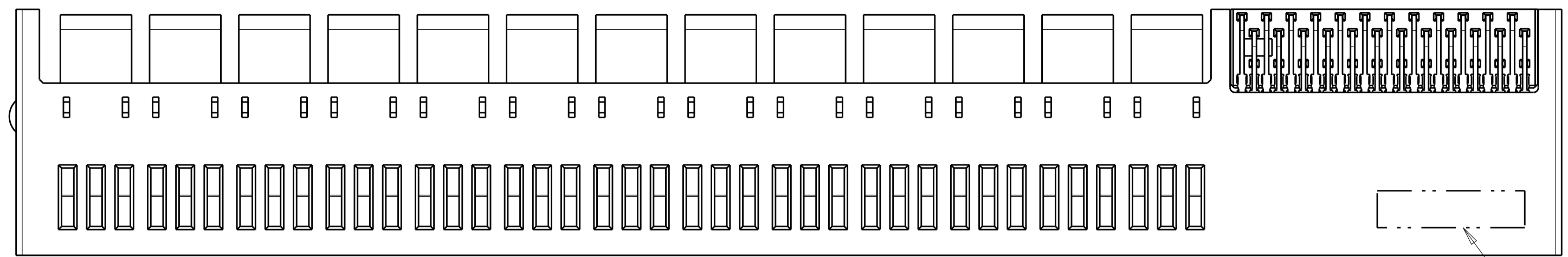
RESTRICTED TO: -

SCALE: 3:1

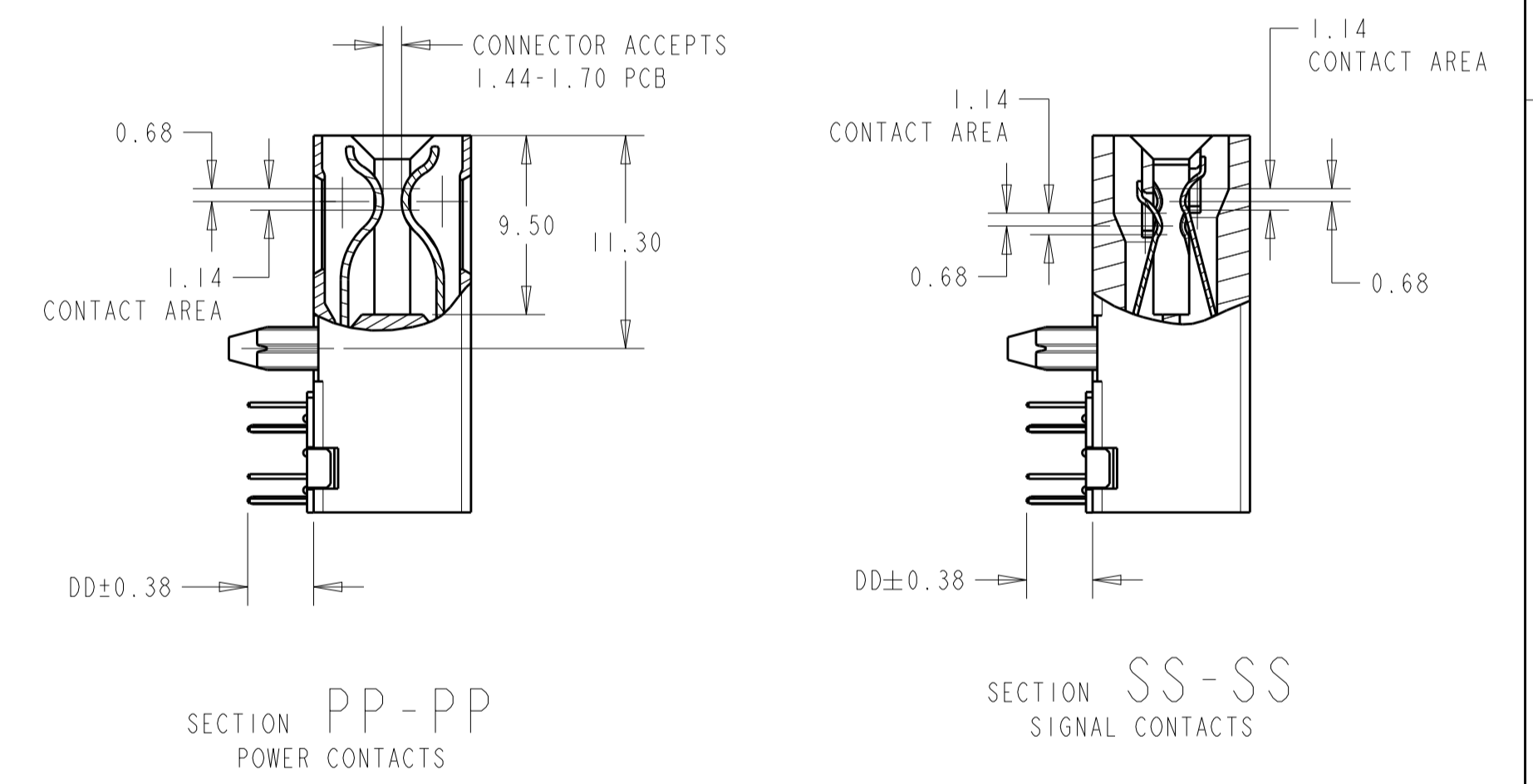
SHEET 1 OF 3

REV: A

LOC		DIST		REVISIONS				
AA	00	P	LTH	DESCRIPTION	DATE	OWN	APVD	
-	-	-	-	SEE SHEET 1	-	-	-	

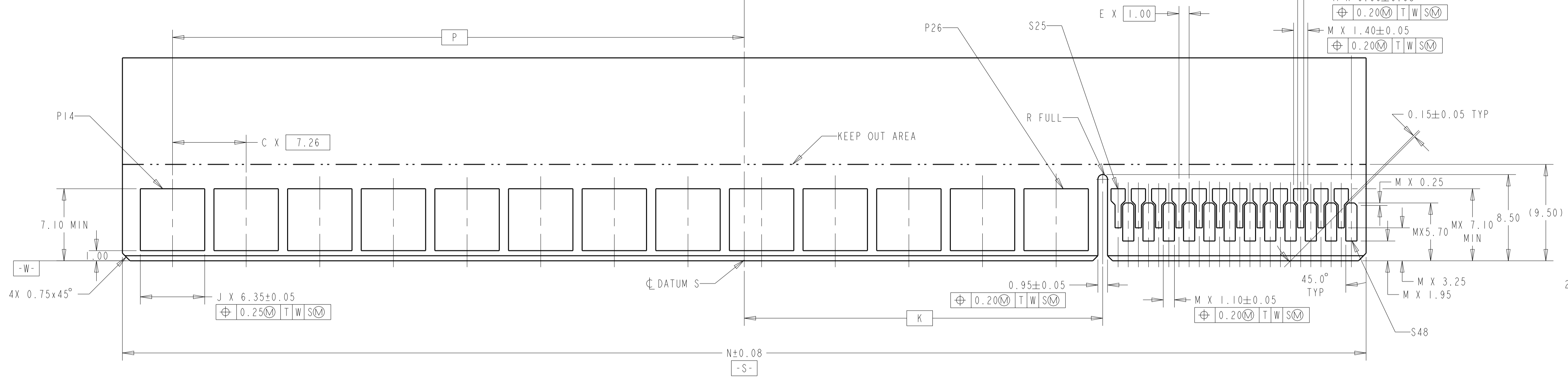


2212115-1
SHOWN

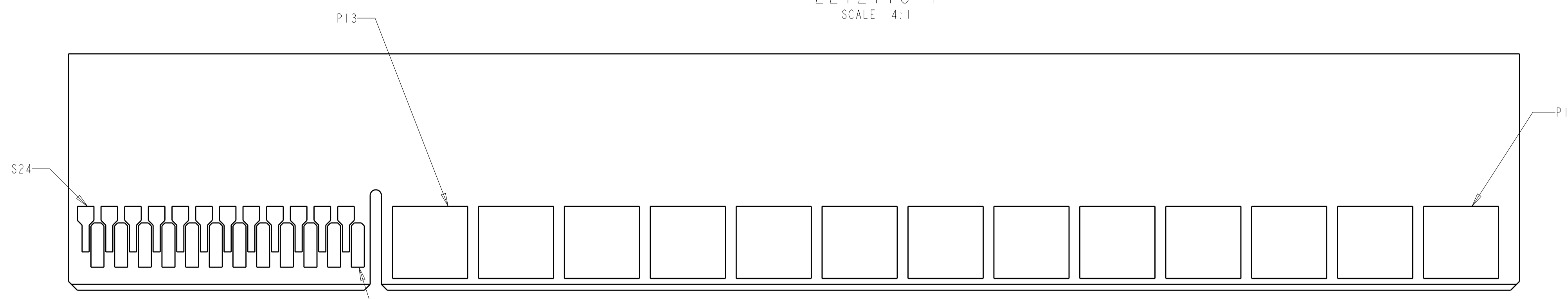


THIS DRAWING IS A CONTROLLED DOCUMENT.		OWN L.A.WENSEL 01MAR2013	TE Connectivity
DIMENSIONS: mm		CHK D.SZCZESNY 01MAR2013	
TOLERANCES UNLESS OTHERWISE SPECIFIED:		APVD S.FLICKINGER 01MAR2013	NAME CONNECTOR ASSEMBLY, MULTI-BEAM CE, POWER/SIGNAL, RIGHT ANGLE, SOLDER MOUNT
0 PLC ±0.5	1 PLC ±0.5	PRODUCT SPEC	SIZE A1
2 PLC ±0.25	3 PLC ±	APPLICATION SPEC	CAGE CODE 00779
4 PLC ±	ANGLES ±	WEIGHT	DRAWING NO. 2212115
MATERIAL SEE NOTE 1	FINISH SEE NOTE 2	CUSTOMER DRAWING	RESTRICTED TO
		SCALE 3:1	SHEET 2 OF 3
		REV A	

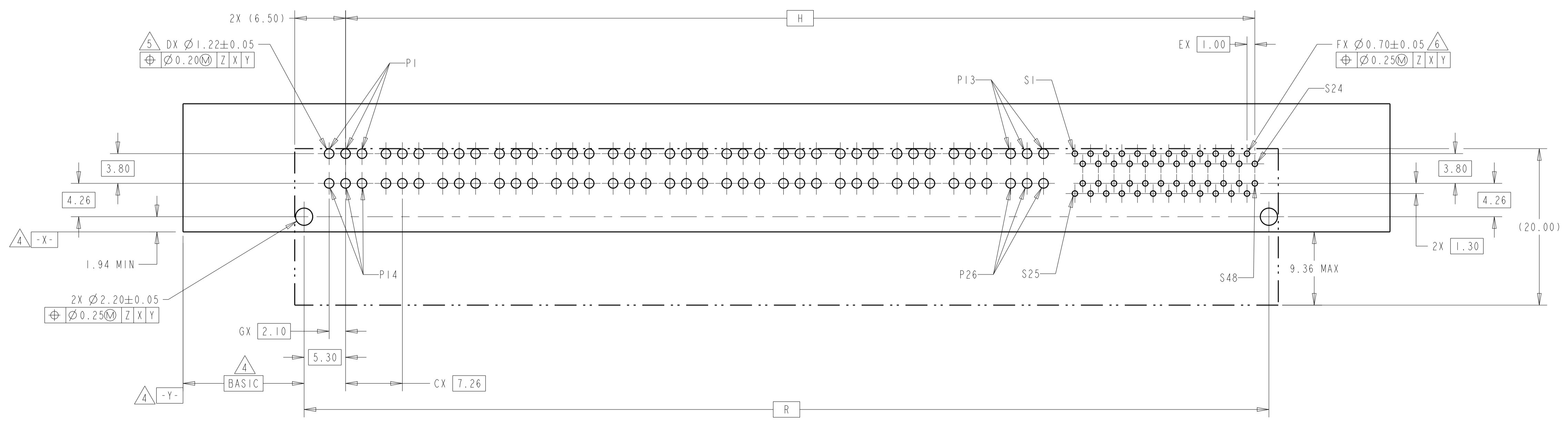
LOC	DIST	REVISIONS		
AA	00	REV	DESCRIPTION	DATE
			SEE SHEET 1	



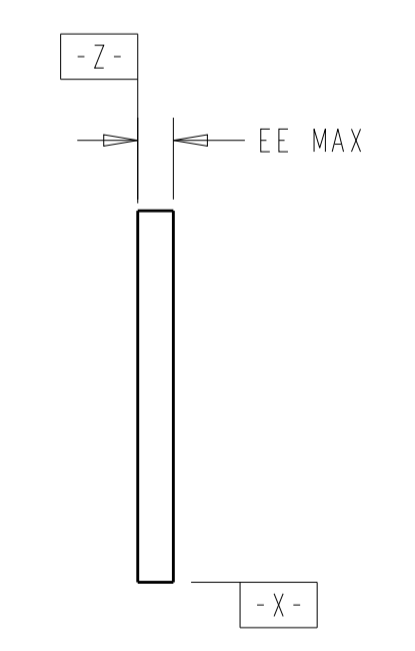
RECOMMENDED MATING BOARD EDGE CONFIGURATION
 (PRIMARY SIDE SHOWN)
 DAUGHTER CARD
 2212115-1
 SCALE 4:1



RECOMMENDED MATING BOARD EDGE CONFIGURATION
 (SECONDARY SIDE SHOWN)



RECOMMENDED PC BOARD HOLE LAYOUT
 COMPONENT SIDE
 2212115-1 LAYOUT
 SCALE 3:1



THIS DRAWING IS A CONTROLLED DOCUMENT.		DWN L.A.WENSEL 01MAR2013	STE TE Connectivity
DIMENSIONS: mm		CHK D.SZCZESNY 01MAR2013	
TOLERANCES UNLESS OTHERWISE SPECIFIED:		APVD S.ELICKINGER 01MAR2013	NAME CONNECTOR ASSEMBLY, MULTI-BEAM CE, POWER/SIGNAL, RIGHT ANGLE, SOLDER MOUNT
0 PLC ±		PRODUCT SPEC	SIZE A1
1 PLC ±0.5		APPLICATION SPEC	CAGE CODE DRAWING NO
2 PLC ±0.25		WEIGHT	00779
3 PLC ±		CUSTOMER DRAWING	SCALE 1:1
4 PLC ±		RESTRICTED TO	SHEET 3 OF 3
ANGLES ±4°		REV A	

X-ON Electronics

Largest Supplier of Electrical and Electronic Components

Click to view similar products for [Power to the Board](#) category:

Click to view products by [TE Connectivity](#) manufacturer:

Other Similar products are found below :

[6450171-4](#) [6450552-7](#) [6600323-8](#) [6643429-1](#) [6646040-2](#) [6651939-1](#) [6766604-1](#) [120959-1](#) [1393557-2](#) [1393532-2](#) [1393532-3](#) [1393532-4](#)
[1393557-1](#) [1600812-5](#) [1-6450861-2](#) [1744132-7](#) [1761122-1](#) [1766250-1](#) [1892109-1](#) [2-6450860-5](#) [2-6450870-0](#) [1-6450161-4](#) [1-6450850-6](#) [1-](#)
[6450869-6](#) [1645526-2](#) [1-6600130-0](#) [2005243-2](#) [377-0020-11130](#) [TE34-12-16P-F0](#) [51700-10201602AALF](#) [5-6450830-6](#) [5646956-4](#) [377-](#)
[0080-11131A](#) [4-6450830-9](#) [4-6600333-3](#) [10125416-4050LF](#) [10130248-005LF](#) [6600320-3](#) [3-6450860-5](#) [1888123-2](#) [6450166-1](#) [6643978-1](#)
[6766605-1](#) [701-15-02109](#) [N11444](#) [6651938-1](#) [6450810-7](#) [46437-1112](#) [1-1589677-8](#) [5646956-5](#)