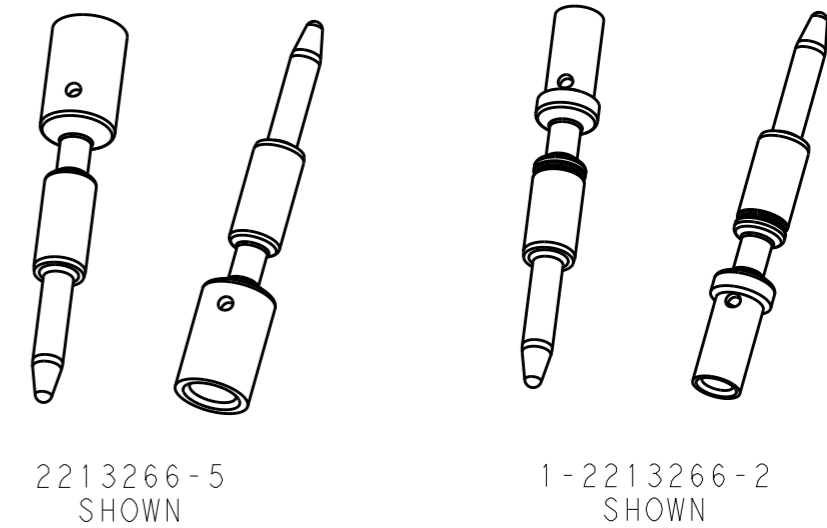
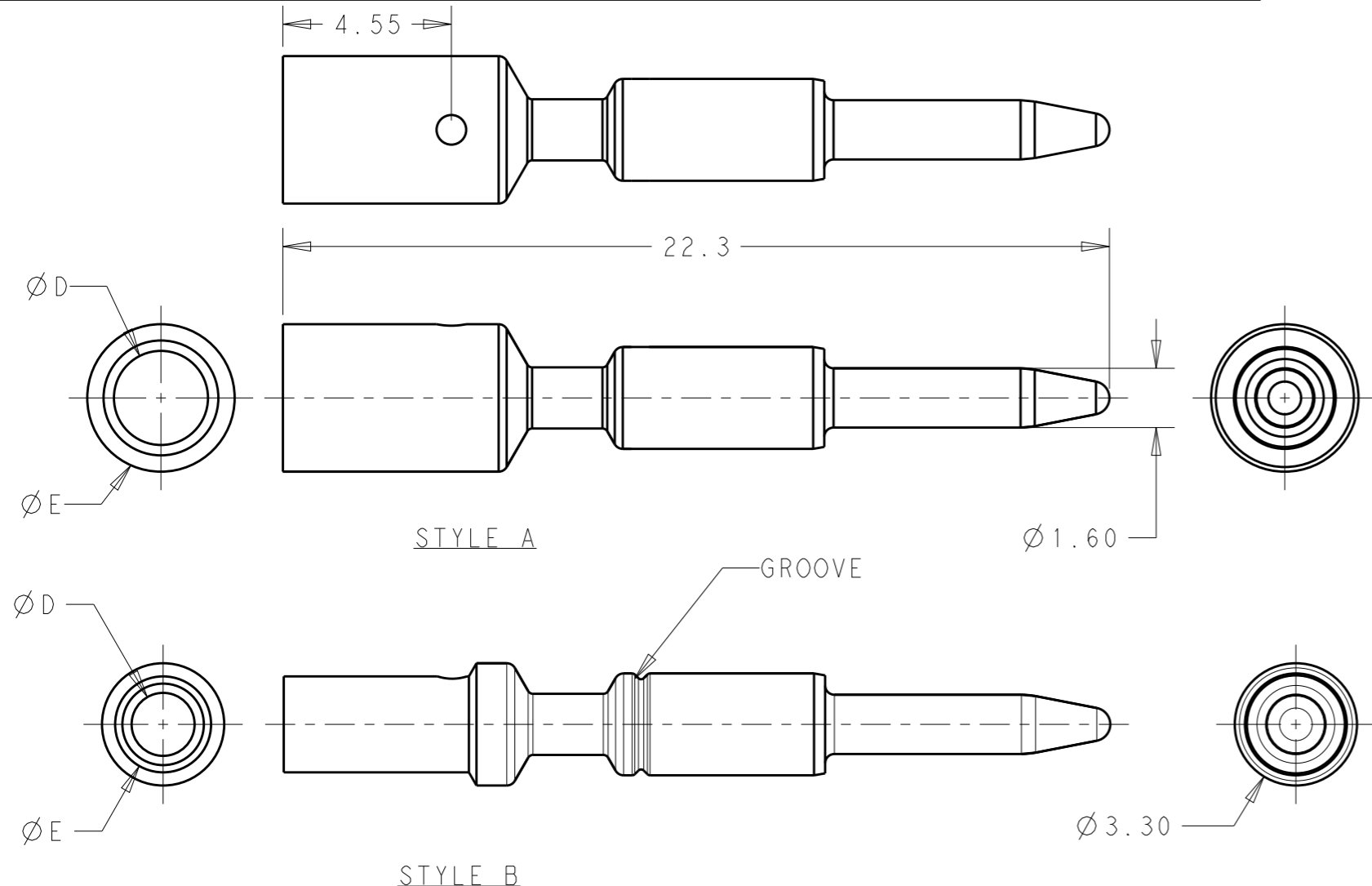


THIS DRAWING IS UNPUBLISHED. RELEASED FOR PUBLICATION 20  
© COPYRIGHT 20 BY - ALL RIGHTS RESERVED.

LOC	DIST	REVISIONS					
		P	LTR	DESCRIPTION	DATE	DWN	APVD
-	-		A	REVISED AS PER ECR-15-005925	21APR2015	RS	JL



- NOTES:
1. MATERIALS AND FINISH:  
COPPER ALLOY, FINISH: Sn OVER Ni
  2. MUST COMPLY WITH DIRECTIVE 2002/95/EC (ROHS)
  3. THIS PRODUCT HAS NOT COMPLETED VALIDATION TESTING

16/18	2.59	1.70	1	B	1-2213266-2
14	3.98	2.54	N/A	A	2213266-5
WIRE (AWG)	DIM. "E"	DIM. "D"	NO OF GROOVES	BARREL STYLE	PART NO

THIS DRAWING IS A CONTROLLED DOCUMENT.		DWN RAVI.S 29MAY2013	<b>STE</b> TE Connectivity		
DIMENSIONS: mm		CHK C GINGRICH 29MAY2013			
TOLERANCES UNLESS OTHERWISE SPECIFIED:		APVD C GINGRICH 29MAY2013	NAME MACHINED PIN CONTACT NECTOR M-LINE		
0 PLC ± 1 PLC ±0.3 2 PLC ±0.15 3 PLC ± 4 PLC ± ANGLES ±		PRODUCT SPEC 108-133014	SIZE A3		
MATERIAL NOTE 1		APPLICATION SPEC 114-32111	CAGE CODE 00779	DRAWING NO C-2213266	RESTRICTED TO -
FINISH NOTE 1		WEIGHT -	SCALE 3:1 SHEET 1 OF 1 REV A		
Customer Drawing					

## X-ON Electronics

Largest Supplier of Electrical and Electronic Components

*Click to view similar products for [Lighting Connectors](#) category:*

*Click to view products by [TE Connectivity](#) manufacturer:*

Other Similar products are found below :

[293300-7](#) [293660-5](#) [CNX\\_H03\\_NTP](#) [30-9767-BU](#) [3605](#) [3-21030-1](#) [ZCH-110-RGB-I](#) [503471-0290](#) [ZCH-110-RGB-J](#) [217-0716-200](#)  
[1954563-1](#) [1-293657-2](#) [2834036-1](#) [2834037-1](#) [1-2213222-4](#) [2-2213222-4](#) [2213222-4](#) [2834122-3](#) [2834122-5](#) [2834135-2](#) [FLA-R4142-30](#)  
[FLA-R4162-30](#) [FLA-R2142-30](#) [FLA-R2141-30](#) [FLA-R2162-30](#) [FLA-R2161-30](#) [FLA-R0161-30](#) [FLA-R0141-30](#) [FLA-R0142-30](#) [FLA-](#)  
[R0162-30](#) [FLA-C00-00](#) [DGA00010553](#) [CNXV04NTP](#) [104128-0610](#) [503485-0000 \(Cut Strip\)](#) [503485-0000 \(Loose Piece\)](#) [503485-0000](#)  
[\(MINI Reel\)](#) [1-2834074-2](#) [1-2834074-3](#) [1357-AC PLUG W2C \(CHINA\)](#) [1357-AC PLUG W2 \(USA\)](#) [104266-0110](#) [CNXV02NTP](#) [2106212-1](#)  
[2-2834074-2](#) [104266-0210](#) [293470-1](#) [293651-2](#) [293651-4](#) [1-2834006-2](#)