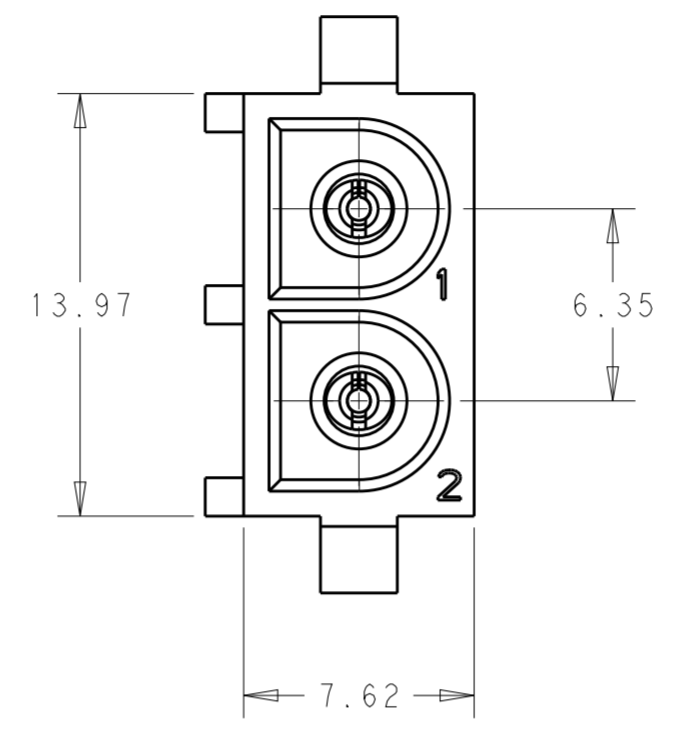
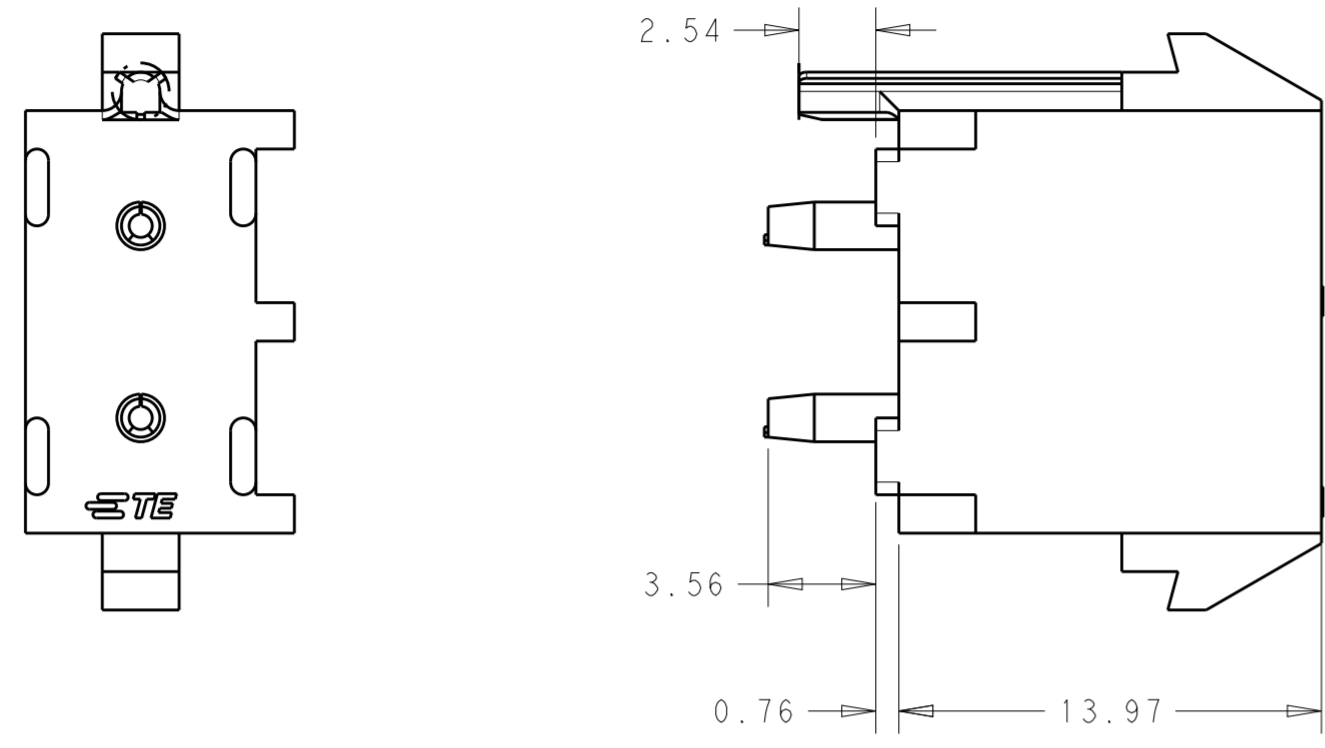


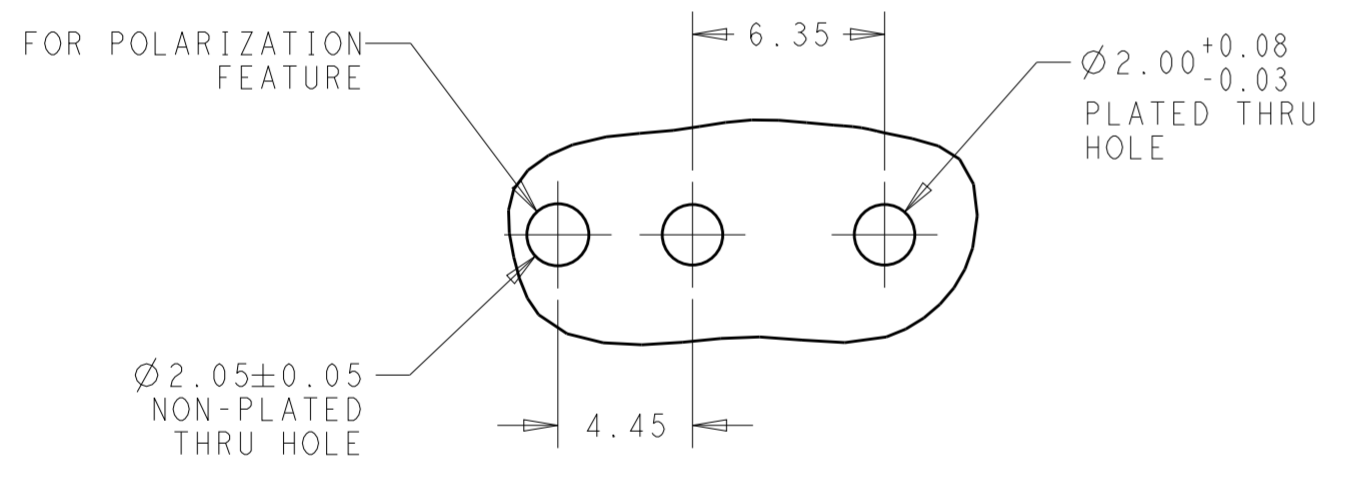
THIS DRAWING IS UNPUBLISHED. RELEASED FOR PUBLICATION 20  
 © COPYRIGHT 20 BY - ALL RIGHTS RESERVED.

REVISIONS				
P	LTR	DESCRIPTION	DATE	APVD
	A	RELEASED FOR PRODUCTION	10NOV2017	RK JL

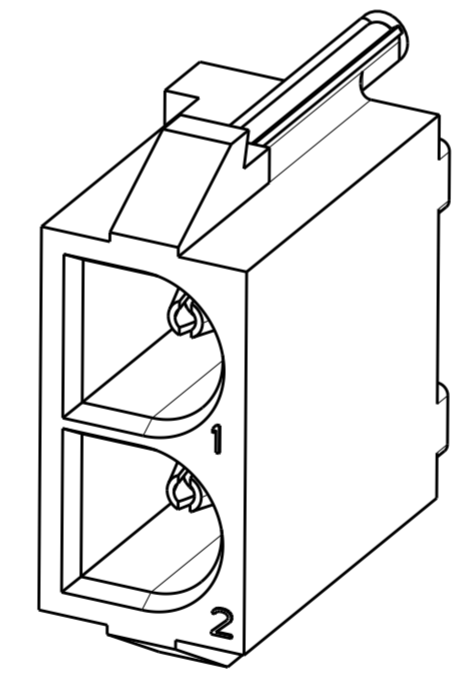


NOTES:

- PARTS COMPLY TO TE SOLDERABILITY SPEC 109-11-3.
- MATERIALS:
  - HOUSING: GF-LCP  
COLOR: SEE TABLE
  - CONTACT: PHOSPHOR BRONZE  
PLATING: TIN.



RECOMMENDED MOUNTING HOLE PATTERN  
 FOR 1.57 THICK PC BOARD  
 SCALE 4:1



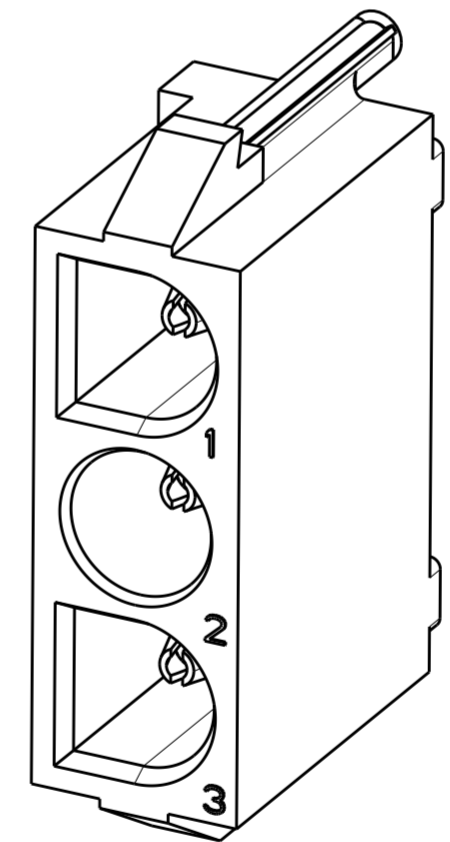
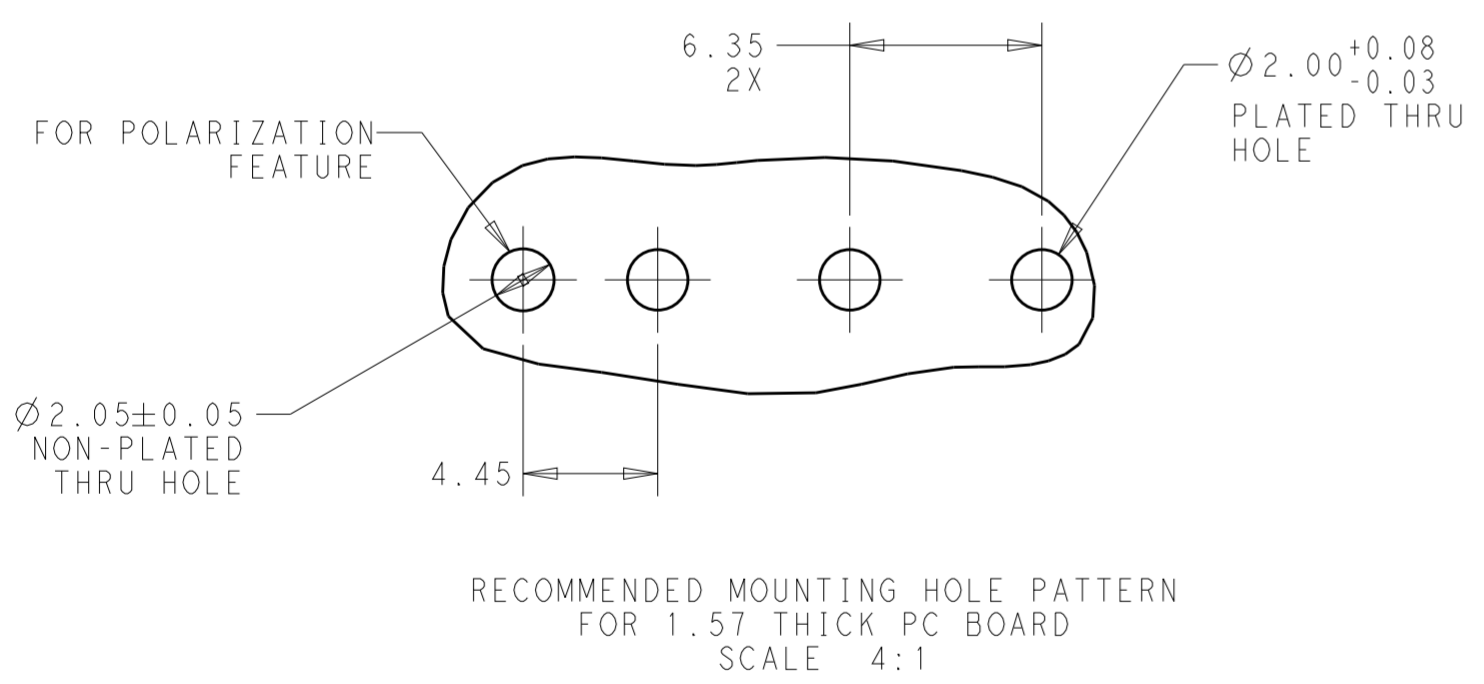
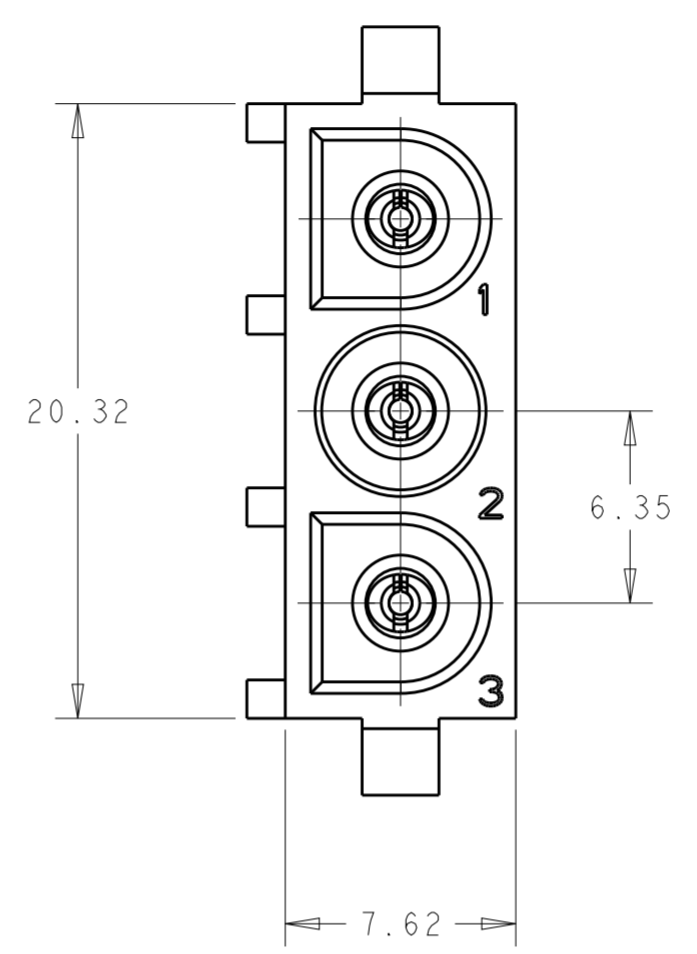
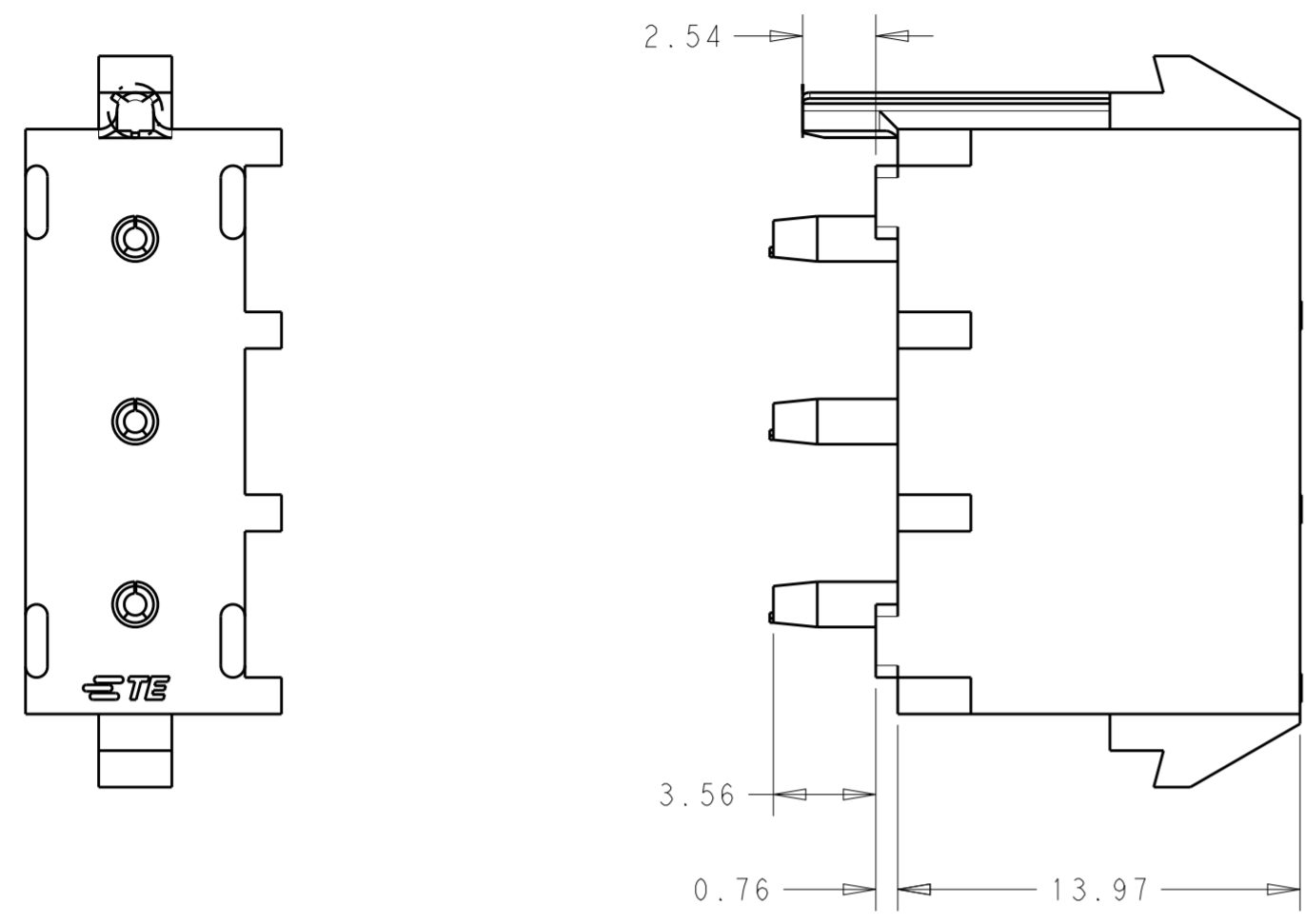
2213752-1, 1-2213752-1  
 SHOWN

COLOR	POSITION	PART NO.
BLACK	6 POS UMNL HEADER HOUSING POLARIZED	1-2213752-5
BLACK	5 POS UMNL HEADER HOUSING POLARIZED	1-2213752-4
BLACK	4 POS UMNL HEADER HOUSING POLARIZED	1-2213752-3
BLACK	3 POS UMNL HEADER HOUSING POLARIZED	1-2213752-2
BLACK	2 POS UMNL HEADER HOUSING POLARIZED	1-2213752-1
NATURAL	6 POS UMNL HEADER HOUSING POLARIZED	2213752-5
NATURAL	5 POS UMNL HEADER HOUSING POLARIZED	2213752-4
NATURAL	4 POS UMNL HEADER HOUSING POLARIZED	2213752-3
NATURAL	3 POS UMNL HEADER HOUSING POLARIZED	2213752-2
NATURAL	2 POS UMNL HEADER HOUSING POLARIZED	2213752-1


THIS DRAWING IS A CONTROLLED DOCUMENT.		DWN J. SHAFFER 30OCT2015	TE Connectivity	
DIMENSIONS: mm		CHK M. MOSTOLLER 30OCT2015		
TOLERANCES UNLESS OTHERWISE SPECIFIED:		APVD M. MOSTOLLER 30OCT2015	NAME PIN HEADER ASSEMBLY POLARIZED, UMNL, HIGH TEMPERATURE	
0 PLC ± 1 PLC ±0.5 2 PLC ±0.13 3 PLC ± 4 PLC ± ANGLES ± FINISH ±		PRODUCT SPEC 108-1053	SIZE A2	
MATERIAL		APPLICATION SPEC 114-133083	CAGE CODE -	DRAWING NO. C-2213752
		WEIGHT -	RESTRICTED TO -	
		CUSTOMER DRAWING	SCALE 2:1	SHEET 1 OF 5
			REV A	

THIS DRAWING IS UNPUBLISHED. RELEASED FOR PUBLICATION 20  
 © COPYRIGHT 20 BY - ALL RIGHTS RESERVED.

REVISIONS				
P	LTR	DESCRIPTION	DATE	APVD
		SEE SHEET 1		

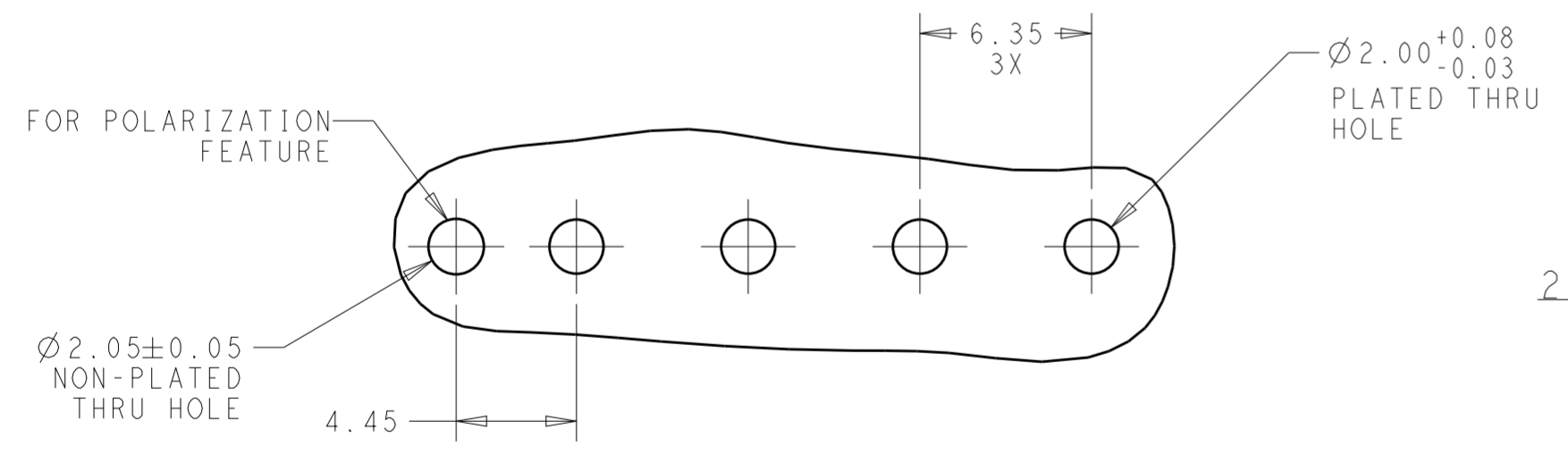
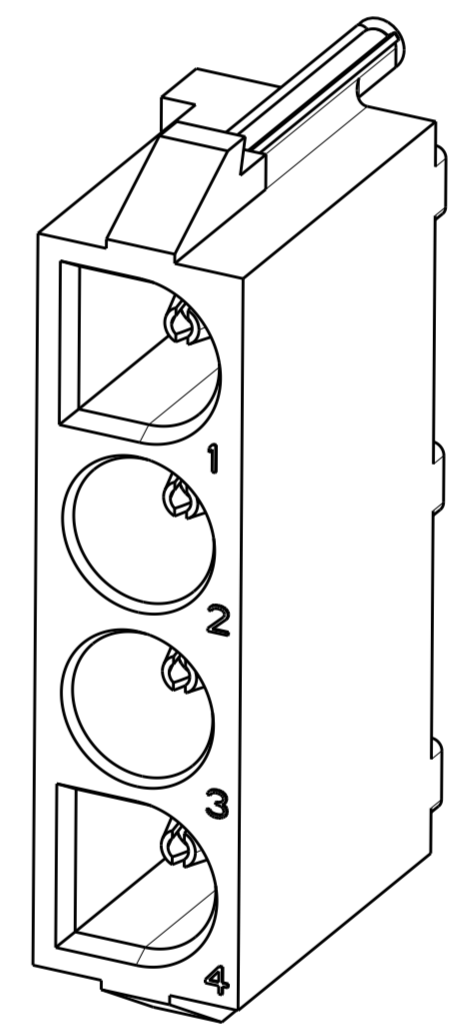
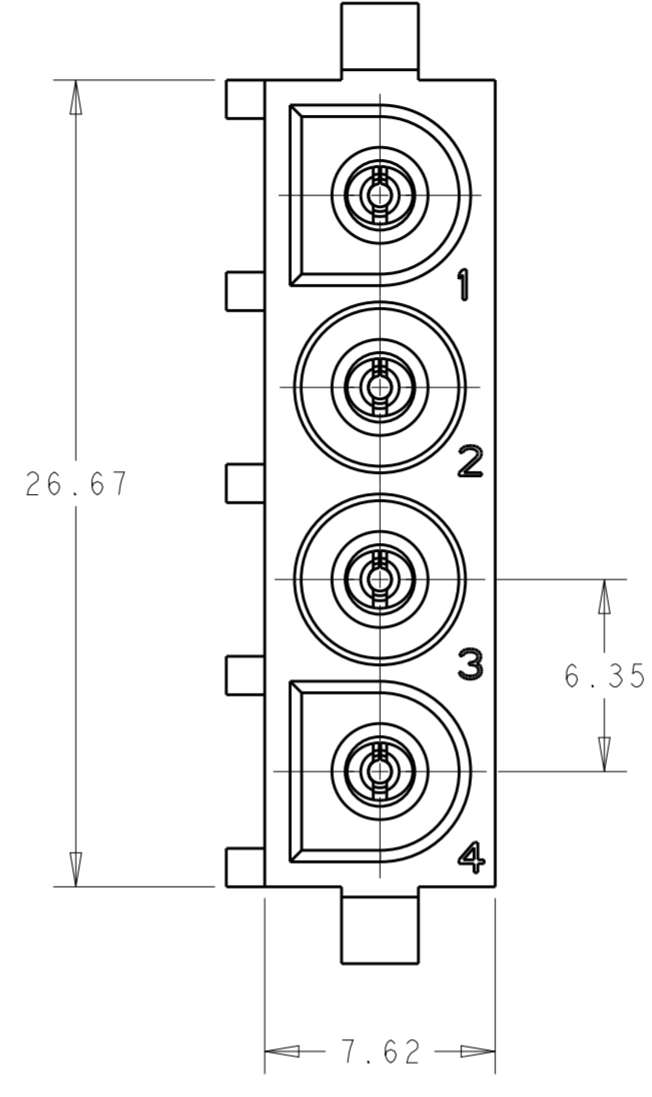
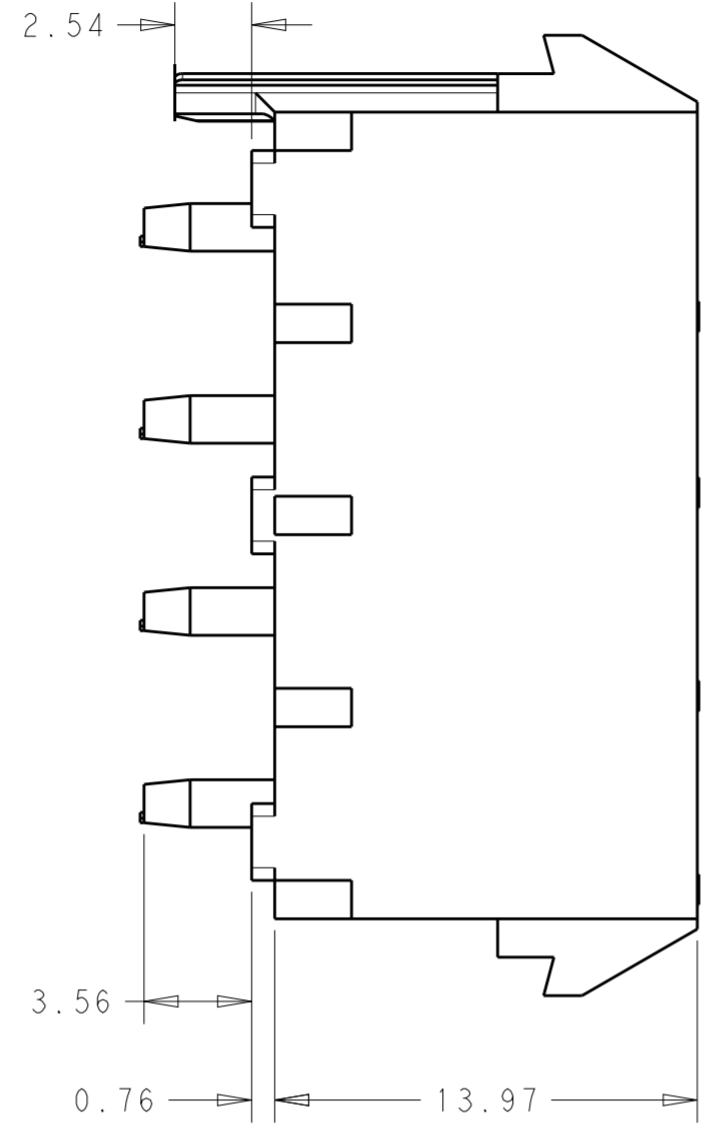
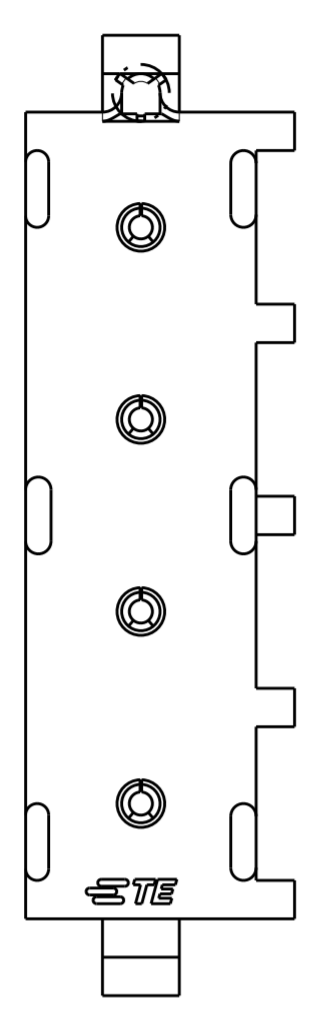


2213752-2, 1-2213752-2  
 SHOWN

THIS DRAWING IS A CONTROLLED DOCUMENT.		DWN J. SHAFFER 30OCT2015	 TE Connectivity	
DIMENSIONS: mm		CHK M. MOSTOLLER 30OCT2015		
TOLERANCES UNLESS OTHERWISE SPECIFIED:		APVD M. MOSTOLLER 30OCT2015	NAME PIN HEADER ASSEMBLY POLARIZED, UMNL, HIGH TEMPERATURE	
0 PLC ± 1 PLC ±0.5 2 PLC ±0.13 3 PLC ± 4 PLC ± ANGLES ± FINISH ±		PRODUCT SPEC 108-1053	RESTRICTED TO	
MATERIAL		APPLICATION SPEC 114-133083	SIZE A2	CAGE CODE -
		WEIGHT -	DRAWING NO C-2213752	
		CUSTOMER DRAWING	SCALE 2:1	SHEET 2 OF 5
			REV A	

THIS DRAWING IS UNPUBLISHED. RELEASED FOR PUBLICATION 20  
 © COPYRIGHT 20 BY - ALL RIGHTS RESERVED.

REVISIONS				
P	LTR	DESCRIPTION	DATE	APVD
		SEE SHEET 1		



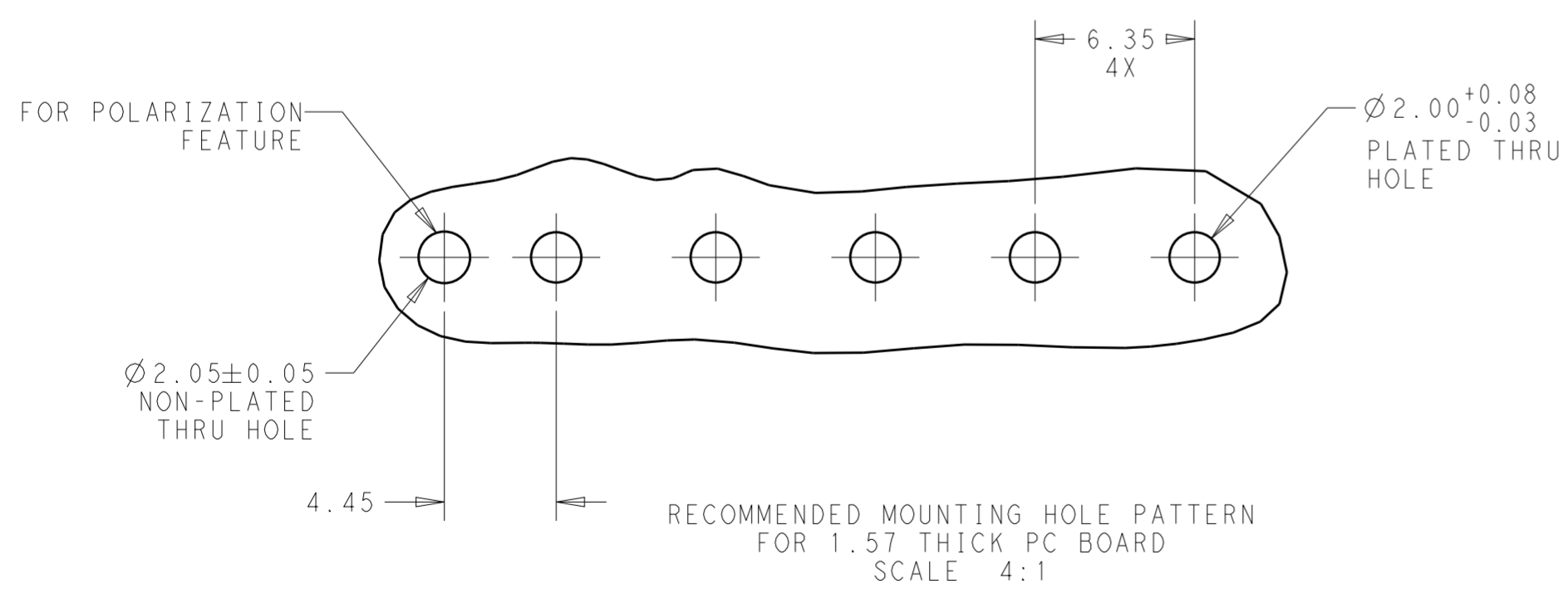
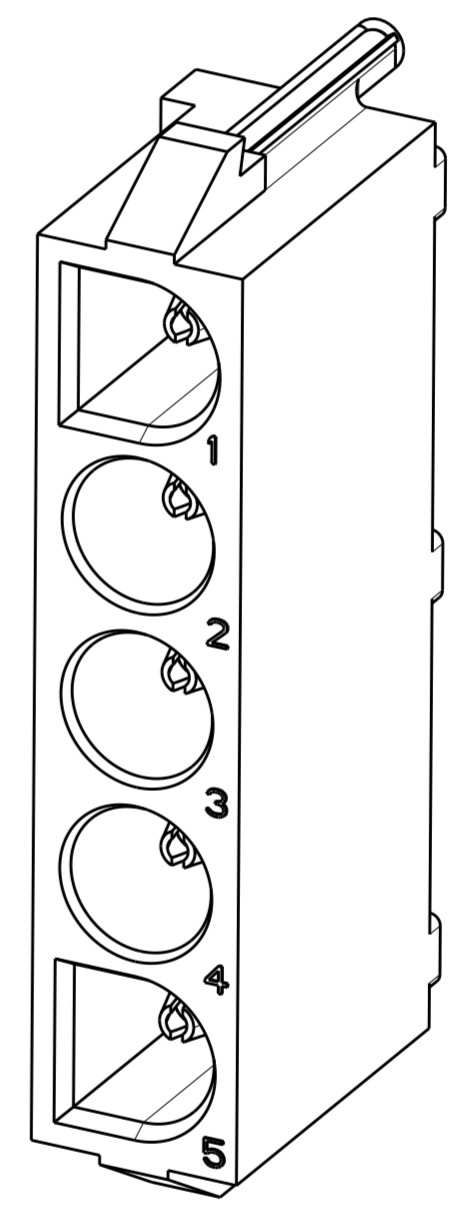
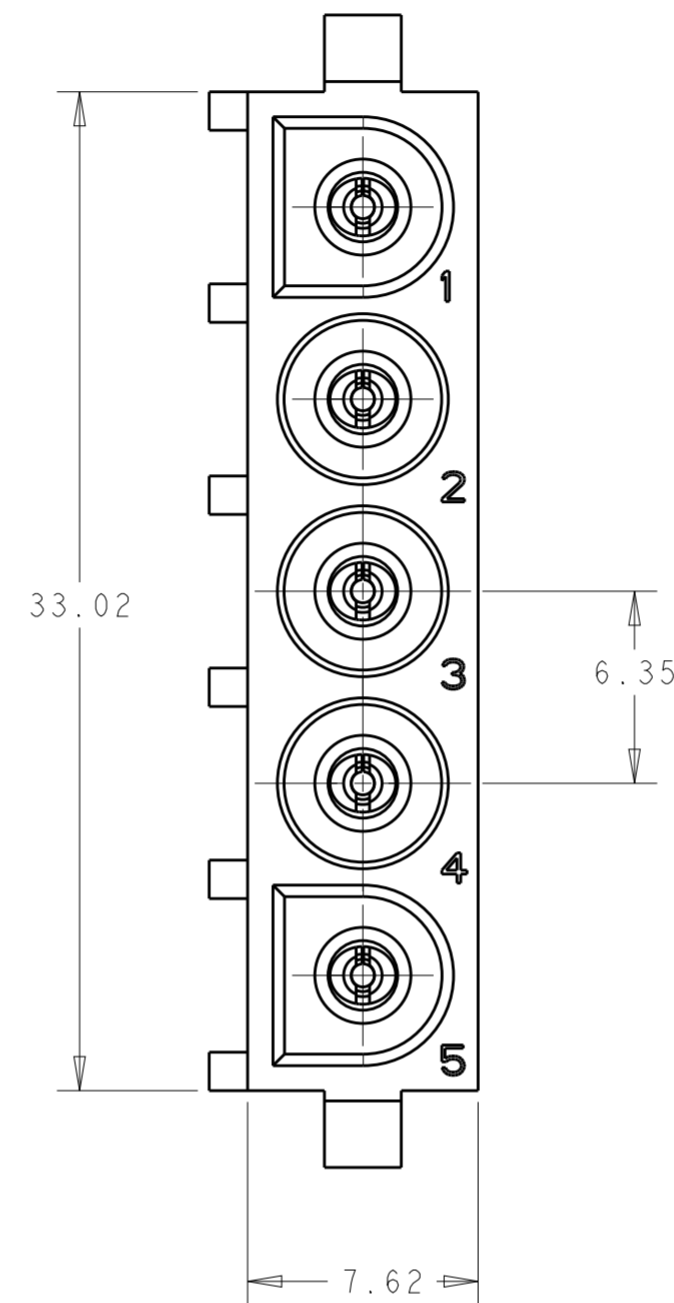
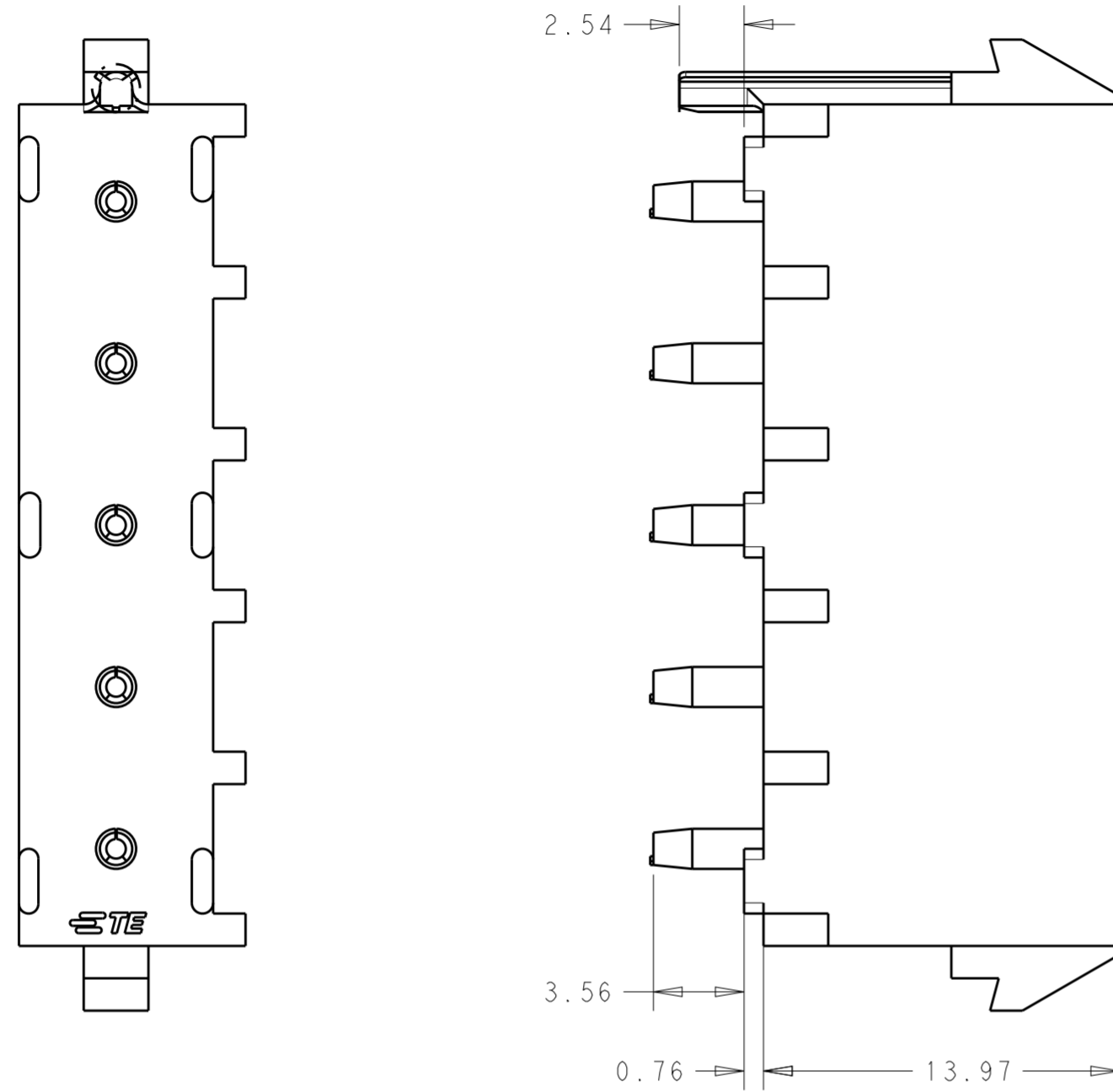
RECOMMENDED MOUNTING HOLE PATTERN FOR 1.57 THICK PC BOARD SCALE 4:1

2213752-3, 1-2213752-3 SHOWN

THIS DRAWING IS A CONTROLLED DOCUMENT.		DWN J. SHAFFER 30OCT2015	TE Connectivity	
DIMENSIONS: mm		CHK M. MOSTOLLER 30OCT2015		
TOLERANCES UNLESS OTHERWISE SPECIFIED:		APVD M. MOSTOLLER 30OCT2015	NAME PIN HEADER ASSEMBLY POLARIZED, UMNL, HIGH TEMPERATURE	
0 PLC ± 1 PLC ±0.5 2 PLC ±0.13 3 PLC ± 4 PLC ± ANGLES ± FINISH ±		PRODUCT SPEC 108-1053	RESTRICTED TO	
MATERIAL -		APPLICATION SPEC 114-133083	SIZE A2	CAGE CODE -
		WEIGHT -	DRAWING NO. C-2213752	
		CUSTOMER DRAWING	SCALE 2:1	SHEET 3 OF 5 REV A

THIS DRAWING IS UNPUBLISHED. RELEASED FOR PUBLICATION 20  
 © COPYRIGHT 20 BY - ALL RIGHTS RESERVED.

REVISIONS				
P	LTR	DESCRIPTION	DATE	APVD
		SEE SHEET 1		

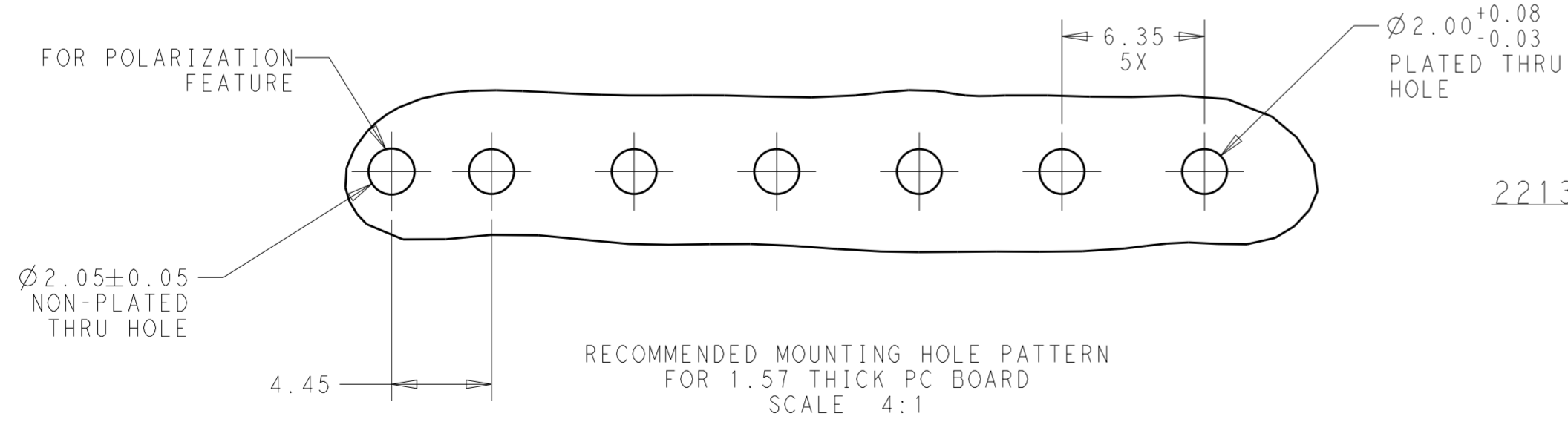
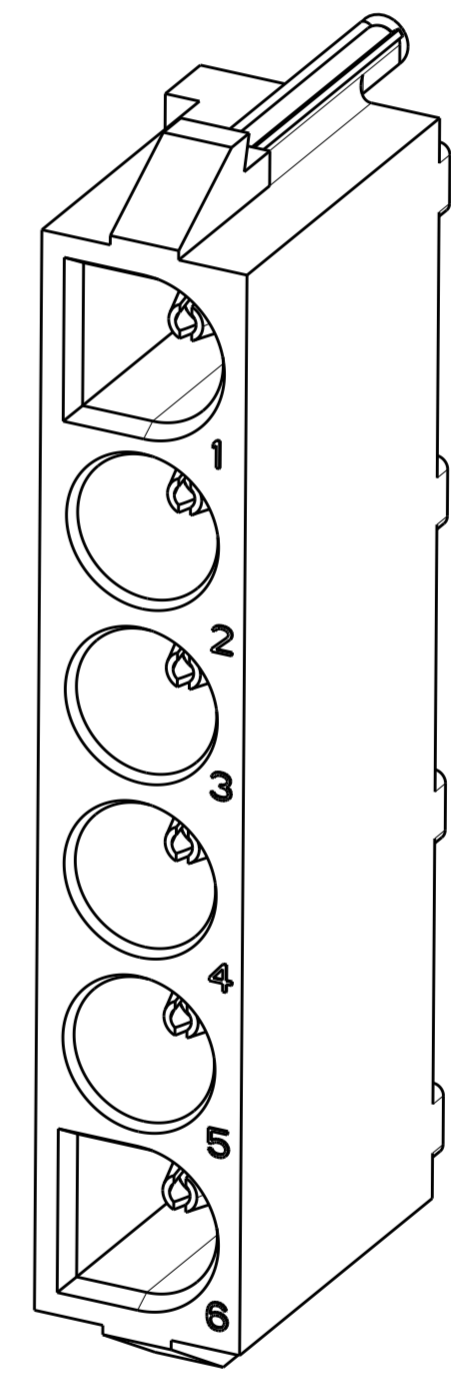
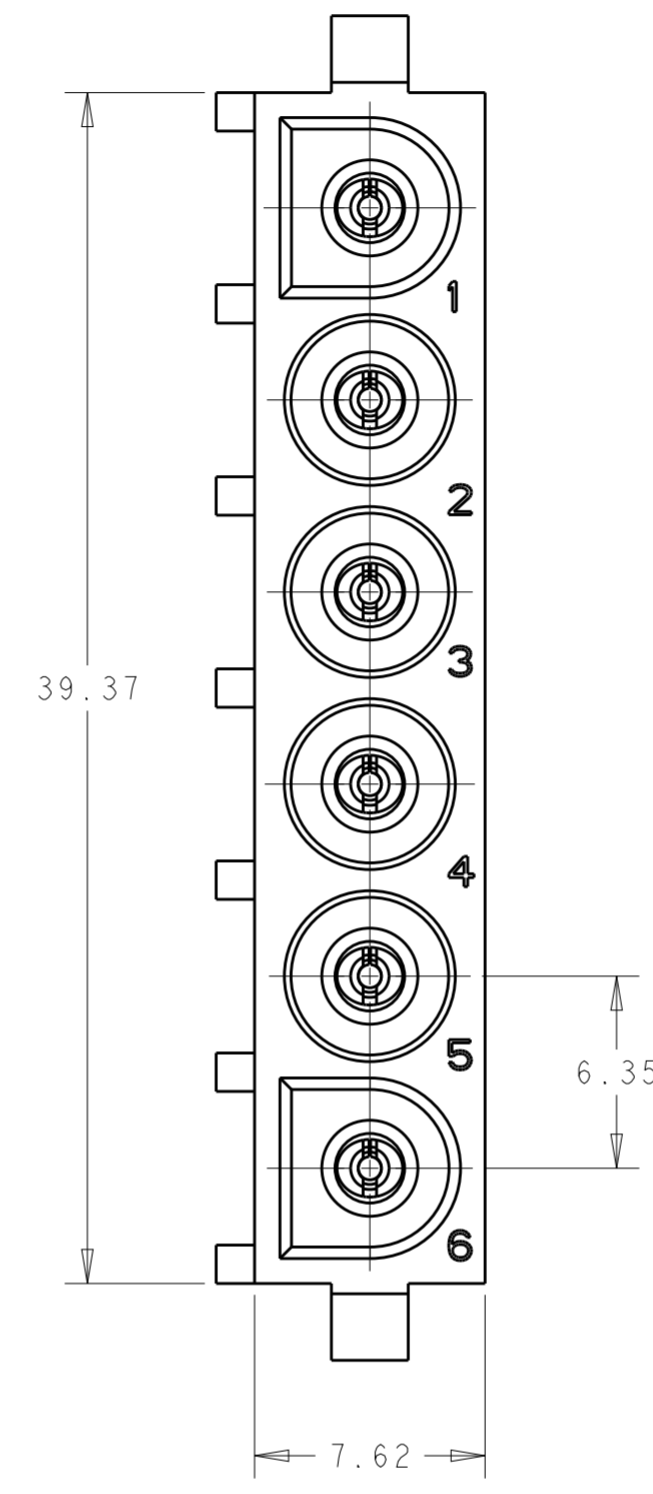
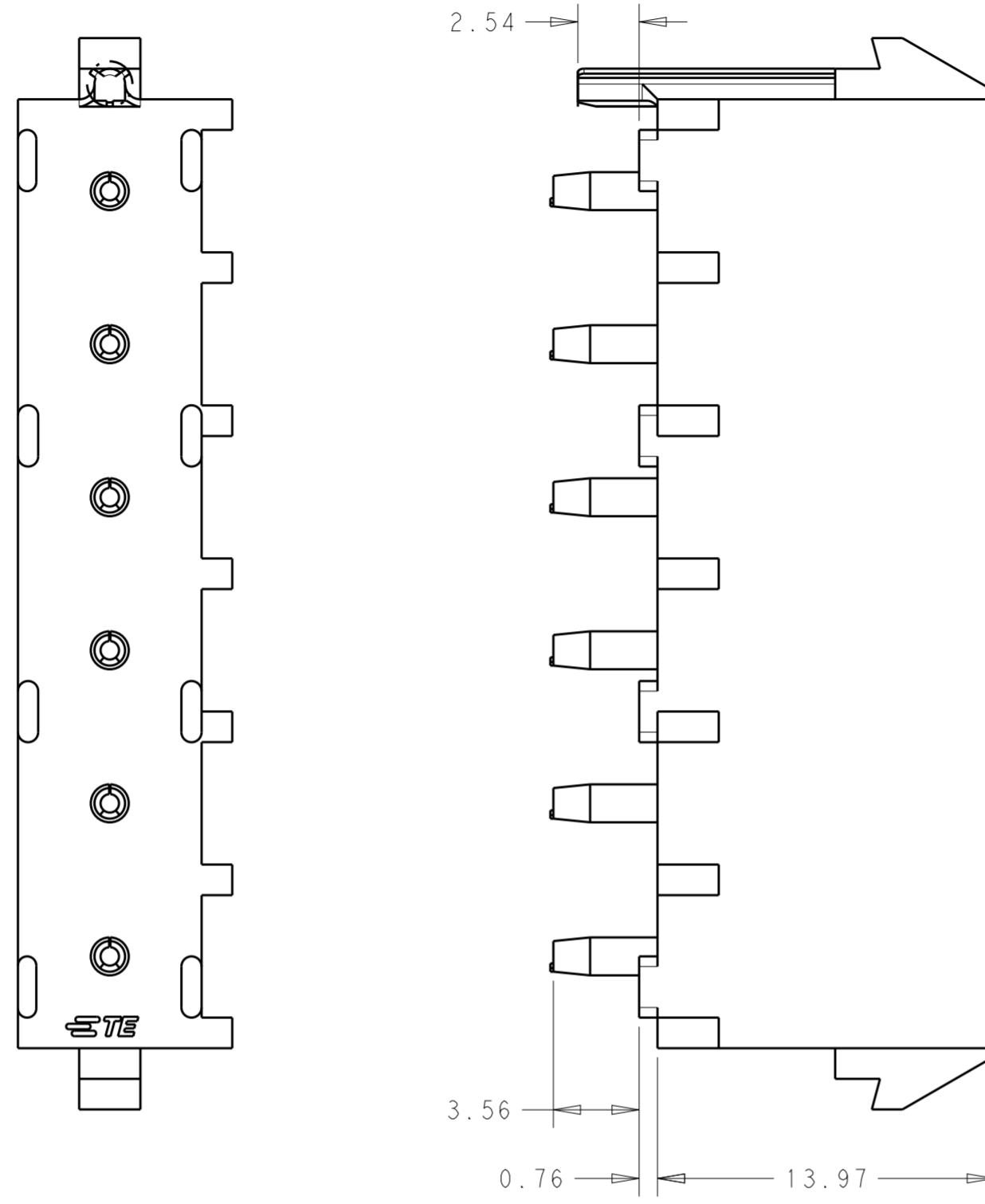


2213752-4, 1-2213752-4  
 SHOWN

THIS DRAWING IS A CONTROLLED DOCUMENT.		DWN J. SHAFFER 30OCT2015	TE Connectivity	
DIMENSIONS: mm		CHK M. MOSTOLLER 30OCT2015		
TOLERANCES UNLESS OTHERWISE SPECIFIED:		APVD M. MOSTOLLER 30OCT2015	NAME PIN HEADER ASSEMBLY POLARIZED, UMNL, HIGH TEMPERATURE	
0 PLC ±	1 PLC ±0.5	PRODUCT SPEC 108-1053	SIZE A2	CAGE CODE -
2 PLC ±0.13	3 PLC ±	APPLICATION SPEC 114-133083	DRAWING NO C-2213752	RESTRICTED TO -
4 PLC ±	ANGLES ±	WEIGHT -	SCALE 2:1 SHEET 4 OF 5 REV A	
MATERIAL -	FINISH -	CUSTOMER DRAWING		

THIS DRAWING IS UNPUBLISHED. RELEASED FOR PUBLICATION 20  
 © COPYRIGHT 20 BY - ALL RIGHTS RESERVED.

REVISIONS				
P	LTR	DESCRIPTION	DATE	APVD
		SEE SHEET 1		



2213752-5, 1-2213752-5  
 SHOWN

THIS DRAWING IS A CONTROLLED DOCUMENT.		DWN J. SHAFFER 30OCT2015	TE Connectivity	
DIMENSIONS: mm		CHK M. MOSTOLLER 30OCT2015		
TOLERANCES UNLESS OTHERWISE SPECIFIED:		APVD M. MOSTOLLER 30OCT2015	NAME PIN HEADER ASSEMBLY POLARIZED, UMNL, HIGH TEMPERATURE	
0 PLC ± 1 PLC ±0.5 2 PLC ±0.13 3 PLC ± 4 PLC ± ANGLES ± FINISH ±		PRODUCT SPEC 108-1053	RESTRICTED TO	
MATERIAL		APPLICATION SPEC 114-133083	SIZE A2	CAGE CODE -
		WEIGHT -	DRAWING NO. G-2213752	SCALE 2:1
		CUSTOMER DRAWING	SHEET 5 OF 5	REV A

## X-ON Electronics

Largest Supplier of Electrical and Electronic Components

*Click to view similar products for [Headers & Wire Housings](#) category:*

*Click to view products by [TE Connectivity](#) manufacturer:*

Other Similar products are found below :

[892-18-020-10-001101](#) [58102-G61-06LF](#) [582553-1](#) [0009485154](#) [009176003701906](#) [0050291907](#) [LY20-4P-DT1-P1E-BR](#) [02.125.8002.8](#)  
[609-3404](#) [61062-3](#) [61082-181009](#) [622-3653LF](#) [63453-116](#) [636-1030](#) [636-1427](#) [636-3427](#) [636-4007](#) [641938-9](#) [641991-4](#) [644827-2](#) [65817-010LF](#) [65817-015LF](#) [65863-015LF](#) [66207-023LF](#) [67095-007LF](#) [67601157](#) [68645-018](#) [68648-049](#) [70.362.1628.0](#) [70-4210](#) [70-4226B](#) [70-4853B](#) [707-5020](#) [707-5028](#) [71.350.2428.0](#) [71918-208LF](#) [71961-016LF](#) [733-134](#) [733-162](#) [754199-000](#) [760-3052](#) [787-8014-00](#) [79531-3000](#)  
[FCN-360C032-B](#) [FCN-367T-T012/H](#) [FCN-723D010/2](#) [80.063.4001.1](#) [800-90-001-10-001000](#) [800-90-010-10-002000](#) [801-43-002-10-013000](#)