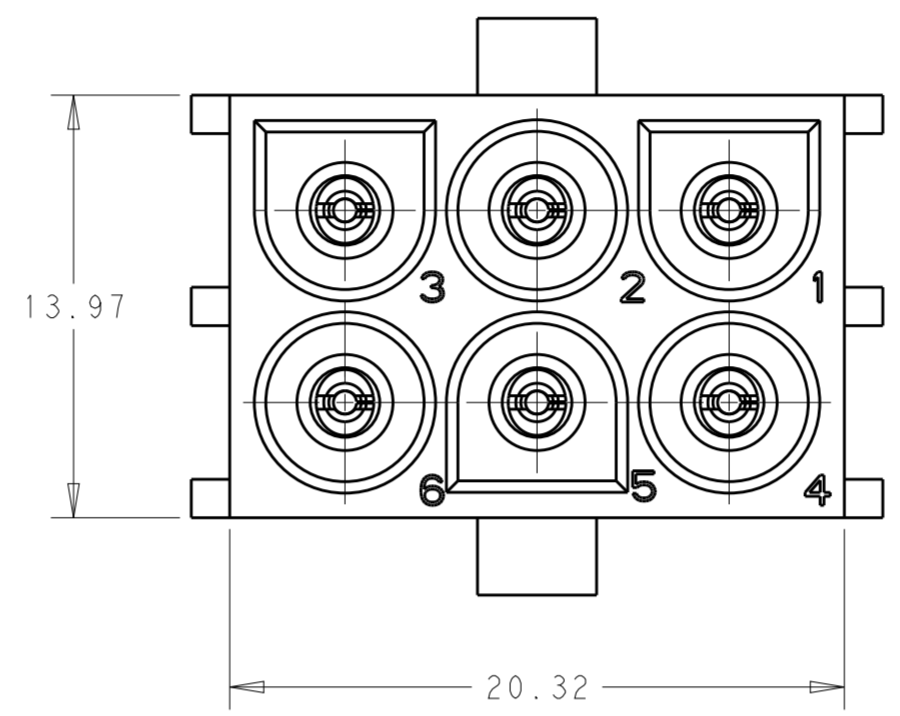
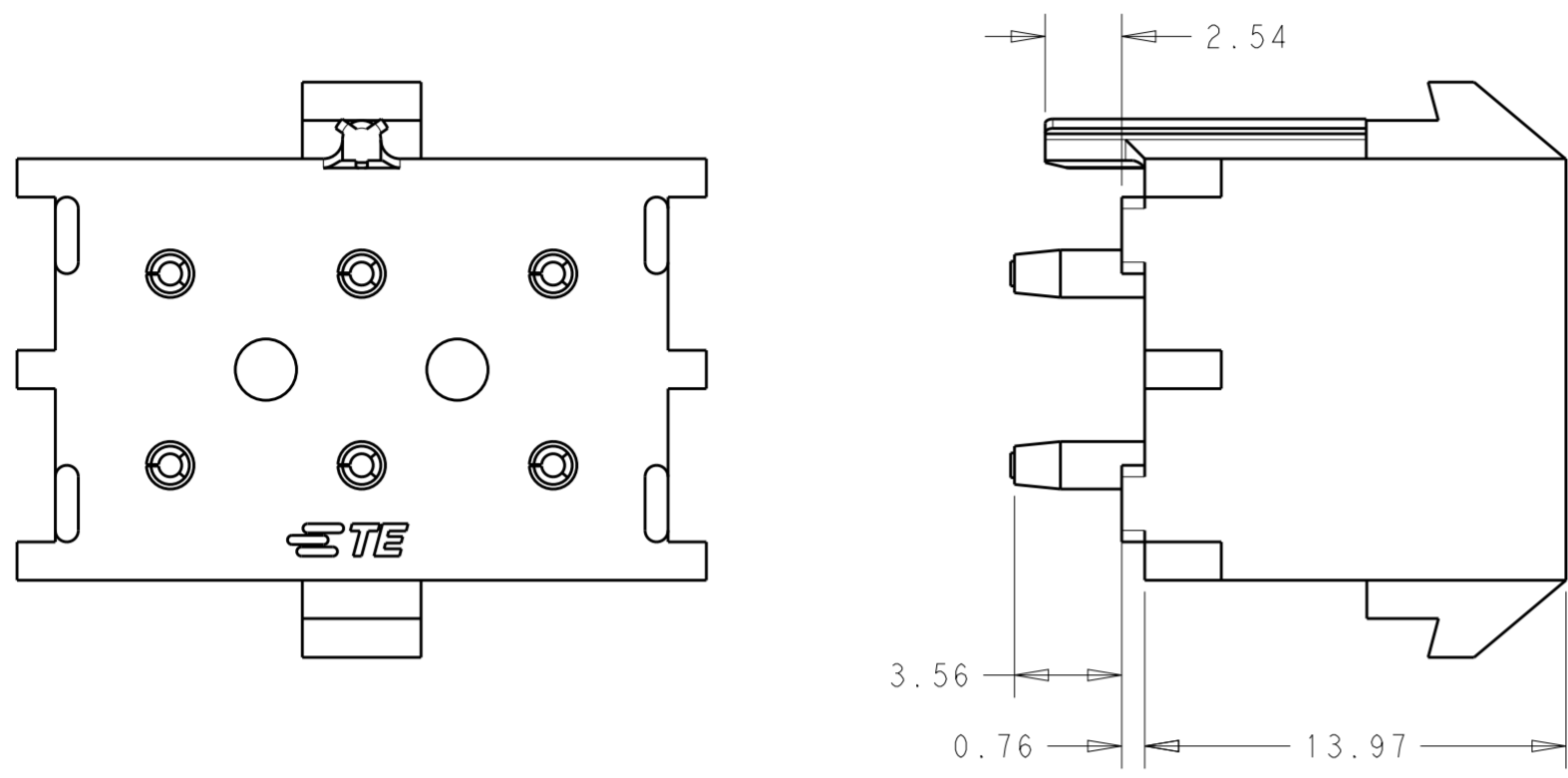


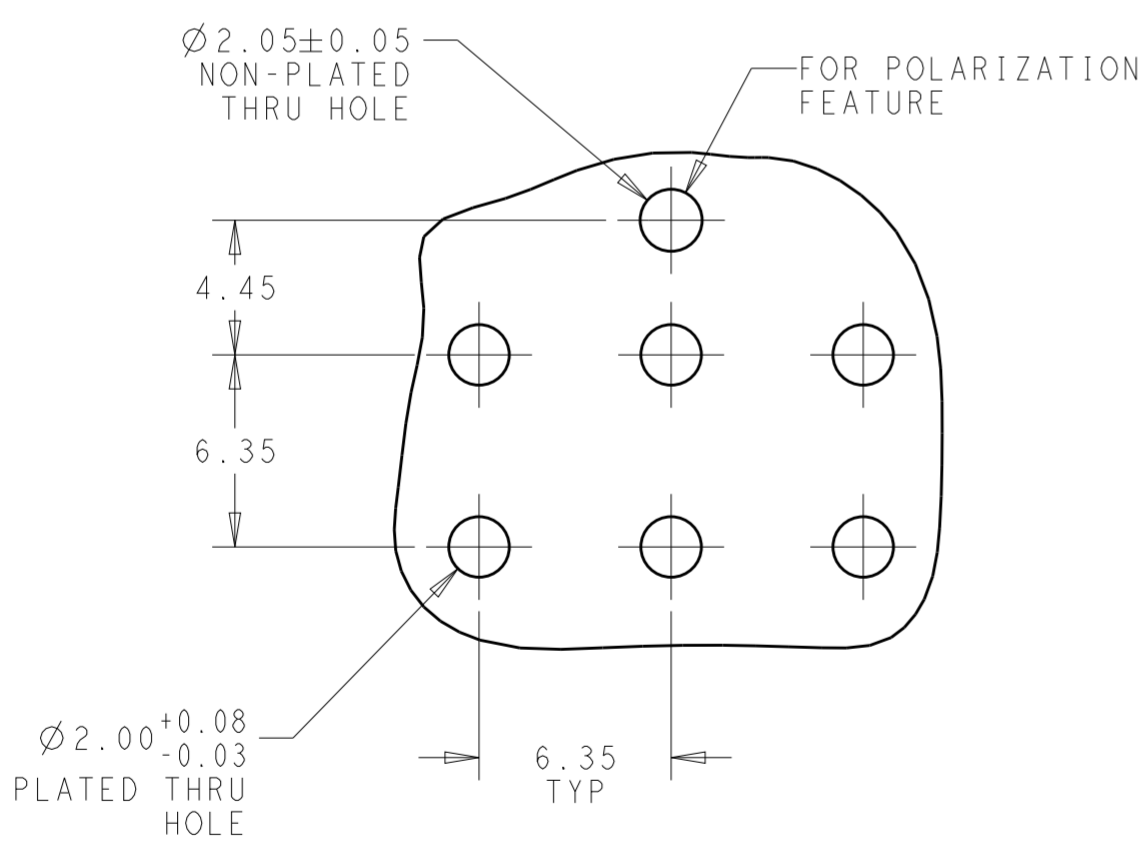
THIS DRAWING IS UNPUBLISHED. RELEASED FOR PUBLICATION 20
 © COPYRIGHT 20 BY - ALL RIGHTS RESERVED.

REVISIONS					
P	LTR	DESCRIPTION	DATE	DWN	APVD
	A	REVISED PER ECR-17-014561	10OCT2017	RK	JL
	A1	REVISED PER ECR-17-015644	25OCT2017	RK	JL

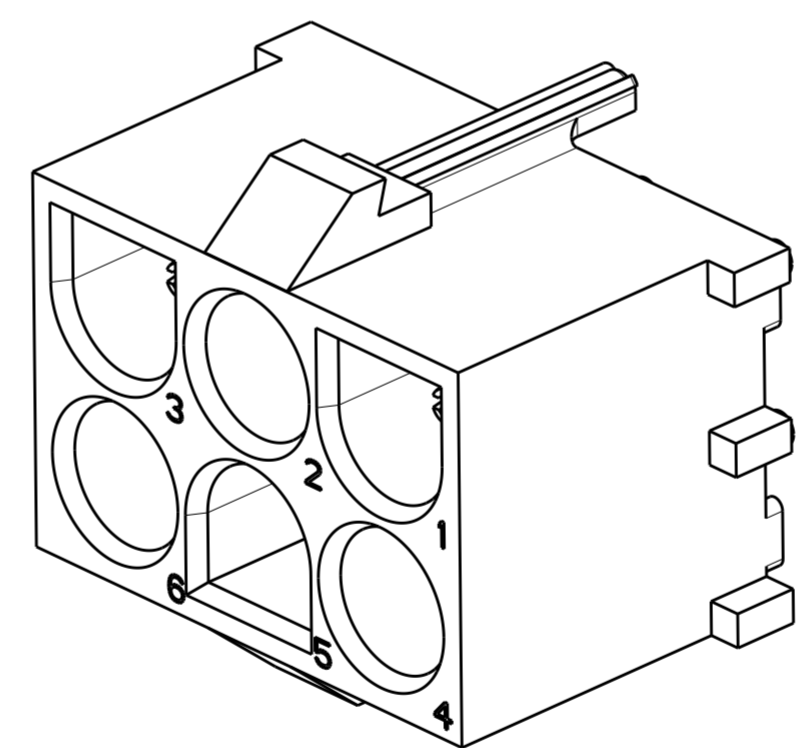


NOTES:

- PARTS COMPLY TO TE SOLDERABILITY SPEC 109-11-3.
- MATERIALS:
 - HOUSING:GF-LCP
COLOR:SEE TABLE
 - CONTACT:PHOSPHOR BRONZE
PLATING:TIN



RECOMMENDED MOUNTING HOLE PATTERN FOR 1.57 THICK PC BOARD SCALE 4:1



SCALE 4:1

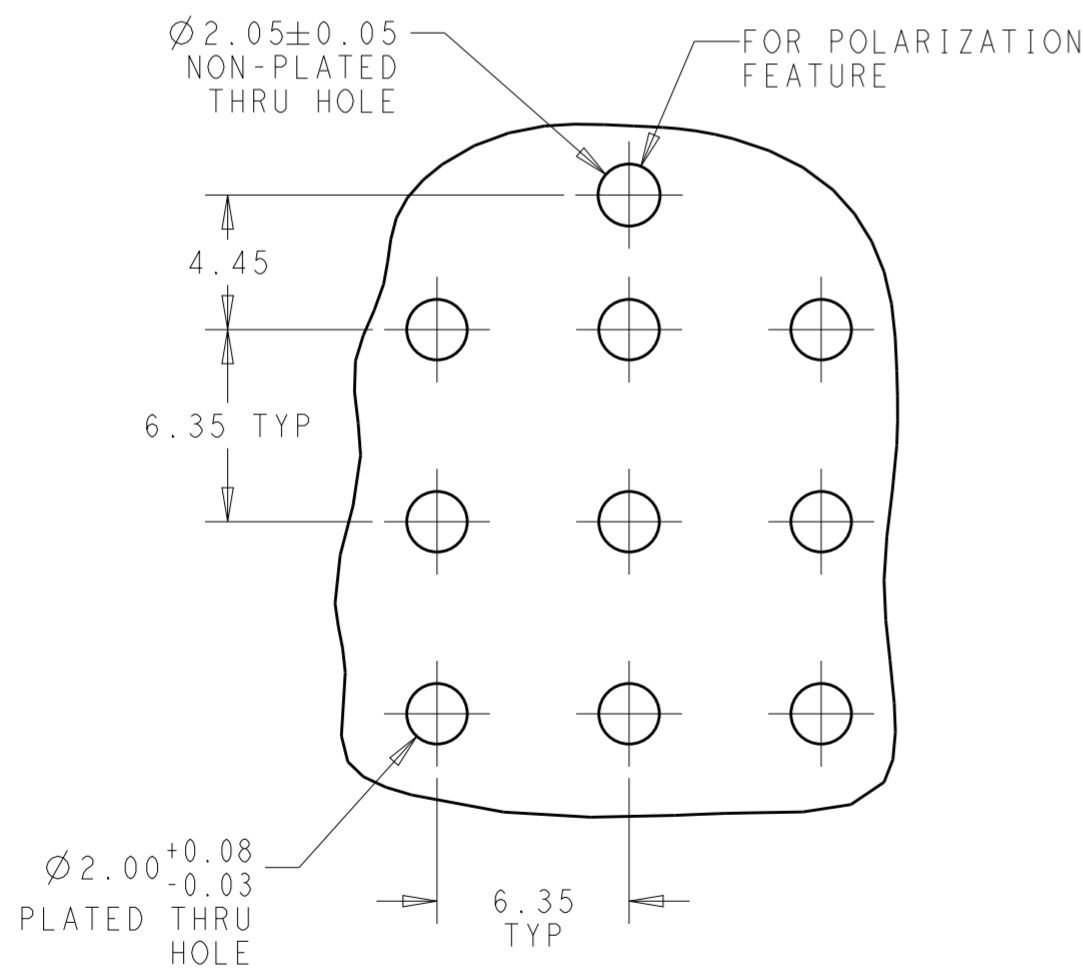
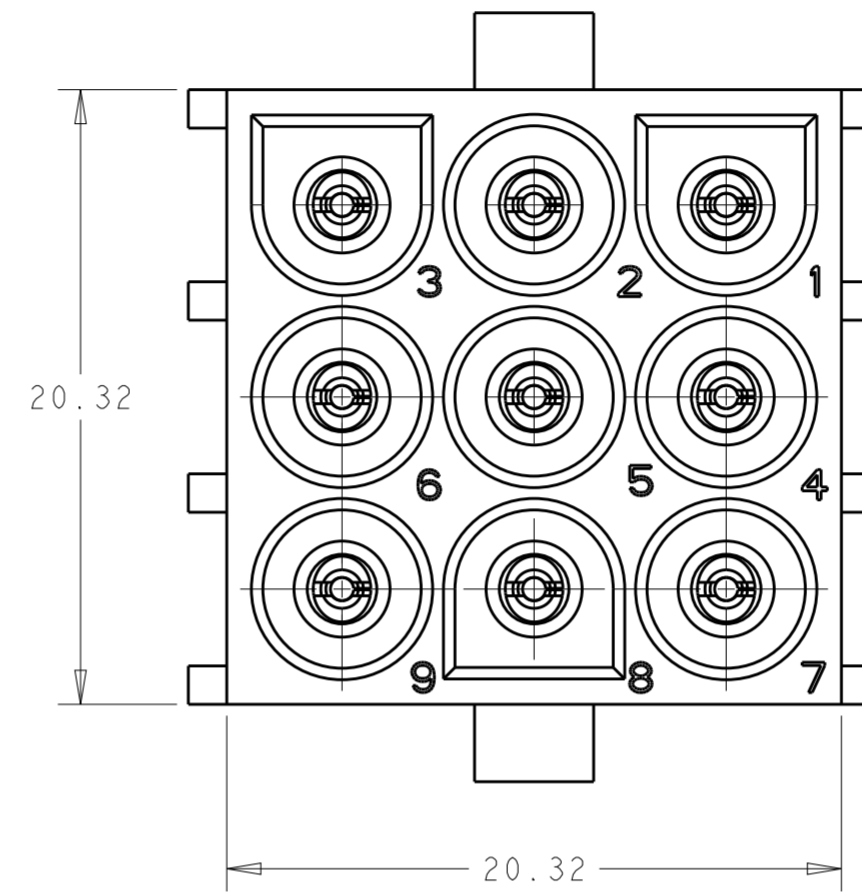
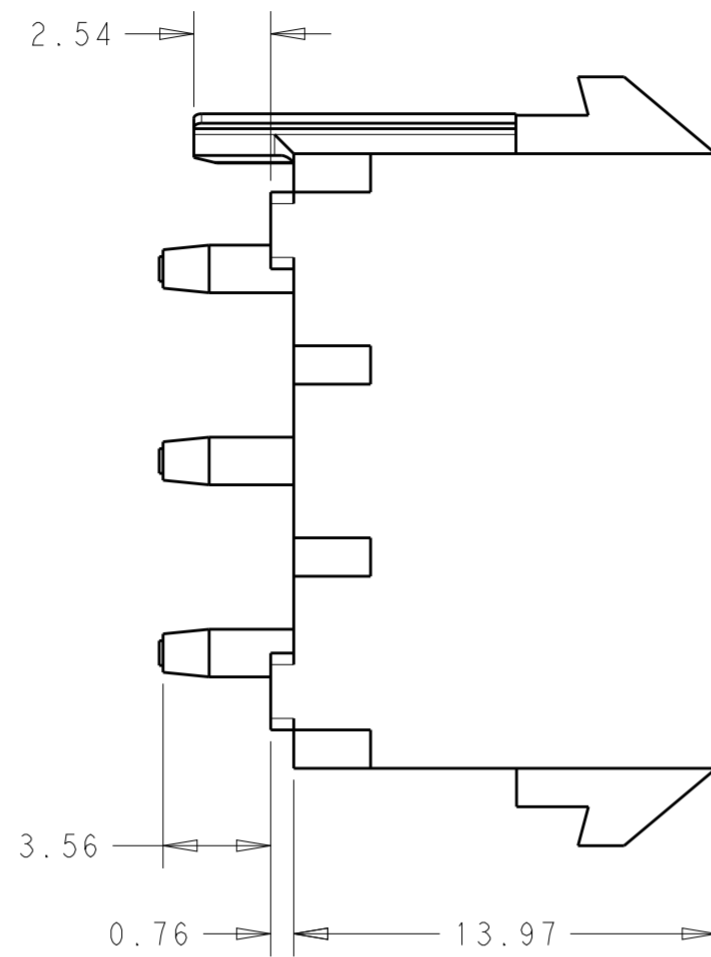
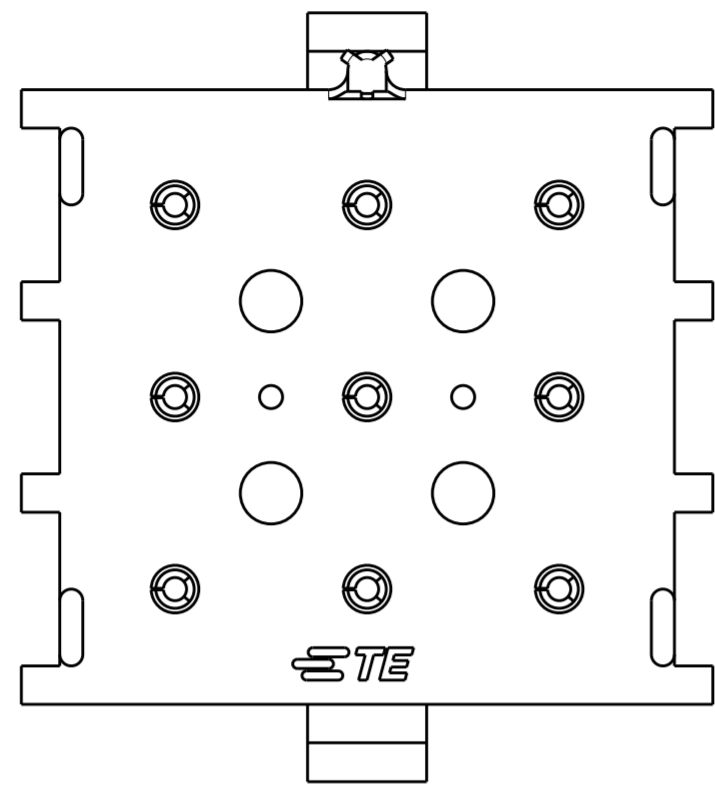
2213755-1, 1-2213755-1 SHOWN

COLOR	POSITION	PART NO.
BLACK	15 POS UMNL HEADER HOUSING POLARIZED	1-2213755-4
BLACK	12 POS UMNL HEADER HOUSING POLARIZED	1-2213755-3
BLACK	9 POS UMNL HEADER HOUSING POLARIZED	1-2213755-2
BLACK	6 POS UMNL HEADER HOUSING POLARIZED	1-2213755-1
NATURAL	15 POS UMNL HEADER HOUSING POLARIZED	2213755-4
NATURAL	12 POS UMNL HEADER HOUSING POLARIZED	2213755-3
NATURAL	9 POS UMNL HEADER HOUSING POLARIZED	2213755-2
NATURAL	6 POS UMNL HEADER HOUSING POLARIZED	2213755-1

THIS DRAWING IS A CONTROLLED DOCUMENT.		DWN J. SHAFFER 02NOV2015	TE Connectivity	
DIMENSIONS: mm		CHK M. MOSTOLLER 02NOV2015		
TOLERANCES UNLESS OTHERWISE SPECIFIED:		APVD M. MOSTOLLER 02NOV2015	NAME 3 ROW PIN HEADER ASSEMBLY, UMNL, HIGH TEMPERATURE	
0 PLC ±-	1 PLC ±0.5	PRODUCT SPEC 108-1053	SIZE A2	CAGE CODE -
2 PLC ±0.13	3 PLC ±-	APPLICATION SPEC 114-133083	DRAWING NO C-2213755	RESTRICTED TO -
4 PLC ±-	ANGLES ±-	WEIGHT -	SCALE 2:1	SHEET 1 OF 4
MATERIAL -	FINISH -	CUSTOMER DRAWING	REV A1	

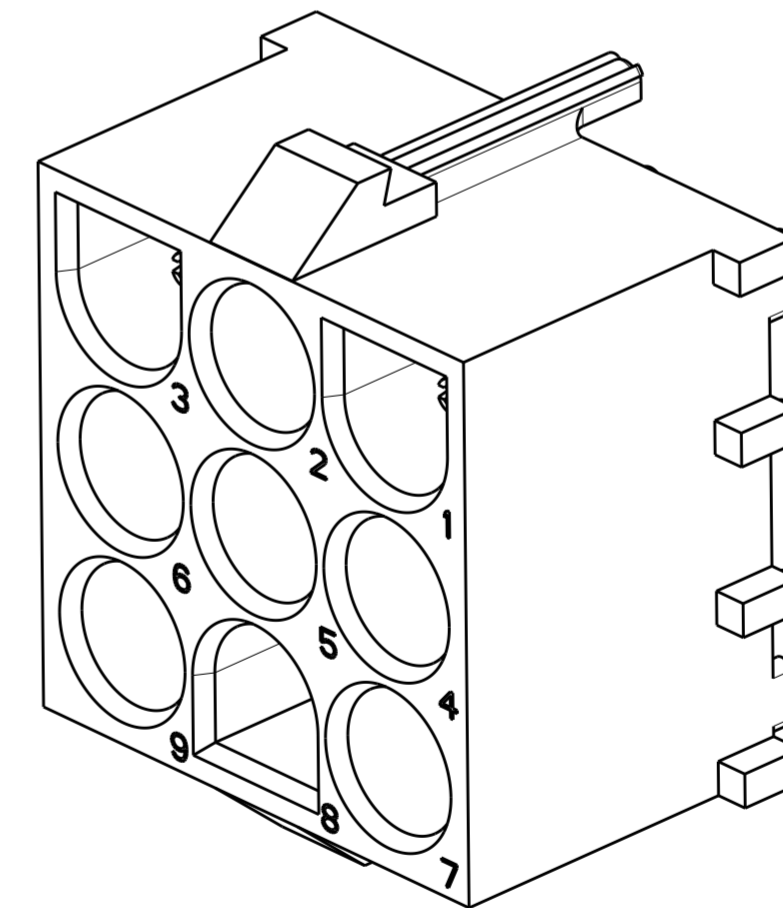
THIS DRAWING IS UNPUBLISHED. RELEASED FOR PUBLICATION 20
 © COPYRIGHT 20 BY - ALL RIGHTS RESERVED.

REVISIONS				
P	LTR	DESCRIPTION	DATE	APVD
		SEE SHEET 1		



RECOMMENDED MOUNTING HOLE PATTERN FOR 1.57 THICK PC BOARD SCALE 4:1

2213755-2, 1-2213755-2 SHOWN

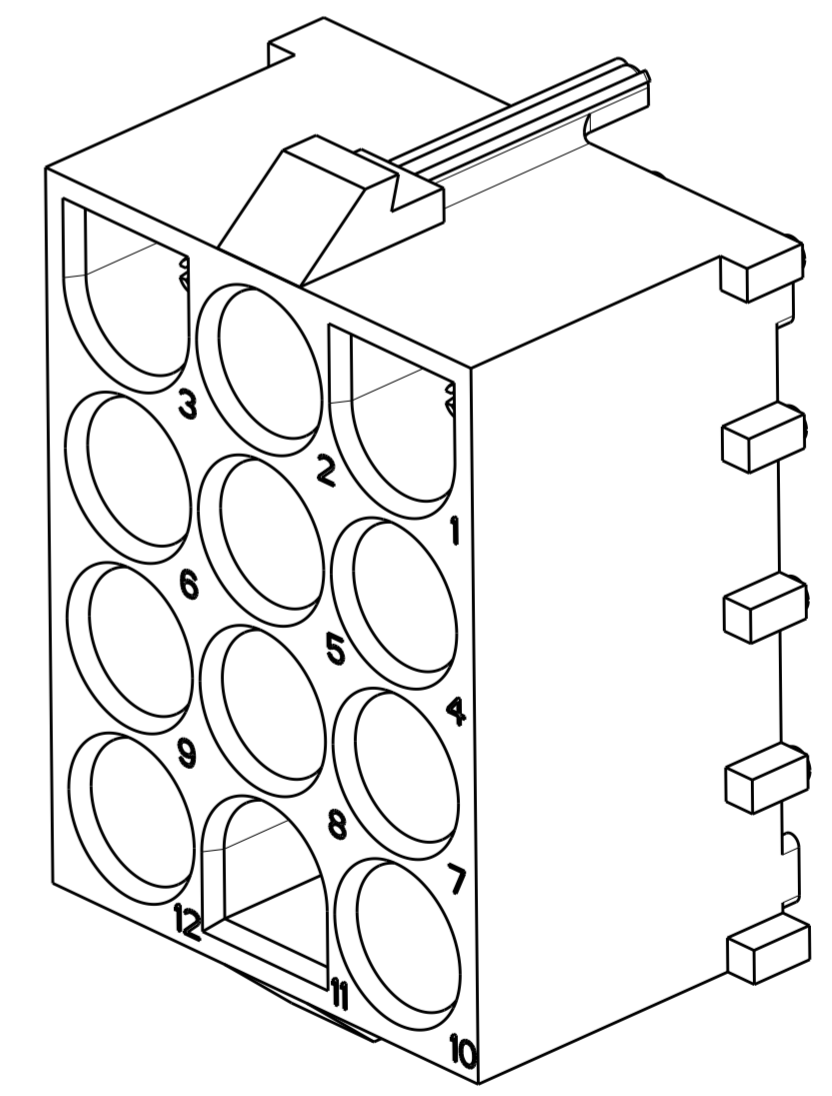
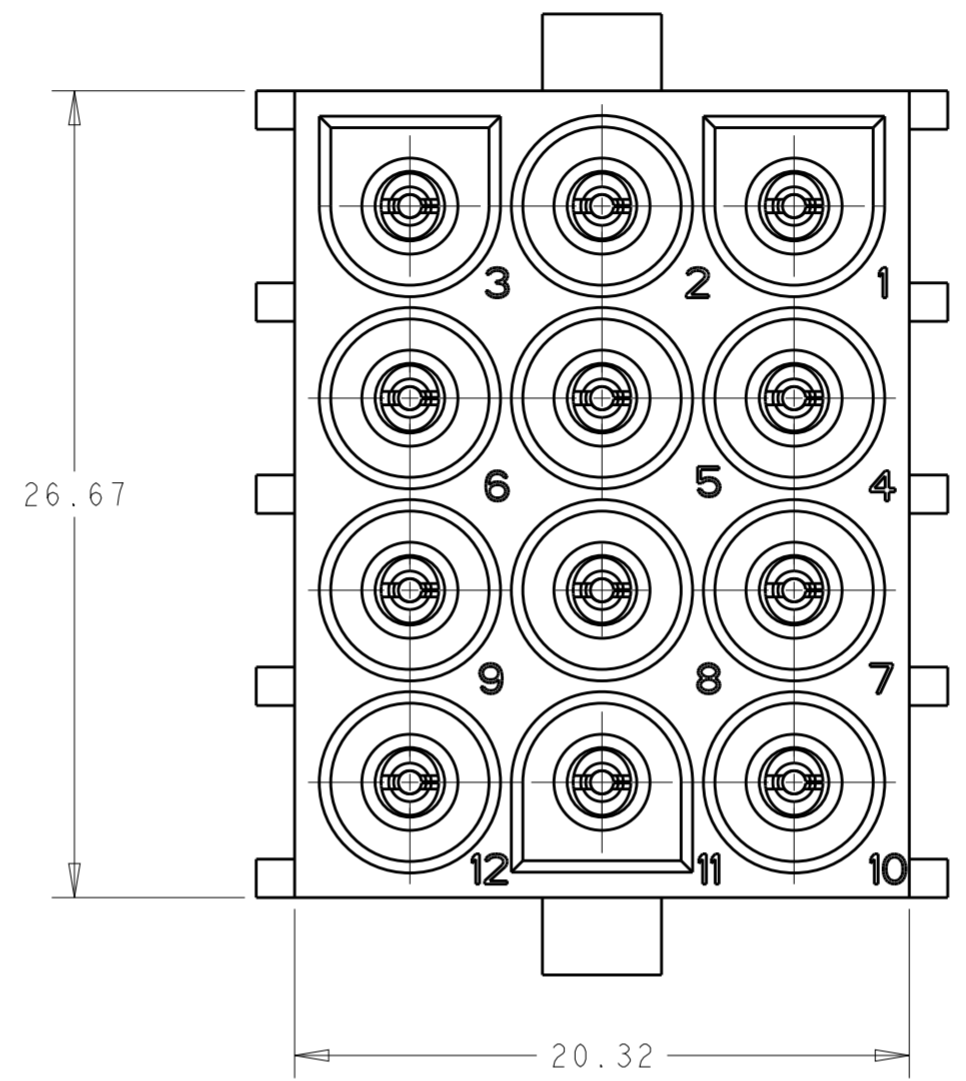
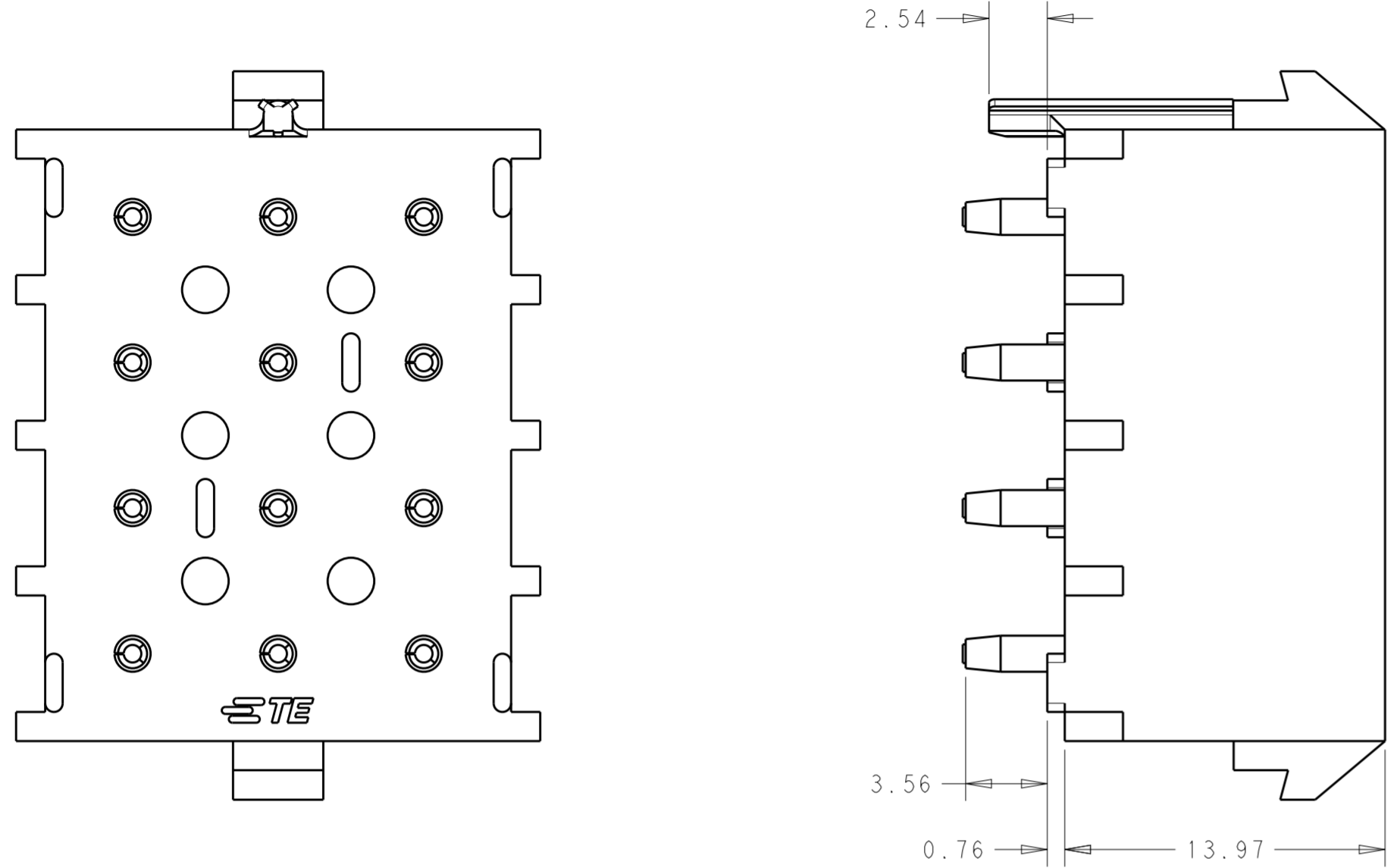


SCALE 4:1

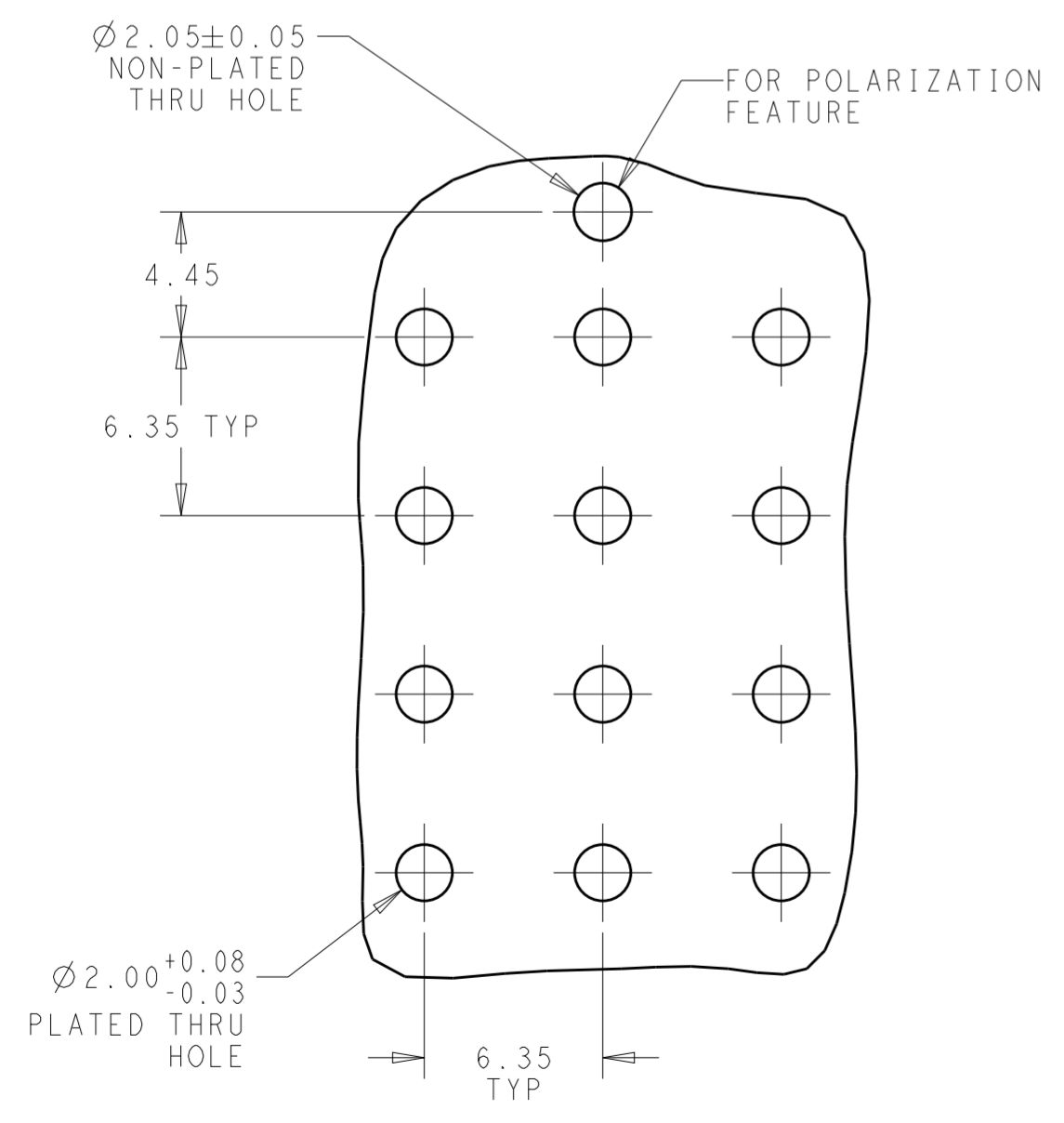
THIS DRAWING IS A CONTROLLED DOCUMENT.		DWN J. SHAFFER 02NOV2015	TE Connectivity	
DIMENSIONS: mm		CHK M. MOSTOLLER 02NOV2015		
TOLERANCES UNLESS OTHERWISE SPECIFIED:		APVD M. MOSTOLLER 02NOV2015	NAME 3 ROW PIN HEADER ASSEMBLY, UMNL, HIGH TEMPERATURE	
0 PLC ±	1 PLC ±0.5	PRODUCT SPEC 108-1053	SIZE A2	CAGE CODE -
2 PLC ±0.13	3 PLC ±	APPLICATION SPEC 114-133083	DRAWING NO C-2213755	RESTRICTED TO -
4 PLC ±	ANGLES ±	WEIGHT -	SCALE 2:1	SHEET 2 OF 4
MATERIAL -	FINISH -	CUSTOMER DRAWING	REV A1	

THIS DRAWING IS UNPUBLISHED. RELEASED FOR PUBLICATION 20
 © COPYRIGHT 20 BY - ALL RIGHTS RESERVED.

REVISIONS				
P	LTR	DESCRIPTION	DATE	APVD
		SEE SHEET 1		



SCALE 4:1



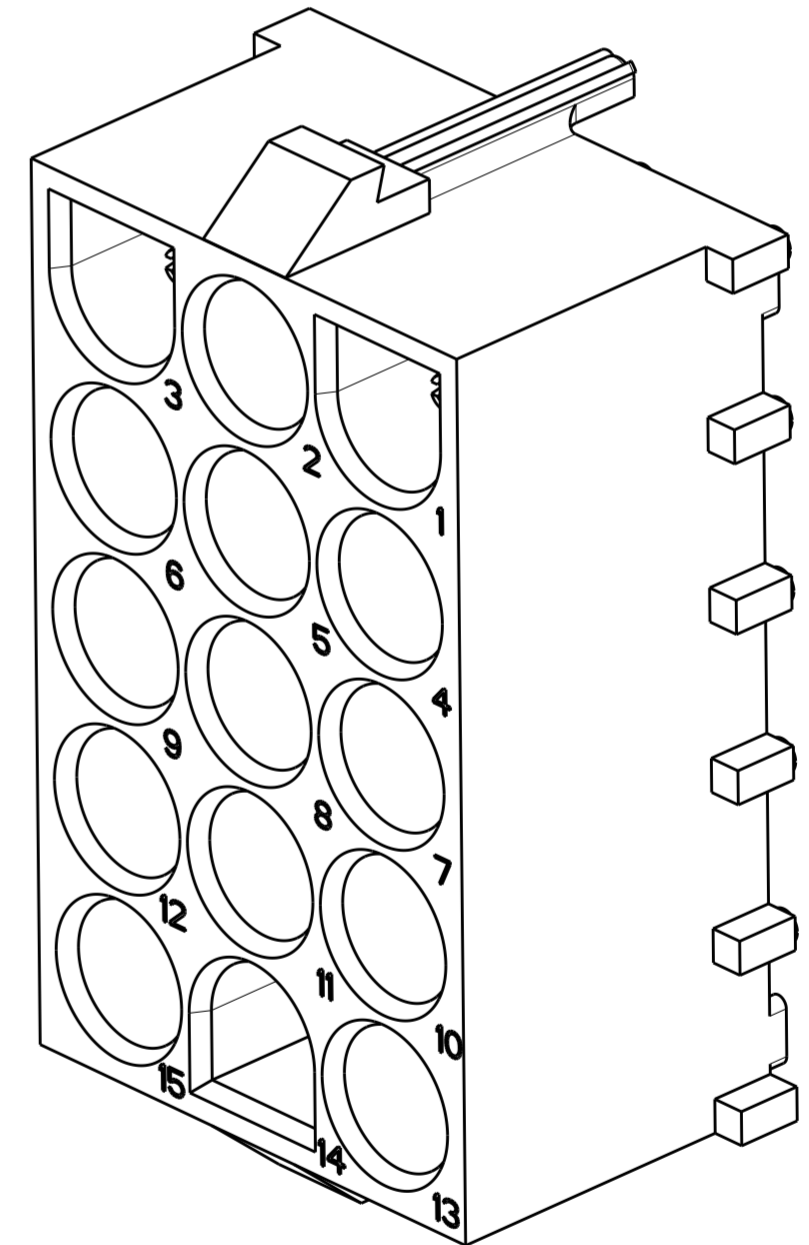
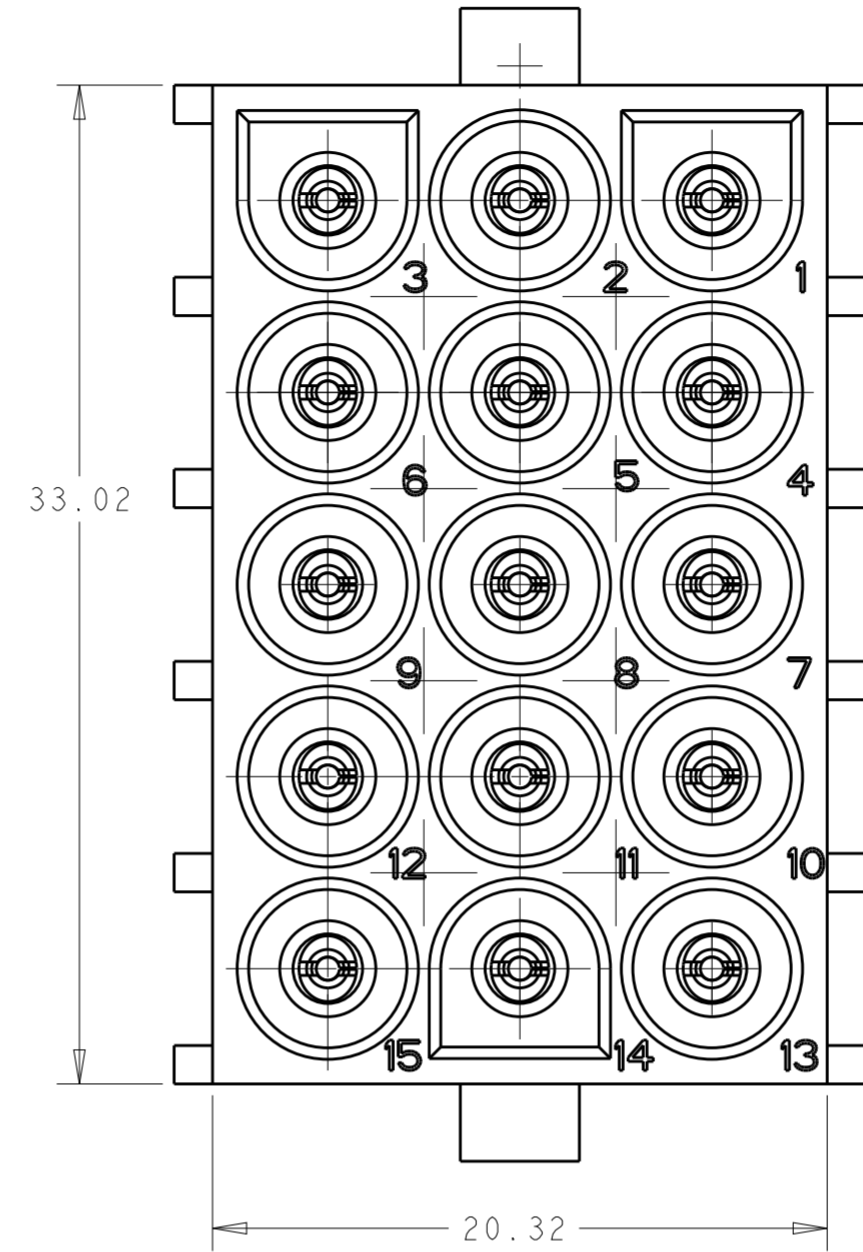
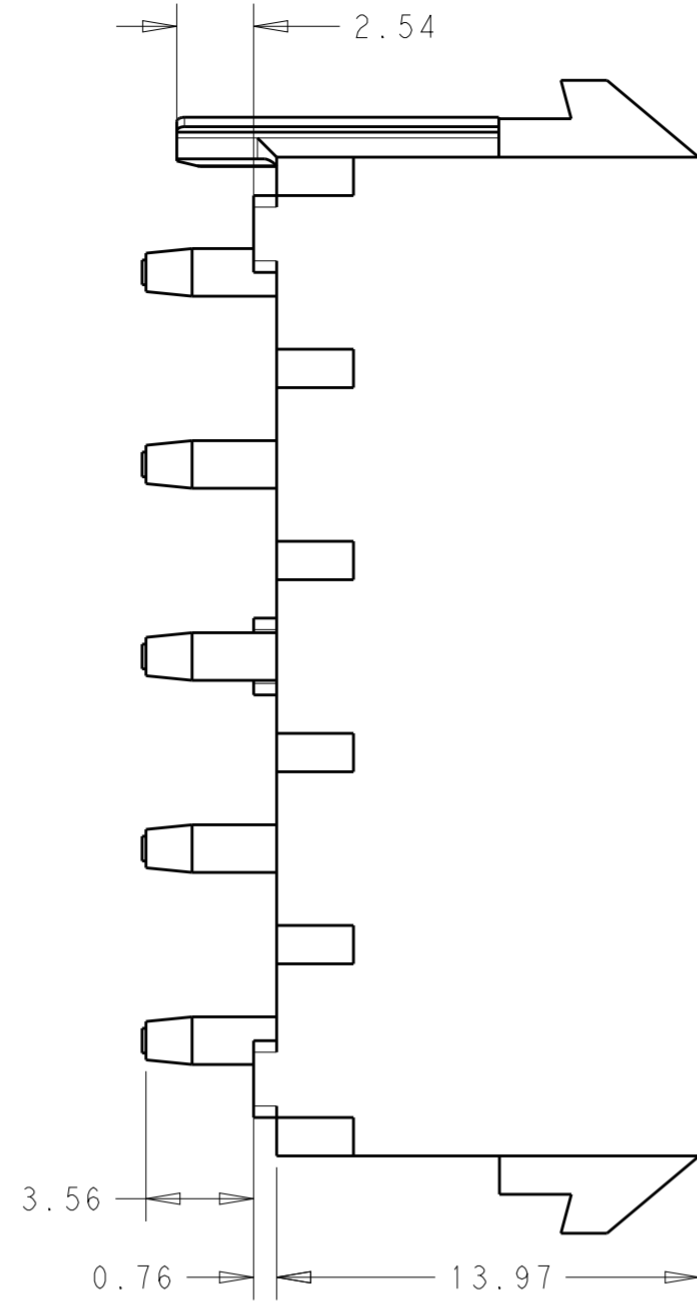
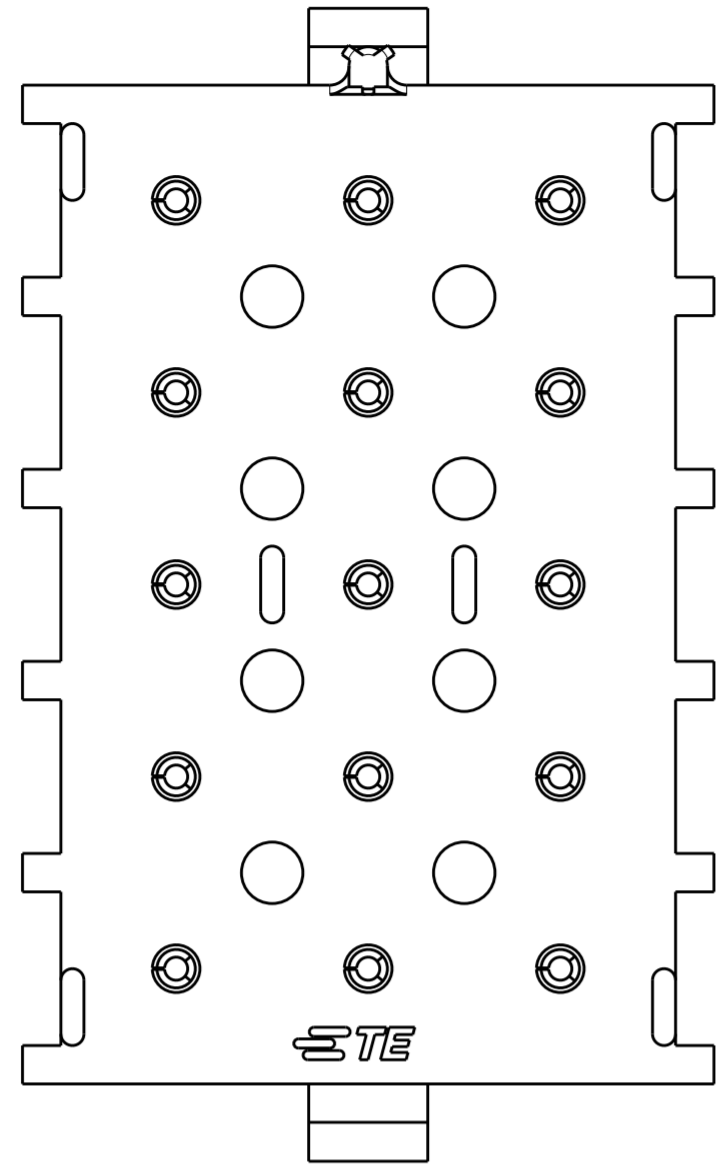
RECOMMENDED MOUNTING HOLE PATTERN FOR 1.57 THICK PC BOARD SCALE 4:1

2213755-3, 1-2213755-3 SHOWN

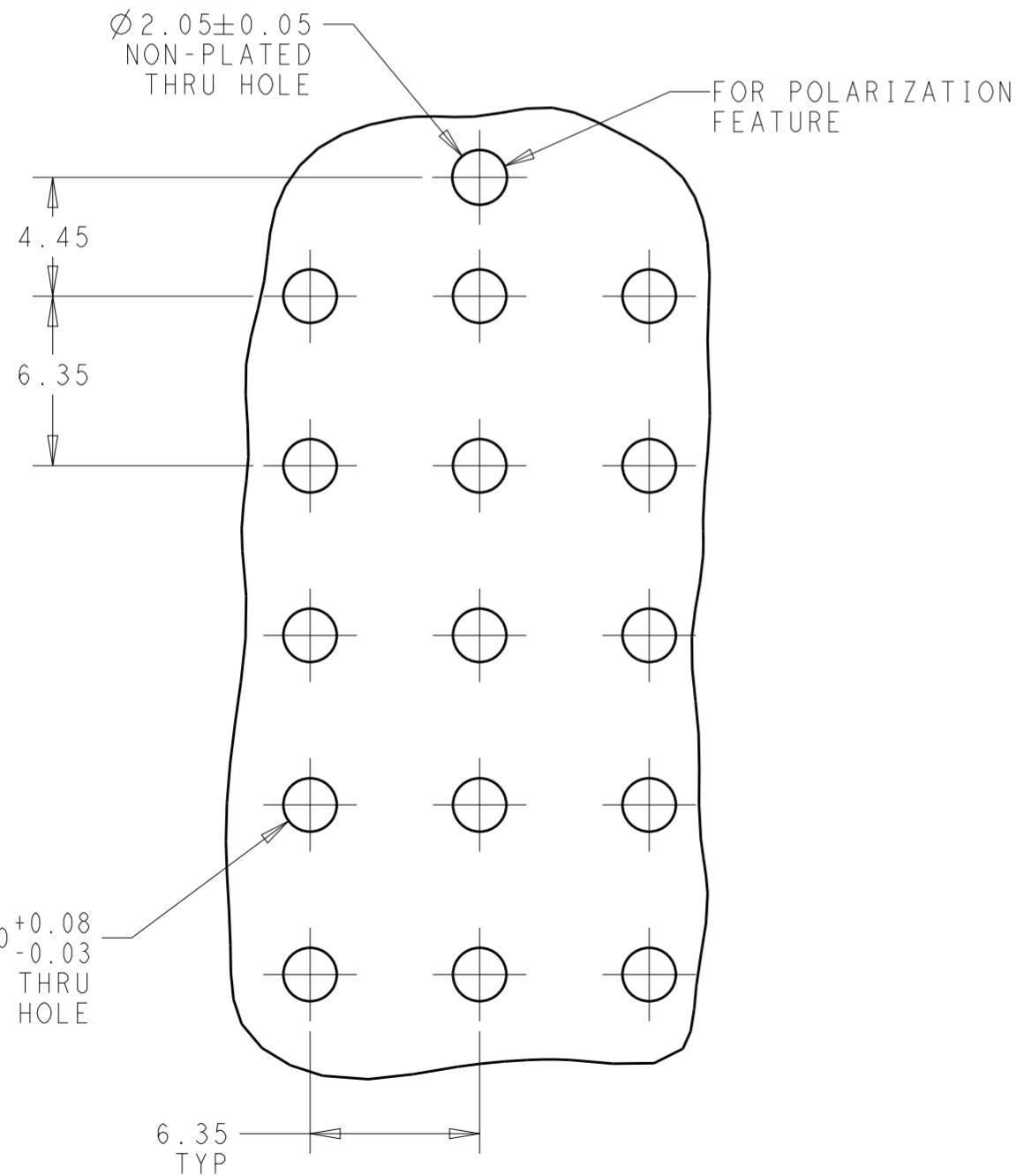
THIS DRAWING IS A CONTROLLED DOCUMENT.		DWN J. SHAFFER 02NOV2015	STE TE Connectivity	
DIMENSIONS: mm		CHK M. MOSTOLLER 02NOV2015		
TOLERANCES UNLESS OTHERWISE SPECIFIED:		APVD M. MOSTOLLER 02NOV2015	NAME 3 ROW PIN HEADER ASSEMBLY, UMNL, HIGH TEMPERATURE	
0 PLC ±	1 PLC ±0.5	PRODUCT SPEC 108-1053	SIZE A2	CAGE CODE -
2 PLC ±0.13	3 PLC ±	APPLICATION SPEC 114-133083	DRAWING NO C-2213755	RESTRICTED TO -
4 PLC ±	ANGLES ±	WEIGHT -	SCALE 2:1	SHEET 3 OF 4
FINISH -	FINISH -	CUSTOMER DRAWING	REV A1	

THIS DRAWING IS UNPUBLISHED. RELEASED FOR PUBLICATION 20
 © COPYRIGHT 20 BY - ALL RIGHTS RESERVED.

REVISIONS				
P	LTR	DESCRIPTION	DATE	APVD
		SEE SHEET 1		



SCALE 4:1



RECOMMENDED MOUNTING HOLE PATTERN FOR 1.57 THICK PC BOARD SCALE 4:1

2213755-4, 1-2213755-4 SHOWN

THIS DRAWING IS A CONTROLLED DOCUMENT.		DWN J. SHAFFER 02NOV2015	TE Connectivity	
DIMENSIONS: mm		CHK M. MOSTOLLER 02NOV2015		
TOLERANCES UNLESS OTHERWISE SPECIFIED:		APVD M. MOSTOLLER 02NOV2015	NAME 3 ROW PIN HEADER ASSEMBLY, UMNL, HIGH TEMPERATURE	
0 PLC ±	1 PLC ±0.5	PRODUCT SPEC 108-1053	SIZE A2	CAGE CODE -
2 PLC ±0.13	3 PLC ±	APPLICATION SPEC 114-133083	DRAWING NO C-2213755	RESTRICTED TO -
4 PLC ±	ANGLES ±	WEIGHT -	SCALE 2:1	SHEET 4 OF 4
MATERIAL -	FINISH -	CUSTOMER DRAWING	REV A1	

X-ON Electronics

Largest Supplier of Electrical and Electronic Components

Click to view similar products for [Headers & Wire Housings](#) category:

Click to view products by [TE Connectivity](#) manufacturer:

Other Similar products are found below :

[892-18-020-10-001101](#) [58102-G61-06LF](#) [582553-1](#) [0009485154](#) [009176003701906](#) [0050291907](#) [LY20-4P-DT1-P1E-BR](#) [02.125.8002.8](#)
[609-3404](#) [61062-3](#) [61082-181009](#) [622-3653LF](#) [63453-116](#) [636-1030](#) [636-1427](#) [636-3427](#) [636-4007](#) [641938-9](#) [641991-4](#) [644827-2](#) [65817-](#)
[010LF](#) [65817-015LF](#) [65863-015LF](#) [66207-023LF](#) [67095-007LF](#) [67601157](#) [68645-018](#) [68648-049](#) [70.362.1628.0](#) [70-4210](#) [70-4226B](#) [70-](#)
[4853B](#) [707-5020](#) [707-5028](#) [71.350.2428.0](#) [71918-208LF](#) [71961-016LF](#) [733-134](#) [733-162](#) [754199-000](#) [760-3052](#) [79531-3000](#) [FCN-](#)
[360C032-B](#) [FCN-367T-T012/H](#) [FCN-723D010/2](#) [80.063.4001.1](#) [800-90-001-10-001000](#) [800-90-010-10-002000](#) [801-43-002-10-013000](#)
[801-43-006-10-002000](#)