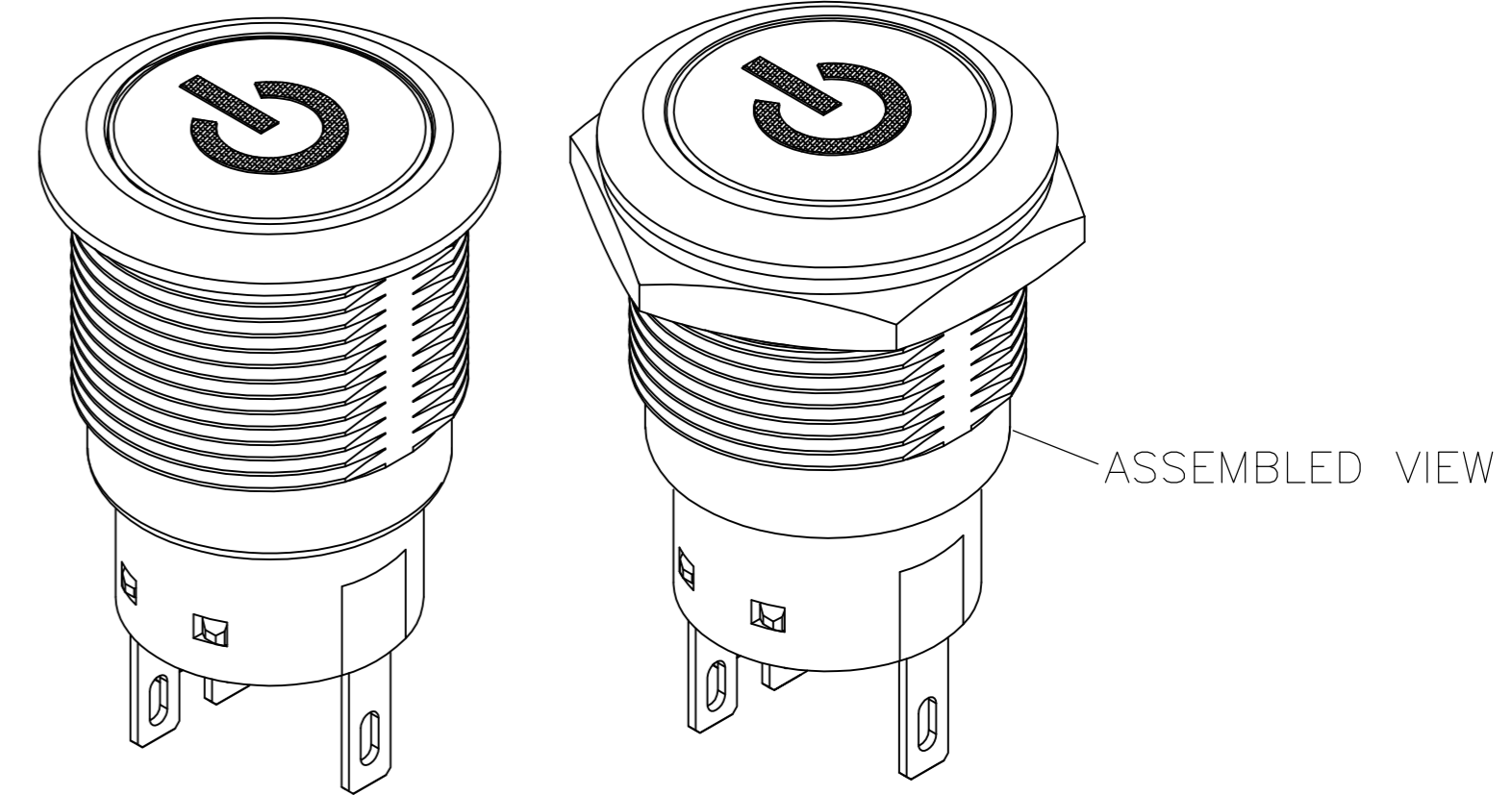
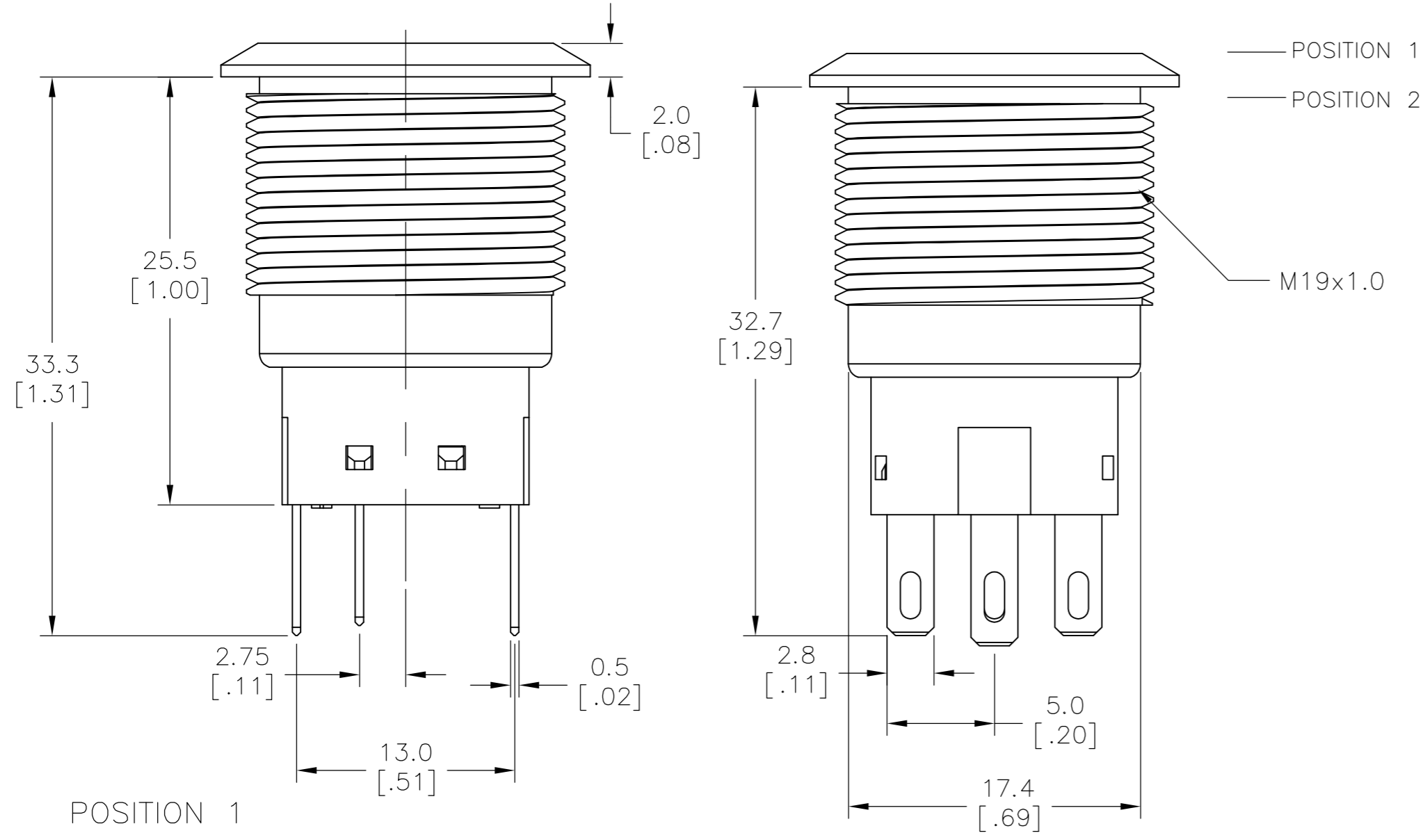


THIS DRAWING IS UNPUBLISHED. RELEASED FOR PUBLICATION  
 © COPYRIGHT - By - ALL RIGHTS RESERVED.

REVISIONS				
P	LTR	DESCRIPTION	DATE	APVD
B		REVISED PER ECR-16-007955	08JUN2016	RS PO



**SPECIFICATIONS**

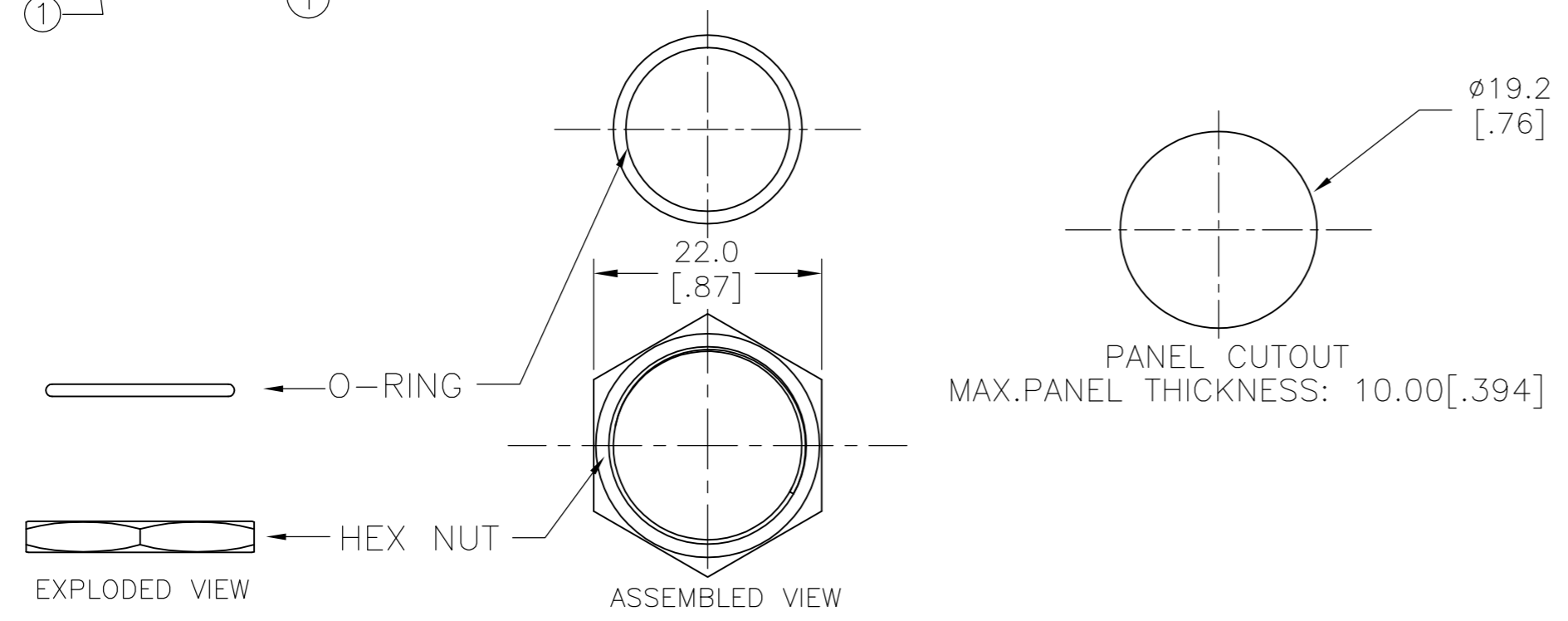
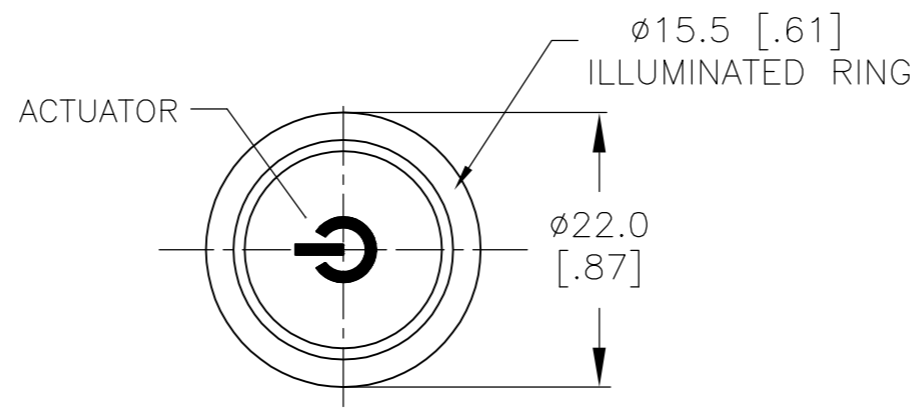
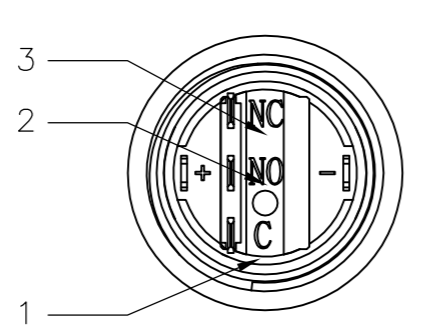
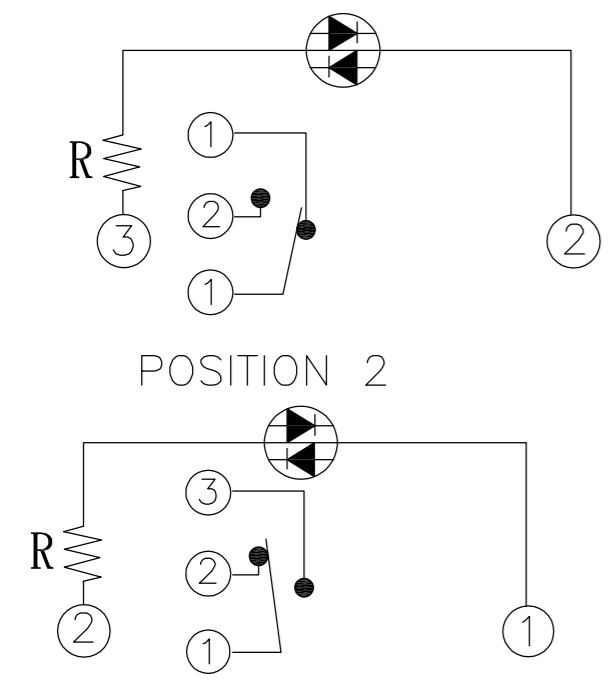
CONTACT RATING: SILVER: 3A @ 250 VAC RESISTIVE  
 GOLD: 0.4VA @ 20VDC OR PEAK AC  
 INSULATION RESISTANCE: 1,000MΩ MIN AT 500VDC  
 DIELECTRIC STRENGTH: 2,000V RMS @ SEA LEVEL  
 CONTACT RESISTANCE: 50 mΩ MAX @ 1A 12VDC (INITIAL VALUE)  
 ELECTRICAL LIFECYCLES: 50,000 MAKE AND BREAK CYCLES AT FULL LOAD

ACTUATION FORCE: SP: 2.5±1 NEWTON, DP: 3.5±1 NEWTON  
 ACTUATION TRAVEL: 3.2mm  
 SEALED PER IP67, IK10 (STAINLESS)  
 OPERATING TEMPERATURE: -20°C TO +55°C  
 MECHANICAL LIFECYCLES: MOMENTARY: 1,000,000 CYCLES  
 LOCKING: 500,000 CYCLES  
 HARDWARE TORQUE: 5-14 N-m

**MATERIALS**

BUSHING: STAINLESS STEEL  
 BASE: PBT (UL 94-V0), PC (UL 94-V2)  
 ACTUATOR: STAINLESS STEEL, PC  
 SEALING: O-RING (SILICONE)  
 TERMINAL/CONTACT: COPPER BASE, SILVER/GOLD PLATED  
 HEX NUT: BRASS BASE, NICKEL PLATED

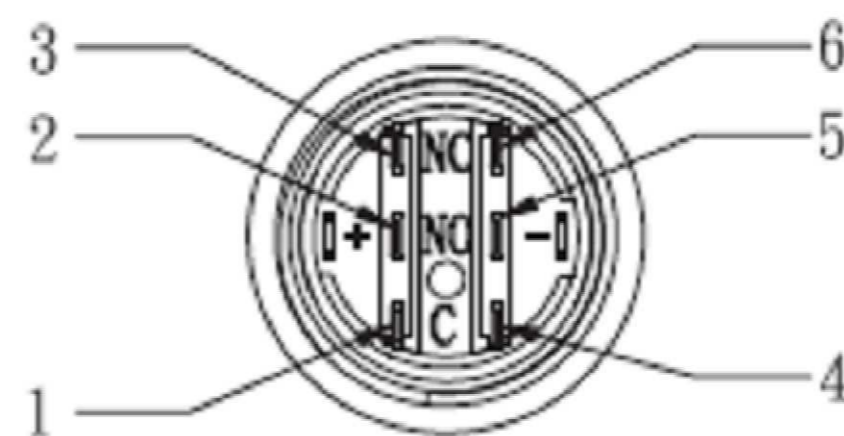
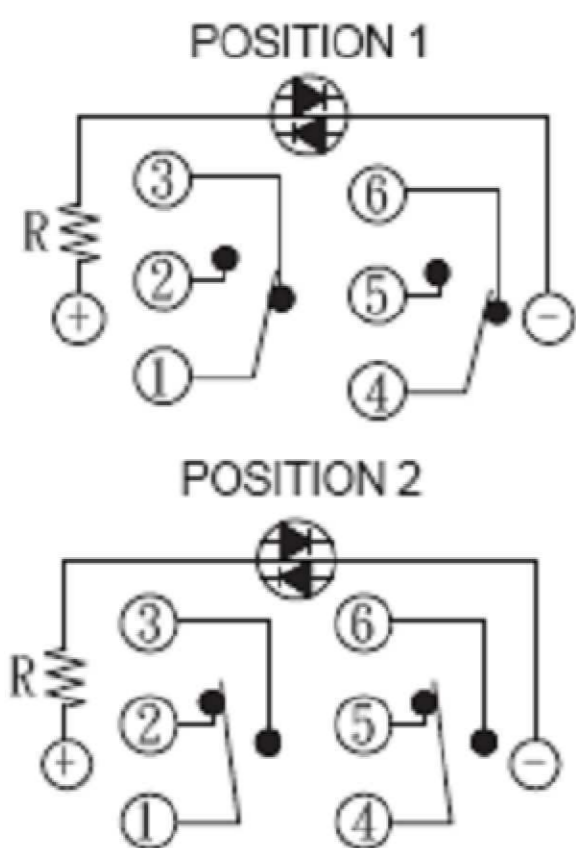
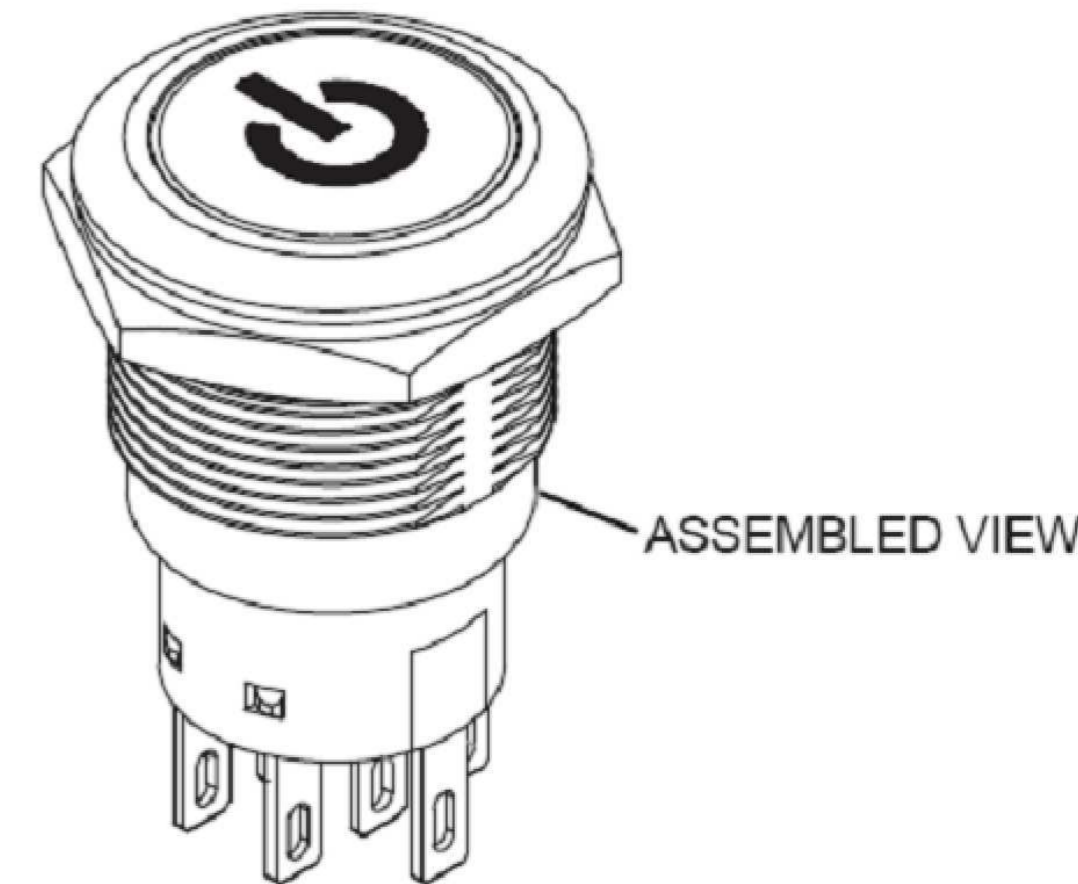
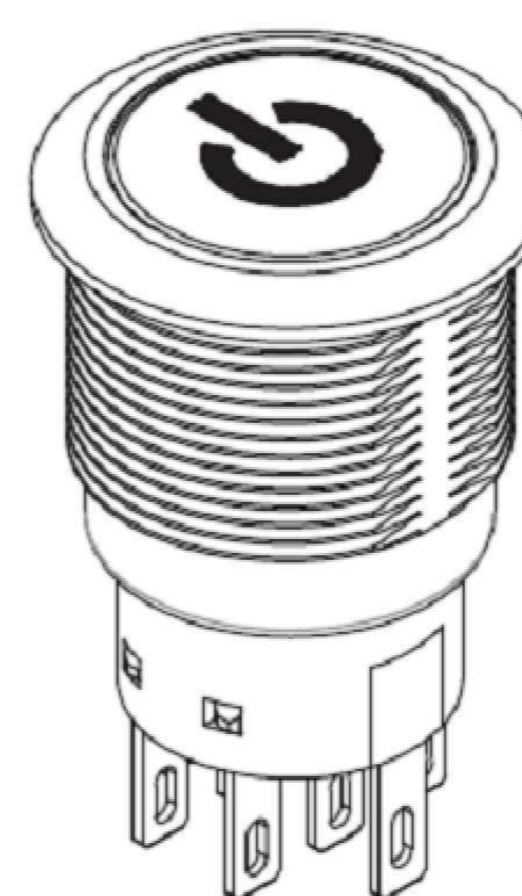
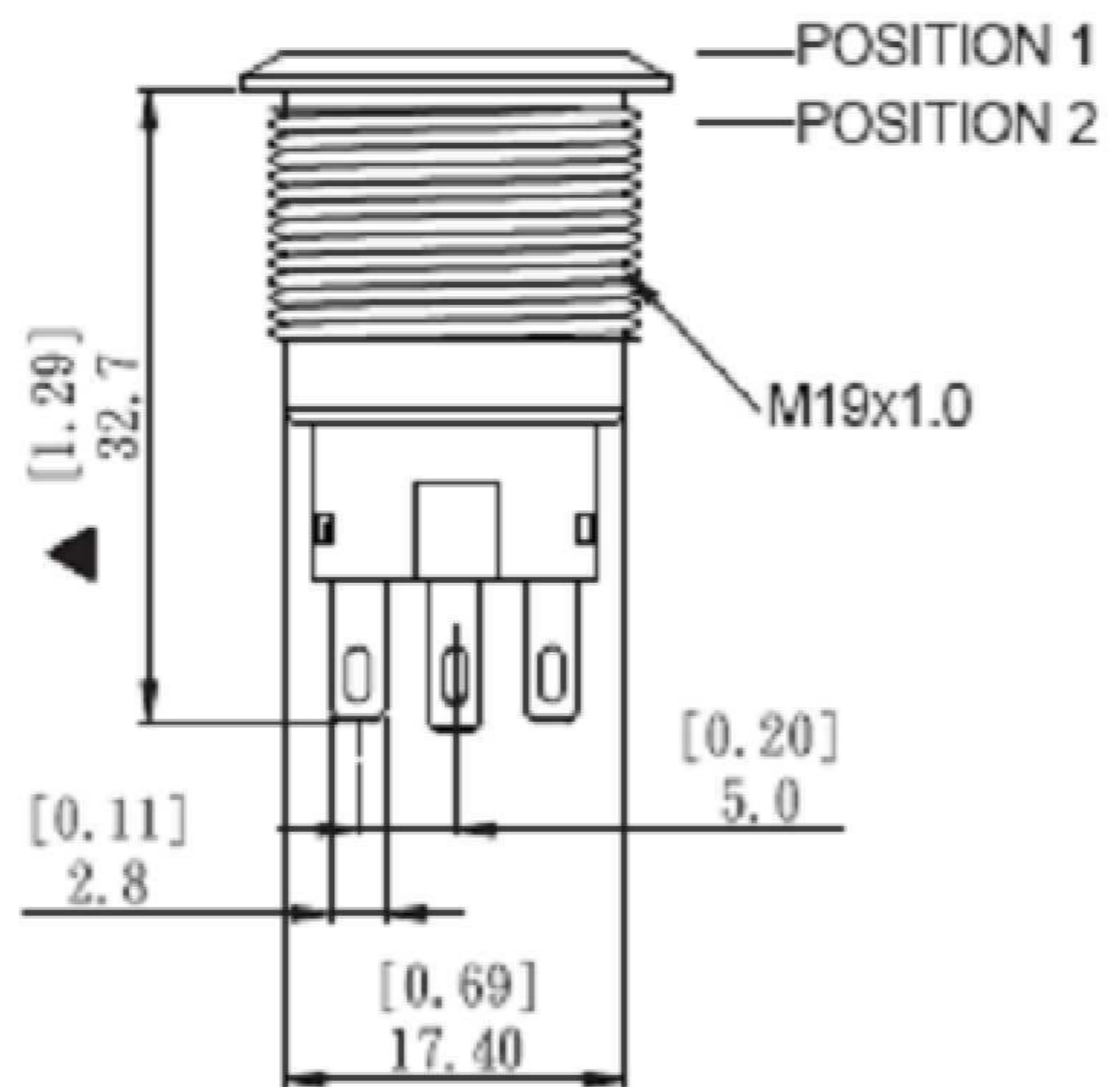
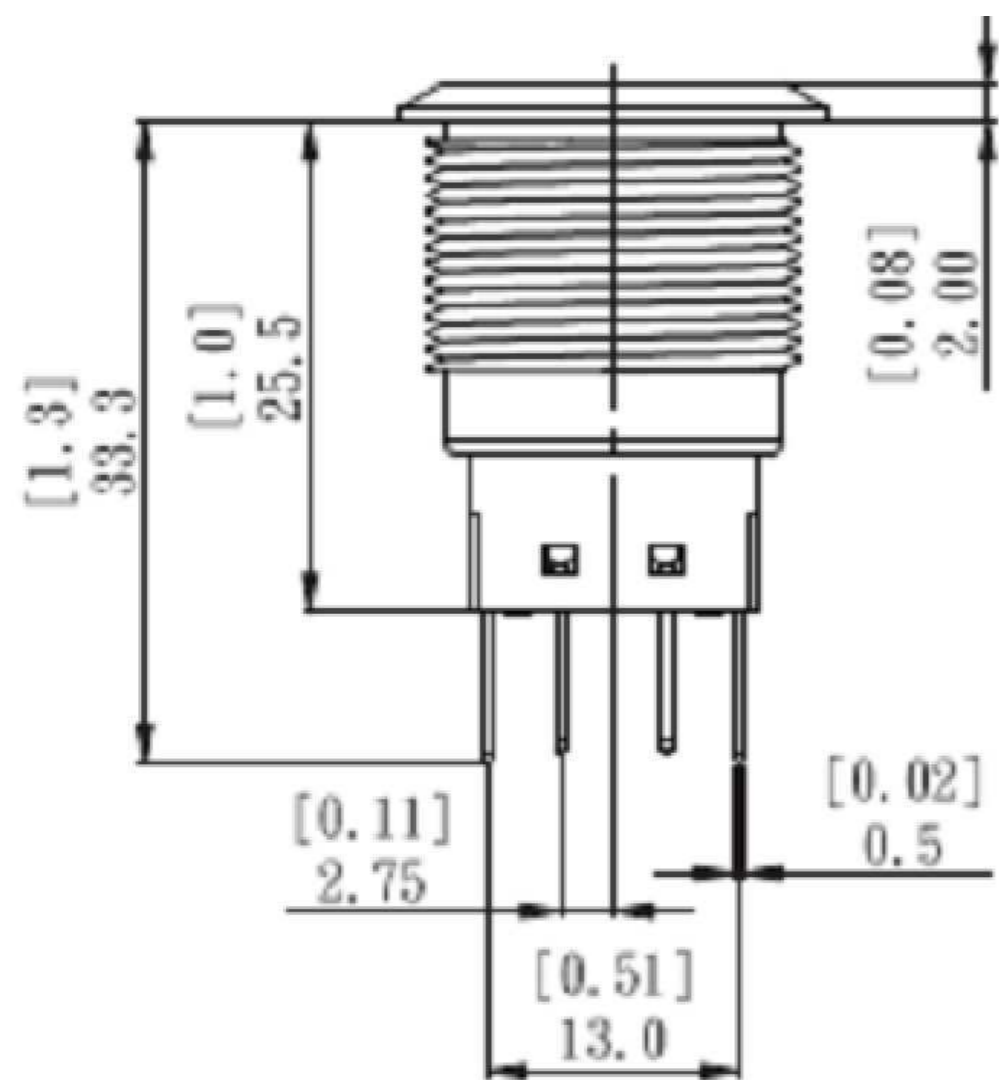
1 ALL MATERIAL AND FINISHES SHALL COMPLY WITH EU DIRECTIVE 2002/95/EC OF 27JAN2003 (ROHS)



THIS DRAWING IS A CONTROLLED DOCUMENT.		DWN NAGALAKSHMI K 08FEB2016	<b>TE</b> TE Connectivity	
DIMENSIONS: mm [INCHES]		CHK HILL RYAN 08FEB2016		
TOLERANCES UNLESS OTHERWISE SPECIFIED:		APVD HILL RYAN 08FEB2016	NAME ANTI-VANDAL SWITCH 19mm POWER LOGO LED	
0 PLC ± - 1 PLC ± - 2 PLC ± - 3 PLC ± - 4 PLC ± - ANGLES ± -		PRODUCT SPEC	SIZE A2	CAGE CODE 00779
MATERIAL -		FINISH -	DRAWING NO C=2213766	RESTRICTED TO -
		WEIGHT 0	SCALE 6:1	SHEET 1 of 3
		CUSTOMER DRAWING	REV B	

THIS DRAWING IS UNPUBLISHED. RELEASED FOR PUBLICATION  
 © COPYRIGHT - By - ALL RIGHTS RESERVED.


REVISIONS				
P	LTR	DESCRIPTION	DATE	APVD
-	-	SEE SHEET 1	-	-



THIS DRAWING IS A CONTROLLED DOCUMENT.		DWN 08FEB2016 NAGALAKSHMI K		
DIMENSIONS: mm [INCHES]		CHK 08FEB2016 HILL RYAN		
TOLERANCES UNLESS OTHERWISE SPECIFIED:		APVD 08FEB2016 HILL RYAN	NAME	
0 PLC ± -		PRODUCT SPEC		ANTI-VANDAL SWITCH 19mm POWER LOGO LED
1 PLC ± -		APPLICATION SPEC		
2 PLC ± -		WEIGHT -		RESTRICTED TO
3 PLC ± -		SIZE A2		CAGE CODE 00779
4 PLC ± -		DRAWING NO. C-2213766		SCALE NTS
ANGLES ± -		CUSTOMER DRAWING		SHEET 2 of 3
FINISH -		REV B		

THIS DRAWING IS UNPUBLISHED.		RELEASED FOR PUBLICATION				REVISIONS						
© COPYRIGHT - By -		ALL RIGHTS RESERVED.				P	LTR	DESCRIPTION		DATE	DWN	APVD
DOUBLE POLE-- MOMENTARY	SILVER	WHITE	24V	AV1920P124Q04	4-2213766-3							
	GOLD	WHITE	12V	AV1920P112R04	4-2213766-2							
	SILVER	WHITE	12V	AV1920P112Q04	4-2213766-1							
SINGLE POLE-- LOCKING	GOLD	BLUE	24V	AV1911P724R04	4-2213766-0							
	SILVER	BLUE	24V	AV1911P724Q04	3-2213766-9							
	GOLD	BLUE	12V	AV1911P712R04	3-2213766-8							
	SILVER	BLUE	12V	AV1911P712Q04	3-2213766-7							
	GOLD	GREEN	24V	AV1911P624R04	3-2213766-6							
	SILVER	GREEN	24V	AV1911P624Q04	3-2213766-5							
	GOLD	GREEN	12V	AV1911P612R04	3-2213766-4							
	SILVER	GREEN	12V	AV1911P612Q04	3-2213766-3							
	GOLD	YELLOW	24V	AV1911P524R04	3-2213766-2							
	SILVER	YELLOW	24V	AV1911P524Q04	3-2213766-1							
	GOLD	YELLOW	12V	AV1911P512R04	3-2213766-0							
	SILVER	YELLOW	12V	AV1911P512Q04	2-2213766-9							
	GOLD	RED	24V	AV1911P324R04	2-2213766-8							
	SILVER	RED	24V	AV1911P324Q04	2-2213766-7							
	GOLD	RED	12V	AV1911P312R04	2-2213766-6							
	SILVER	RED	12V	AV1911P312Q04	2-2213766-5							
	GOLD	WHITE	24V	AV1911P124R04	2-2213766-4							
	SILVER	WHITE	24V	AV1911P124Q04	2-2213766-3							
	GOLD	WHITE	12V	AV1911P112R04	2-2213766-2							
	SILVER	WHITE	12V	AV1911P112Q04	2-2213766-1							
SINGLE POLE-- MOMENTARY	GOLD	BLUE	24V	AV1910P724R04	2-2213766-0							
	SILVER	BLUE	24V	AV1910P724Q04	1-2213766-9							
	GOLD	BLUE	12V	AV1910P712R04	1-2213766-8							
	SILVER	BLUE	12V	AV1910P712Q04	1-2213766-7							
	GOLD	GREEN	24V	AV1910P624R04	1-2213766-6							
	SILVER	GREEN	24V	AV1910P624Q04	1-2213766-5							
	GOLD	GREEN	12V	AV1910P612R04	1-2213766-4							
	SILVER	GREEN	12V	AV1910P612Q04	1-2213766-3							
	GOLD	YELLOW	24V	AV1910P524R04	1-2213766-2							
	SILVER	YELLOW	24V	AV1910P524Q04	1-2213766-1							
	GOLD	YELLOW	12V	AV1910P512R04	1-2213766-0							
	SILVER	YELLOW	12V	AV1910P512Q04	2213766-9							
	GOLD	RED	24V	AV1910P324R04	2213766-8							
	SILVER	RED	24V	AV1910P324Q04	2213766-7							
	GOLD	RED	12V	AV1910P312R04	2213766-6							
	SILVER	RED	12V	AV1910P312Q04	2213766-5							
	GOLD	WHITE	24V	AV1910P124R04	2213766-4							
	SILVER	WHITE	24V	AV1910P124Q04	2213766-3							
	GOLD	WHITE	12V	AV1910P112R04	2213766-2							
	SILVER	WHITE	12V	AV1910P112Q04	2213766-1							
POLE/THROW	CONTACT	LED COLOUR	LED VOLTAGE	TE DESCRIPTIVE PN	TE PART NUMBER							

THIS DRAWING IS UNPUBLISHED.		RELEASED FOR PUBLICATION				REVISIONS						
© COPYRIGHT - By -		ALL RIGHTS RESERVED.				P	LTR	DESCRIPTION		DATE	DWN	APVD
DOUBLE POLE --LOCKING	GOLD	BLUE	24V	AV1921P724R04	8-2213766-0							
	SILVER	BLUE	24V	AV1921P724Q04	7-2213766-9							
	GOLD	BLUE	12V	AV1921P712R04	7-2213766-8							
	SILVER	BLUE	12V	AV1921P712Q04	7-2213766-7							
	GOLD	GREEN	24V	AV1921P624R04	7-2213766-6							
	SILVER	GREEN	24V	AV1921P624Q04	7-2213766-5							
	GOLD	GREEN	12V	AV1921P612R04	7-2213766-4							
	SILVER	GREEN	12V	AV1921P612Q04	7-2213766-3							
	GOLD	YELLOW	24V	AV1921P524R04	7-2213766-2							
	SILVER	YELLOW	24V	AV1921P524Q04	7-2213766-1							
	GOLD	YELLOW	12V	AV1921P512R04	7-2213766-0							
	SILVER	YELLOW	12V	AV1921P512Q04	6-2213766-9							
	GOLD	RED	24V	AV1921P324R04	6-2213766-8							
	SILVER	RED	24V	AV1921P324Q04	6-2213766-7							
	GOLD	RED	12V	AV1921P312R04	6-2213766-6							
	SILVER	RED	12V	AV1921P312Q04	6-2213766-5							
	GOLD	WHITE	24V	AV1921P124R04	6-2213766-4							
	SILVER	WHITE	24V	AV1921P124Q04	6-2213766-3							
	GOLD	WHITE	12V	AV1921P112R04	6-2213766-2							
	SILVER	WHITE	12V	AV1921P112Q04	6-2213766-1							
DOUBLE POLE-- MOMENTARY	GOLD	BLUE	24V	AV1920P724R04	6-2213766-0							
	SILVER	BLUE	24V	AV1920P724Q04	5-2213766-9							
	GOLD	BLUE	12V	AV1920P712R04	5-2213766-8							
	SILVER	BLUE	12V	AV1920P712Q04	5-2213766-7							
	GOLD	GREEN	24V	AV1920P624R04	5-2213766-6							
	SILVER	GREEN	24V	AV1920P624Q04	5-2213766-5							
	GOLD	GREEN	12V	AV1920P612R04	5-2213766-4							
	SILVER	GREEN	12V	AV1920P612Q04	5-2213766-3							
	GOLD	YELLOW	24V	AV1920P524R04	5-2213766-2							
	SILVER	YELLOW	24V	AV1920P524Q04	5-2213766-1							
	GOLD	YELLOW	12V	AV1920P512R04	5-2213766-0							
	SILVER	YELLOW	12V	AV1920P512Q04	4-2213766-9							
GOLD	RED	24V	AV1920P324R04	4-2213766-8								
SILVER	RED	24V	AV1920P324Q04	4-2213766-7								
GOLD	RED	12V	AV1920P312R04	4-2213766-6								
SILVER	RED	12V	AV1920P312Q04	4-2213766-5								
GOLD	WHITE	24V	AV1920P124R04	4-2213766-4								

THIS DRAWING IS A CONTROLLED DOCUMENT.		DWN	08FEB2016	 TE Connectivity	
		CHK	08FEB2016		
		APVD	08FEB2016		
		PRODUCT SPEC			
DIMENSIONS:		TOLERANCES UNLESS OTHERWISE SPECIFIED:		NAME	
mm [INCHES]		0 PLC ± - 1 PLC ± - 2 PLC ± - 3 PLC ± - 4 PLC ± - ANGLES ± - FINISH		HILL RYAN HILL RYAN APPLICATION SPEC	
MATERIAL		WEIGHT		SIZE	
-		-		A2 00779	
		CUSTOMER DRAWING		DRAWING NO	
				C=2213766	
		SCALE		RESTRICTED TO	
		NTS		-	
		SHEET		REV	
		3 of 3		B	

## X-ON Electronics

Largest Supplier of Electrical and Electronic Components

*Click to view similar products for [Pushbutton Switches](#) category:*

*Click to view products by [TE Connectivity](#) manufacturer:*

Other Similar products are found below :

[LW1L-M1C10V-A](#) [LW2L-A1C20M-GD](#) [LW2L-M1C20M-A](#) [60324L](#) [M7E-HRN2](#) [67021K512](#) [67081K512X](#) [701PB580](#) [719-5504-000](#)  
[MDPSSGLFS](#) [810KSV30B](#) [FLT 2U EE 01A](#) [MML21KA3ABK](#) [MML23KA3AC05K-001](#) [MML23KW3AA01W](#) [8418K2](#) [8646AB6X718UL](#)  
[8646ABUL](#) [FSDWH](#) [9001KXRK](#) [9001T8BK](#) [9533CD4+U574+U4922](#) [1203MRA](#) [A22EM01S](#) [A595](#) [12037A2ULCSA](#) [1203A2UL](#)  
[ABD122N-B](#) [1211390004](#) [ABN111-Y](#) [ABN400-R](#) [1211500044](#) [1211580012](#) [1212MRA](#) [1232A6NF](#) [1241.1183.7047](#) [1241.2511](#) [1241.3428](#)  
[1223A2ULCSA](#) [1223MRA](#) [1232AX2119](#) [1241.1183.8000](#) [1241.1183.8029](#) [1241.2506](#) [1241.2606](#) [12MA6](#) [1301940184](#)  
[RELBARF6X10\(PLASTIC\)](#) [13435AG](#) [13440AD2G25X822+U4546](#)