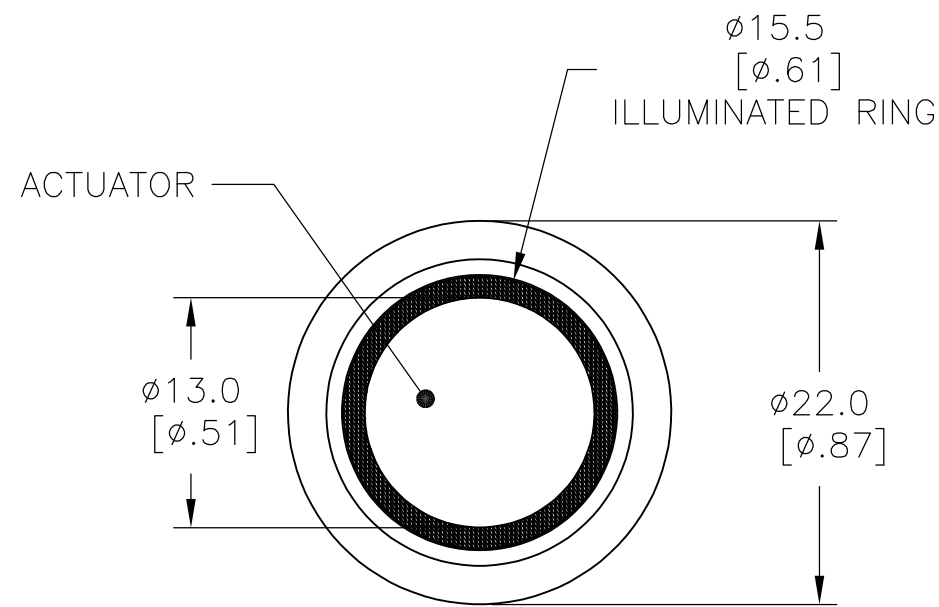
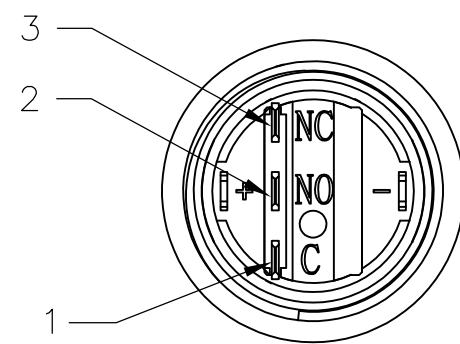
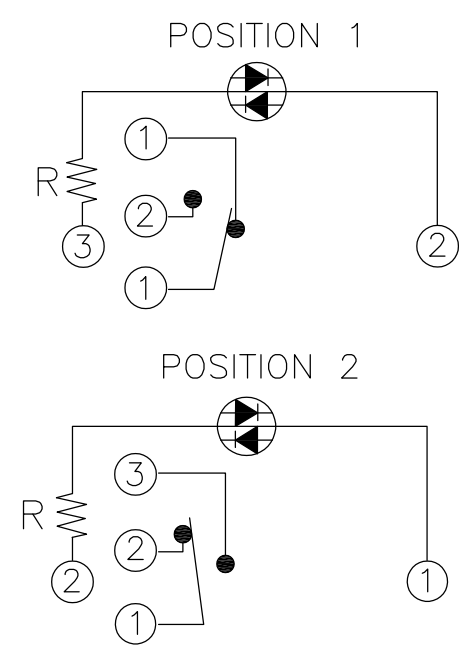
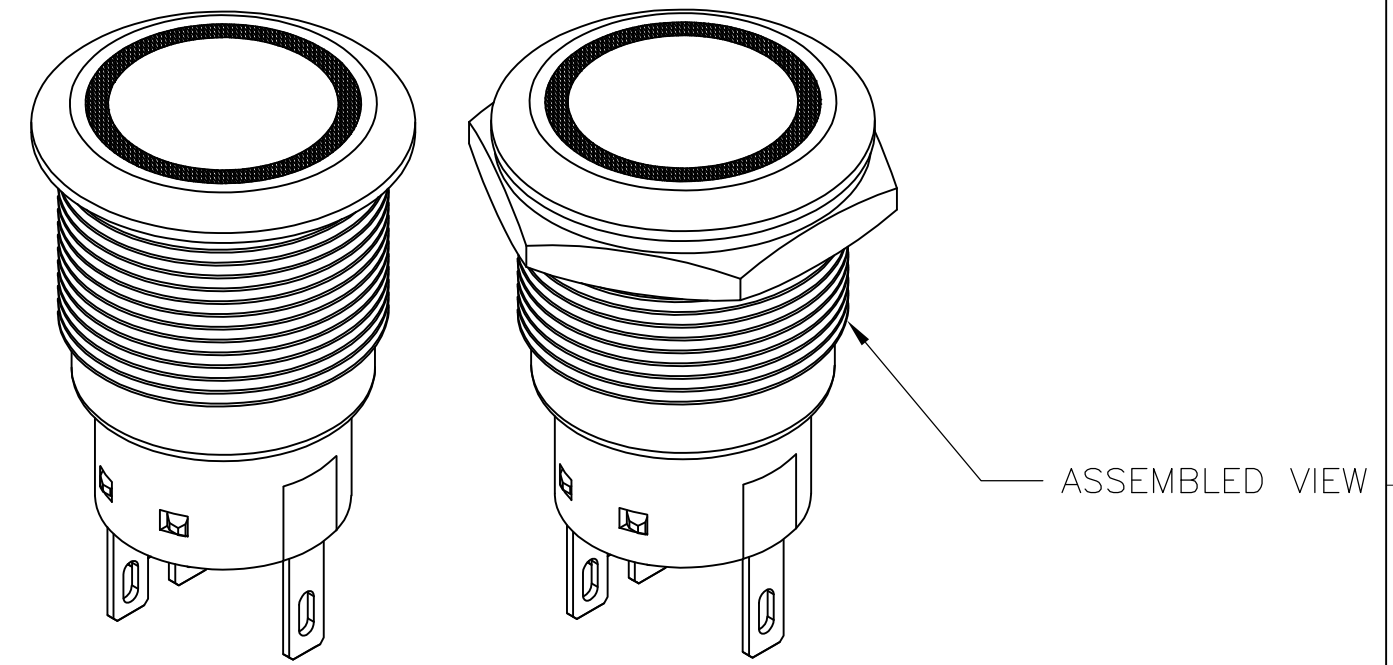
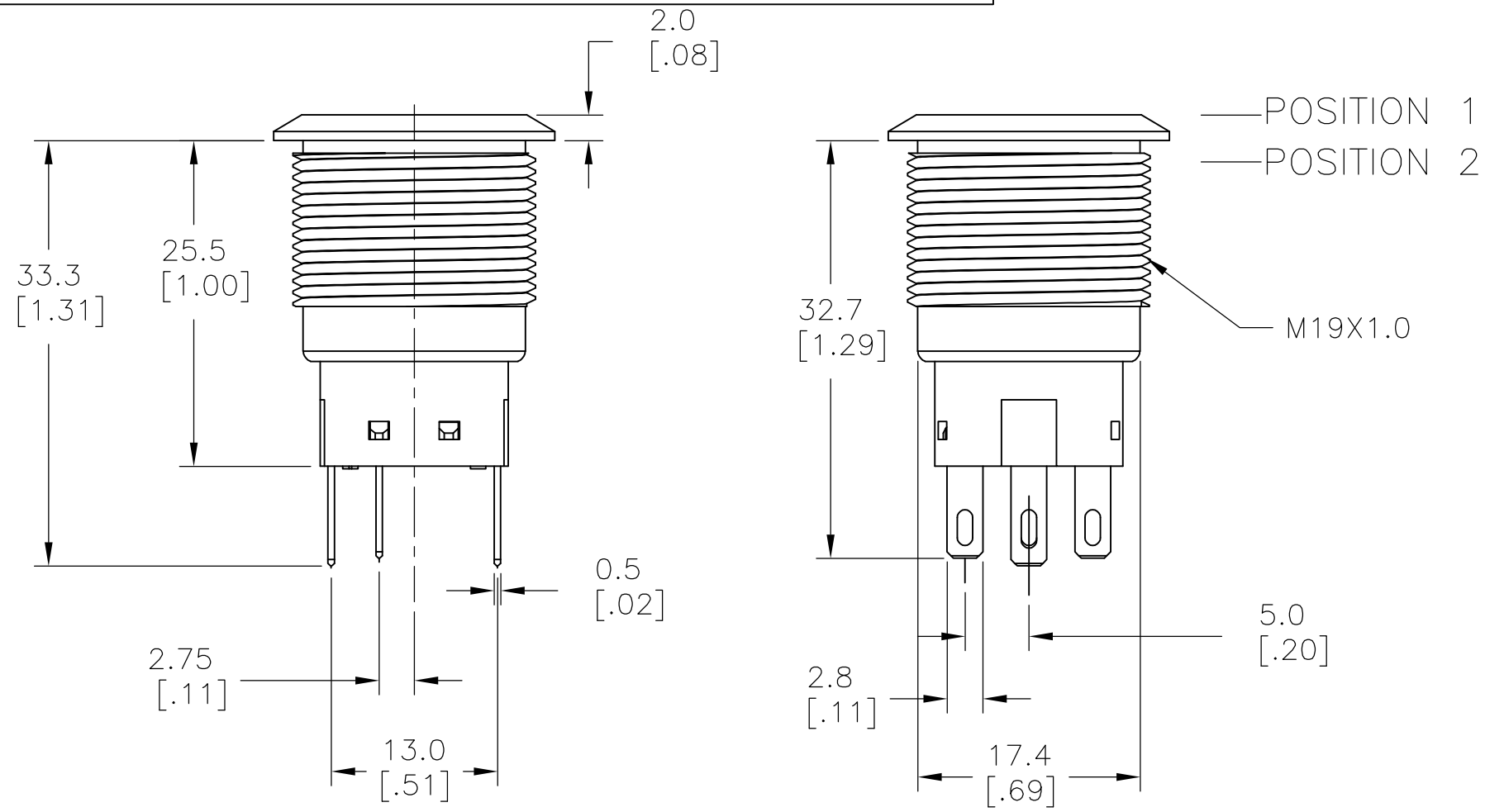


THIS DRAWING IS UNPUBLISHED. RELEASED FOR PUBLICATION  
 © COPYRIGHT - By - ALL RIGHTS RESERVED.

| REVISIONS |     |                           |           |       |
|-----------|-----|---------------------------|-----------|-------|
| P         | LTR | DESCRIPTION               | DATE      | APVD  |
| B         |     | REVISED PER ECR-16-007955 | 08JUN2016 | RS PO |



**SPECIFICATIONS**

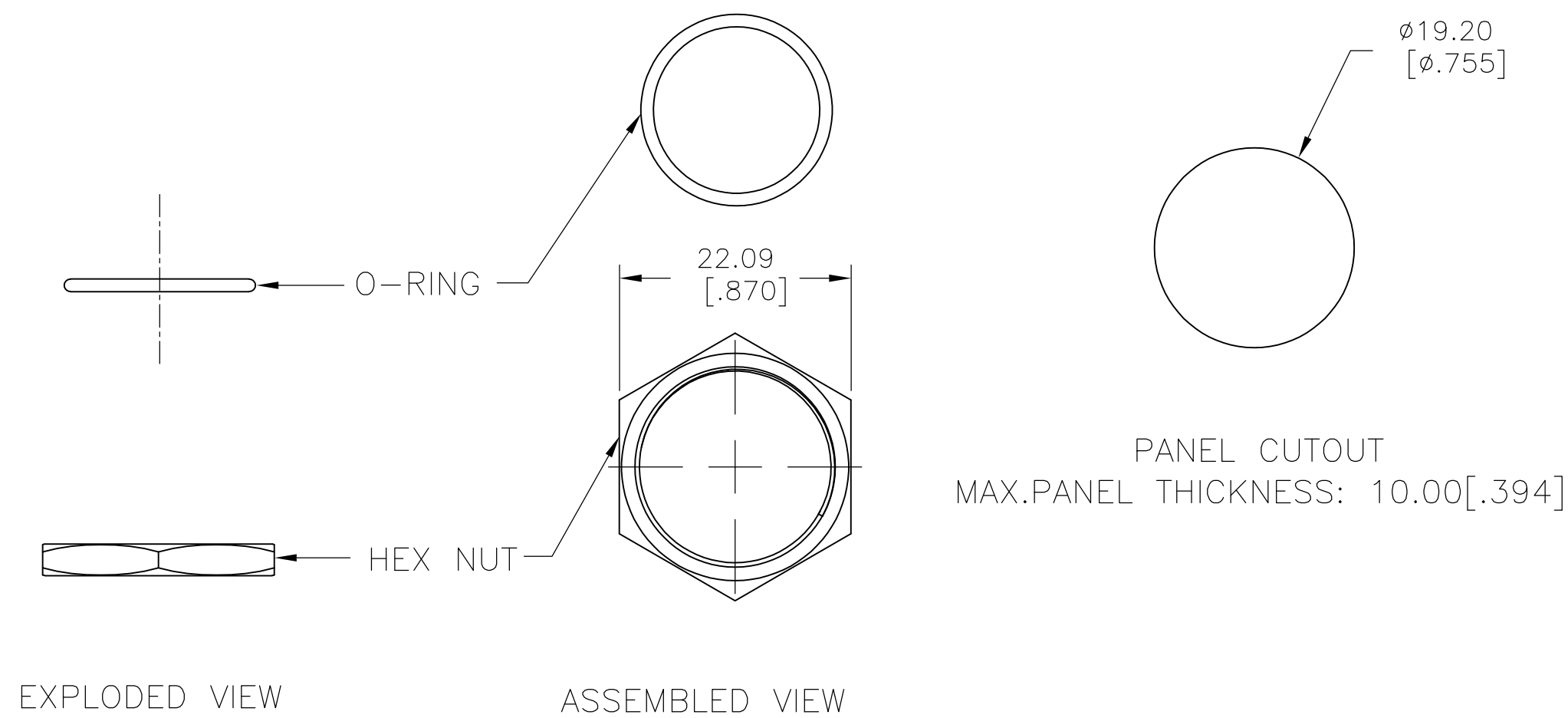
CONTACT RATING: SILVER: 3A @ 250 VAC RESISTIVE  
 GOLD: 0.4VA @ 20VDC OR PEAK AC  
 INSULATION RESISTANCE: 1,000MΩ MIN AT 500VDC  
 DIELECTRIC STRENGTH: 2,000V RMS @ SEA LEVEL  
 CONTACT RESISTANCE: 50 mΩ MAX @ 1A 12VDC (INITIAL VALUE)  
 ELECTRICAL LIFECYCLES: 50,000 MAKE AND BREAK CYCLES AT FULL LOAD

ACTUATION FORCE: SP: 2.5±1 NEWTON, DP: 3.5±1 NEWTON  
 ACTUATION TRAVEL: 3.2mm  
 SEALED PER IP67, IK10 (STAINLESS)  
 OPERATING TEMPERATURE: -20°C TO +55°C  
 MECHANICAL LIFECYCLES: MOMENTARY: 1,000,000 CYCLES  
 LOCKING: 500,000 CYCLES  
 HARDWARE TORQUE: 5-14 N-m

**MATERIALS**

BUSHING: STAINLESS STEEL  
 BASE: PBT (UL 94-V0), PC (UL 94-V2)  
 ACTUATOR: STAINLESS STEEL, PC  
 SEALING: O-RING (SILICONE)  
 TERMINAL/CONTACT: COPPER BASE, SILVER/GOLD PLATED  
 HEX NUT: BRASS BASE, NICKEL PLATED

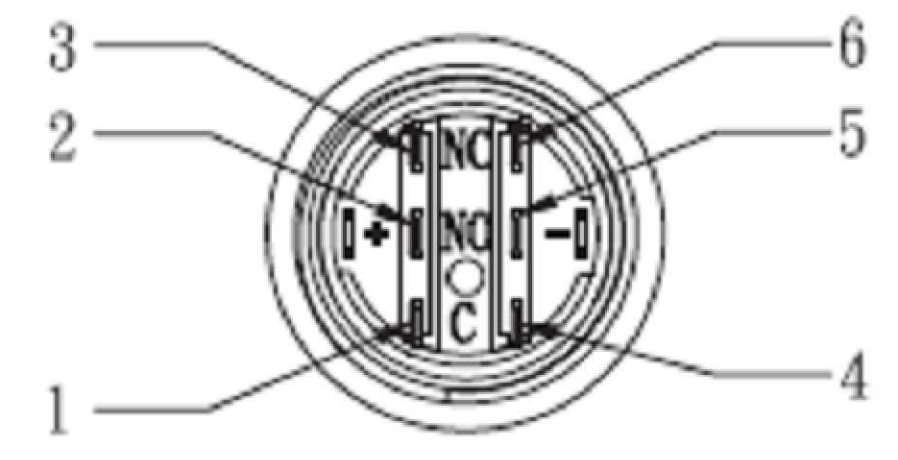
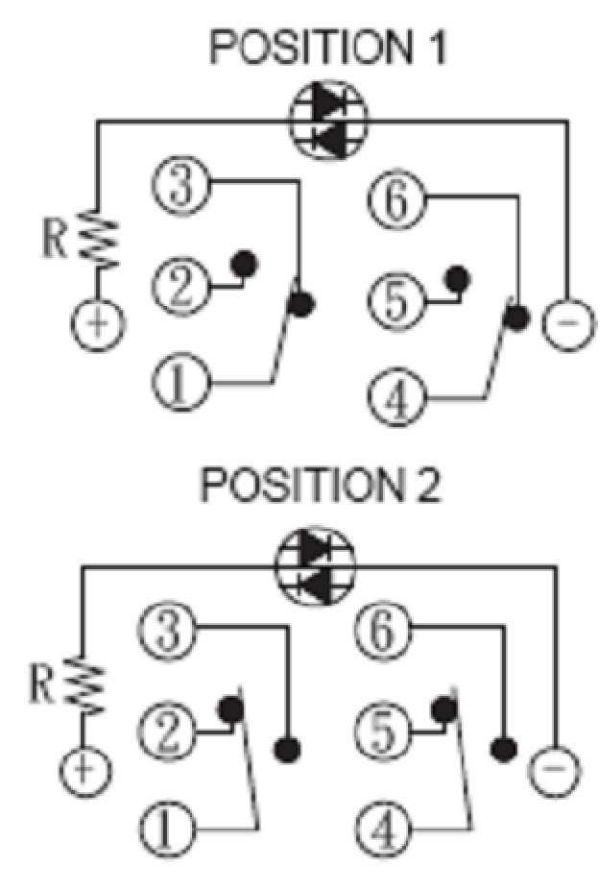
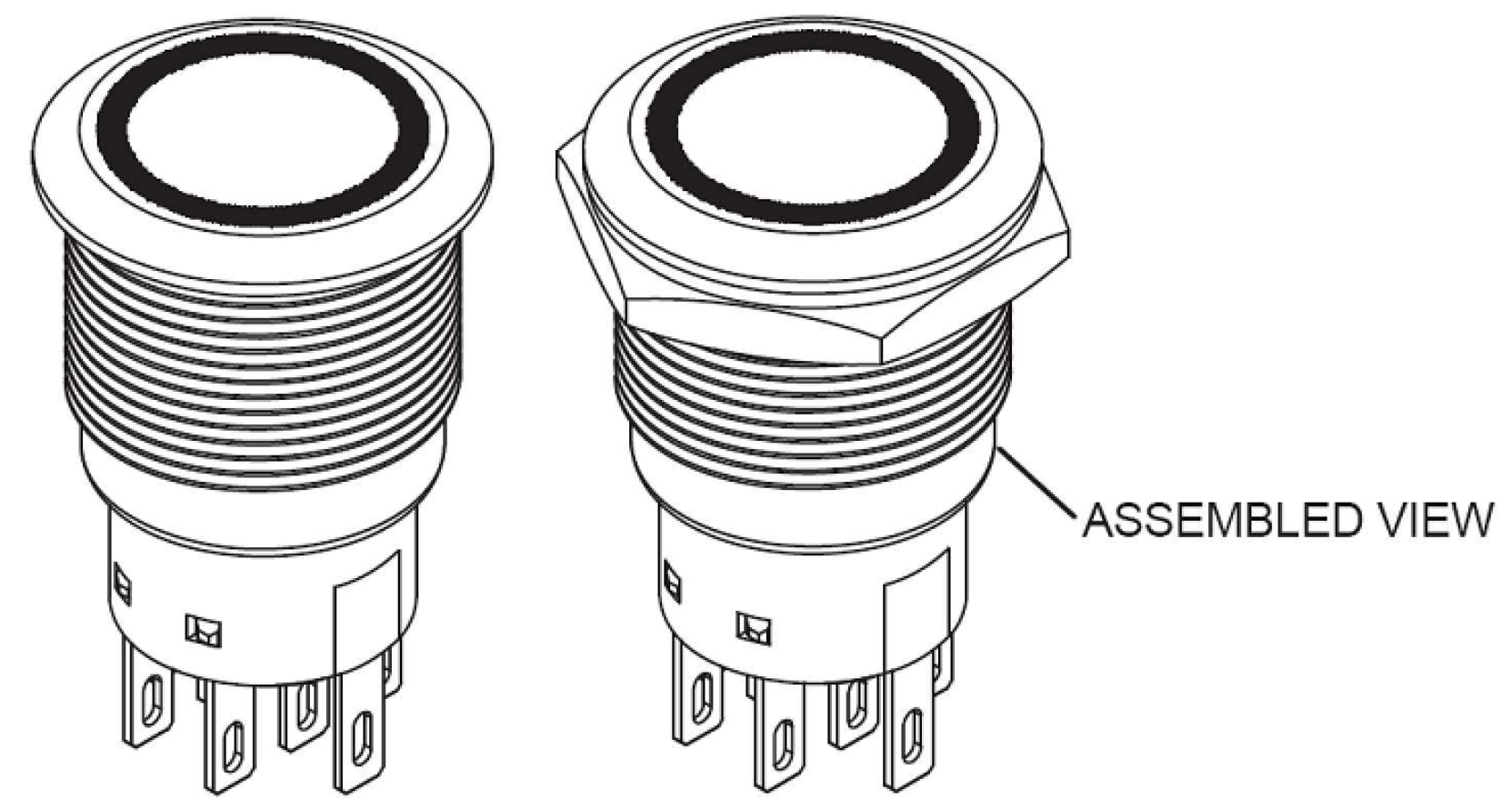
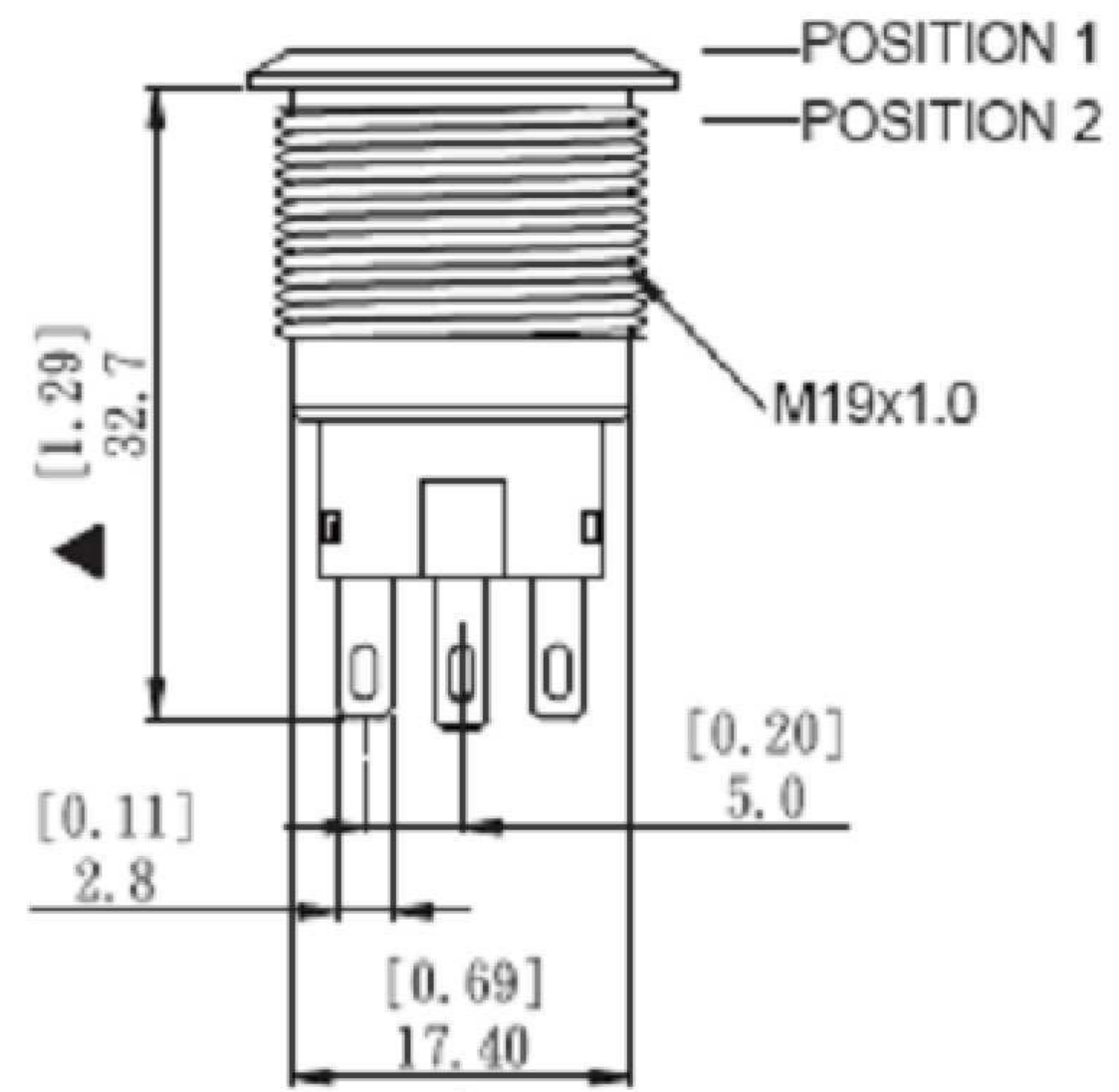
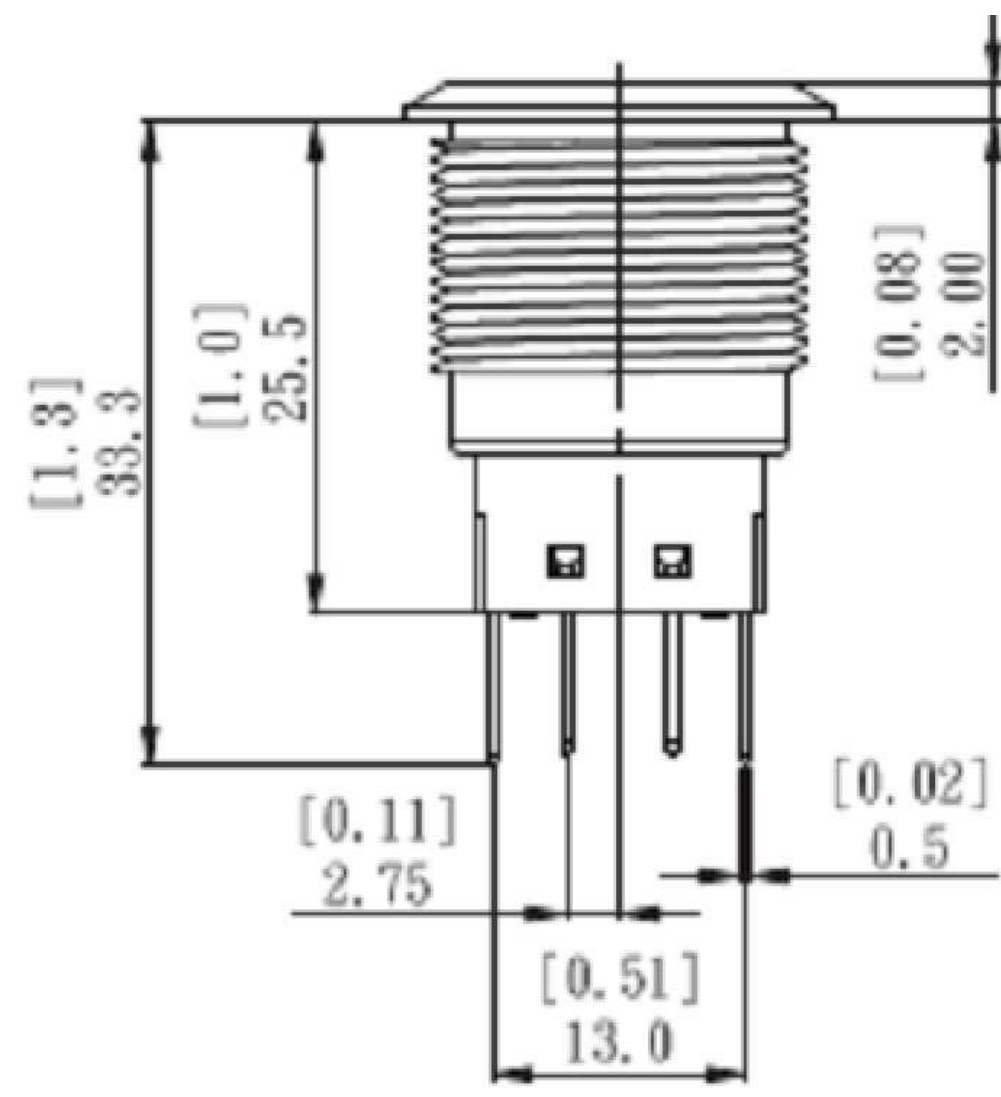
1 ALL MATERIAL AND FINISHES SHALL COMPLY WITH EU DIRECTIVE 2002/95/EC OF 27JAN2003 (ROHS)



|  |  |                                   |   |  |
|--|--|-----------------------------------|---|--|
| THIS DRAWING IS A CONTROLLED DOCUMENT. |  | DWN<br>NAGALAKSHMI K<br>08FEB2016 |   |  |
| DIMENSIONS:<br>mm [INCHES]             |  | CHK<br>HILL RYAN<br>08FEB2016     |   |  |
| TOLERANCES UNLESS OTHERWISE SPECIFIED: |  | APVD<br>HILL RYAN<br>08FEB2016    | NAME<br>ANTI-VANDAL SWITCH 19mm MOVING RING LED |  |
| 0 PLC ± -                              |  | PRODUCT SPEC                      | SIZE CAGE CODE DRAWING NO RESTRICTED TO         |  |
| 1 PLC ± -                              |  | APPLICATION SPEC                  | A2 00779 C=2213767                              |  |
| 2 PLC ± -                              |  |                                   | SCALE 1:1 SHEET 1 OF 4 REV B                    |  |
| 3 PLC ± -                              |  |                                   |   |  |
| 4 PLC ± -                              |  |                                   |   |  |
| ANGLES ± -                             |  |                                   |   |  |
| FINISH                                 |  | WEIGHT<br>0                       |   |  |
| MATERIAL                               |  | CUSTOMER DRAWING                  |   |  |

THIS DRAWING IS UNPUBLISHED. RELEASED FOR PUBLICATION  
 © COPYRIGHT - By - ALL RIGHTS RESERVED.

| REVISIONS |     |             |      |     |      |
|-----------|-----|-------------|------|-----|------|
| P         | LTR | DESCRIPTION | DATE | DWN | APVD |
| -         | -   | SEE SHEET 1 | -    | -   | -    |




|  |  |                                |  |           |
|--|--|--------------------------------|--|-----------|
| THIS DRAWING IS A CONTROLLED DOCUMENT. |  | DWN 08FEB2016<br>NAGALAKSHMI K |  |           |
| DIMENSIONS:<br>mm [INCHES]             |  | CHK 08FEB2016<br>HILL RYAN     |  |           |
| TOLERANCES UNLESS OTHERWISE SPECIFIED: |  | APVD 08FEB2016<br>HILL RYAN    | NAME<br>ANTI-VANDAL SWITCH 19mm<br>MOVING RING LED |           |
| 0 PLC ± -                              |  | PRODUCT SPEC                   | SIZE   | CAGE CODE |
| 1 PLC ± -                              |  | APPLICATION SPEC               | A2   | 00779     |
| 2 PLC ± -                              |  | WEIGHT                         | DRAWING NO<br>C=2213767                            |           |
| 3 PLC ± -                              |  | FINISH                         | RESTRICTED TO                                      |           |
| 4 PLC ± -                              |  | MATERIAL                       | SCALE 1:1 SHEET 2 of 4 REV B                       |           |
| ANGLES ± -                             |  | CUSTOMER DRAWING               |  |           |

THIS DRAWING IS UNPUBLISHED.      RELEASED FOR PUBLICATION  
 © COPYRIGHT - By -      ALL RIGHTS RESERVED.

| REVISIONS |     |             |      |     |      |
|-----------|-----|-------------|------|-----|------|
| P         | LTR | DESCRIPTION | DATE | DWN | APVD |
| -         | -   | SEE SHEET 1 | -    | -   | -    |


| POLE/THROW            | CONTACT | LED COLOR | LED VOLTAGE   | TE DESCRIPTIVE PN | TE PART NUMBER |
|-----------------------|---------|-----------|---------------|-------------------|----------------|
| SINGLE POLE-LOCKING   | GOLD    | BLUE      | 24V           | AV1911E724R04     | 4-2213767-0    |
|                       | SILVER  | BLUE      | 24V           | AV1911E724Q04     | 3-2213767-9    |
|                       | GOLD    | BLUE      | 12V           | AV1911E712R04     | 3-2213767-8    |
|                       | SILVER  | BLUE      | 12V           | AV1911E712Q04     | 3-2213767-7    |
|                       | GOLD    | GREEN     | 24V           | AV1911E624R04     | 3-2213767-6    |
|                       | SILVER  | GREEN     | 24V           | AV1911E624Q04     | 3-2213767-5    |
|                       | GOLD    | GREEN     | 12V           | AV1911E612R04     | 3-2213767-4    |
|                       | SILVER  | GREEN     | 12V           | AV1911E612Q04     | 3-2213767-3    |
|                       | GOLD    | YELLOW    | 24V           | AV1911E524R04     | 3-2213767-2    |
|                       | SILVER  | YELLOW    | 24V           | AV1911E524Q04     | 3-2213767-1    |
|                       | GOLD    | YELLOW    | 12V           | AV1911E512R04     | 3-2213767-0    |
|                       | SILVER  | YELLOW    | 12V           | AV1911E512Q04     | 2-2213767-9    |
|                       | GOLD    | RED       | 24V           | AV1911E324R04     | 2-2213767-8    |
|                       | SILVER  | RED       | 24V           | AV1911E324Q04     | 2-2213767-7    |
|                       | GOLD    | RED       | 12V           | AV1911E312R04     | 2-2213767-6    |
|                       | SILVER  | RED       | 12V           | AV1911E312Q04     | 2-2213767-5    |
| GOLD                  | WHITE   | 24V       | AV1911E124R04 | 2-2213767-4       |                |
| SILVER                | WHITE   | 24V       | AV1911E124Q04 | 2-2213767-3       |                |
| GOLD                  | WHITE   | 12V       | AV1911E112R04 | 2-2213767-2       |                |
| SILVER                | WHITE   | 12V       | AV1911E112Q04 | 2-2213767-1       |                |
| SINGLE POLE-MOMENTARY | GOLD    | BLUE      | 24V           | AV1910E724R04     | 2-2213767-0    |
|                       | SILVER  | BLUE      | 24V           | AV1910E724Q04     | 1-2213767-9    |
|                       | GOLD    | BLUE      | 12V           | AV1910E712R04     | 1-2213767-8    |
|                       | SILVER  | BLUE      | 12V           | AV1910E712Q04     | 1-2213767-7    |
|                       | GOLD    | GREEN     | 24V           | AV1910E624R04     | 1-2213767-6    |
|                       | SILVER  | GREEN     | 24V           | AV1910E624Q04     | 1-2213767-5    |
|                       | GOLD    | GREEN     | 12V           | AV1910E612R04     | 1-2213767-4    |
|                       | SILVER  | GREEN     | 12V           | AV1910E612Q04     | 1-2213767-3    |
|                       | GOLD    | YELLOW    | 24V           | AV1910E524R04     | 1-2213767-2    |
|                       | SILVER  | YELLOW    | 24V           | AV1910E524Q04     | 1-2213767-1    |
|                       | GOLD    | YELLOW    | 12V           | AV1910E512R04     | 1-2213767-0    |
|                       | SILVER  | YELLOW    | 12V           | AV1910E512Q04     | 2213767-9      |
|                       | GOLD    | RED       | 24V           | AV1910E324R04     | 2213767-8      |
|                       | SILVER  | RED       | 24V           | AV1910E324Q04     | 2213767-7      |
|                       | GOLD    | RED       | 12V           | AV1910E312R04     | 2213767-6      |
|                       | SILVER  | RED       | 12V           | AV1910E312Q04     | 2213767-5      |
| GOLD                  | WHITE   | 24V       | AV1910E124R04 | 2213767-4         |                |
| SILVER                | WHITE   | 24V       | AV1910E124Q04 | 2213767-3         |                |
| GOLD                  | WHITE   | 12V       | AV1910E112R04 | 2213767-2         |                |
| SILVER                | WHITE   | 12V       | AV1910E112Q04 | 2213767-1         |                |

|   |  |                                   |   |                    |                         |               |
|---|--|-----------------------------------|---|--------------------|-------------------------|---------------|
| THIS DRAWING IS A CONTROLLED DOCUMENT.  |  | DWN<br>NAGALAKSHMI K<br>08FEB2016 |  TE Connectivity |                    |                         |               |
| DIMENSIONS:<br>mm [INCHES]  |  | CHK<br>HILL RYAN<br>08FEB2016     |   |                    |                         |               |
| TOLERANCES UNLESS OTHERWISE SPECIFIED:<br>0 PLC ± -<br>1 PLC ± -<br>2 PLC ± -<br>3 PLC ± -<br>4 PLC ± -<br>ANGLES ± - |  | APVD<br>HILL RYAN<br>08FEB2016    | NAME<br>ANTI-VANDAL SWITCH 19mm<br>MOVING RING LED  |                    |                         |               |
| MATERIAL  |  | PRODUCT SPEC<br>APPLICATION SPEC  | SIZE<br>A2  | CAGE CODE<br>00779 | DRAWING NO<br>C-2213767 | RESTRICTED TO |
|   |  | WEIGHT<br>-                       | SCALE<br>1:1  |                    | SHEET<br>3 of 4         | REV<br>B      |
|   |  | CUSTOMER DRAWING                  |   |                    |                         |               |

THIS DRAWING IS UNPUBLISHED. RELEASED FOR PUBLICATION  
 © COPYRIGHT - By - ALL RIGHTS RESERVED.

| REVISIONS |     |             |      |     |      |
|-----------|-----|-------------|------|-----|------|
| P         | LTR | DESCRIPTION | DATE | DWN | APVD |
| -         | -   | SEE SHEET 1 | -    | -   | -    |

| POLE/THROW            | CONTACT | LED COLOR | LED VOLTAGE   | TE DESCRIPTIVE PN | TE PART NUMBER |
|-----------------------|---------|-----------|---------------|-------------------|----------------|
| DOUBLE POLE-LOCKING   | GOLD    | BLUE      | 24V           | AV1921E724R04     | 8-2213767-0    |
|                       | SILVER  | BLUE      | 24V           | AV1921E724Q04     | 7-2213767-9    |
|                       | GOLD    | BLUE      | 12V           | AV1921E712R04     | 7-2213767-8    |
|                       | SILVER  | BLUE      | 12V           | AV1921E712Q04     | 7-2213767-7    |
|                       | GOLD    | GREEN     | 24V           | AV1921E624R04     | 7-2213767-6    |
|                       | SILVER  | GREEN     | 24V           | AV1921E624Q04     | 7-2213767-5    |
|                       | GOLD    | GREEN     | 12V           | AV1921E612R04     | 7-2213767-4    |
|                       | SILVER  | GREEN     | 12V           | AV1921E612Q04     | 7-2213767-3    |
|                       | GOLD    | YELLOW    | 24V           | AV1921E524R04     | 7-2213767-2    |
|                       | SILVER  | YELLOW    | 24V           | AV1921E524Q04     | 7-2213767-1    |
|                       | GOLD    | YELLOW    | 12V           | AV1921E512R04     | 7-2213767-0    |
|                       | SILVER  | YELLOW    | 12V           | AV1921E512Q04     | 6-2213767-9    |
|                       | GOLD    | RED       | 24V           | AV1921E324R04     | 6-2213767-8    |
|                       | SILVER  | RED       | 24V           | AV1921E324Q04     | 6-2213767-7    |
|                       | GOLD    | RED       | 12V           | AV1921E312R04     | 6-2213767-6    |
|                       | SILVER  | RED       | 12V           | AV1921E312Q04     | 6-2213767-5    |
| DOUBLE POLE-MOMENTARY | GOLD    | WHITE     | 24V           | AV1921E124R04     | 6-2213767-4    |
|                       | SILVER  | WHITE     | 24V           | AV1921E124Q04     | 6-2213767-3    |
|                       | GOLD    | WHITE     | 12V           | AV1921E112R04     | 6-2213767-2    |
|                       | SILVER  | WHITE     | 12V           | AV1921E112Q04     | 6-2213767-1    |
|                       | GOLD    | BLUE      | 24V           | AV1920E724R04     | 6-2213767-0    |
|                       | SILVER  | BLUE      | 24V           | AV1920E724Q04     | 5-2213767-9    |
|                       | GOLD    | BLUE      | 12V           | AV1920E712R04     | 5-2213767-8    |
|                       | SILVER  | BLUE      | 12V           | AV1920E712Q04     | 5-2213767-7    |
|                       | GOLD    | GREEN     | 24V           | AV1920E624R04     | 5-2213767-6    |
|                       | SILVER  | GREEN     | 24V           | AV1920E624Q04     | 5-2213767-5    |
|                       | GOLD    | GREEN     | 12V           | AV1920E612R04     | 5-2213767-4    |
|                       | SILVER  | GREEN     | 12V           | AV1920E612Q04     | 5-2213767-3    |
|                       | GOLD    | YELLOW    | 24V           | AV1920E524R04     | 5-2213767-2    |
|                       | SILVER  | YELLOW    | 24V           | AV1920E524Q04     | 5-2213767-1    |
|                       | GOLD    | YELLOW    | 12V           | AV1920E512R04     | 5-2213767-0    |
|                       | SILVER  | YELLOW    | 12V           | AV1920E512Q04     | 4-2213767-9    |
| GOLD                  | RED     | 24V       | AV1920E324R04 | 4-2213767-8       |                |
| SILVER                | RED     | 24V       | AV1920E324Q04 | 4-2213767-7       |                |
| GOLD                  | RED     | 12V       | AV1920E312R04 | 4-2213767-6       |                |
| SILVER                | RED     | 12V       | AV1920E312Q04 | 4-2213767-5       |                |
| GOLD                  | WHITE   | 24V       | AV1920E124R04 | 4-2213767-4       |                |
| SILVER                | WHITE   | 24V       | AV1920E124Q04 | 4-2213767-3       |                |
| GOLD                  | WHITE   | 12V       | AV1920E112R04 | 4-2213767-2       |                |
| SILVER                | WHITE   | 12V       | AV1920E112Q04 | 4-2213767-1       |                |

|   |  |                                   |   |                    |
|---|--|-----------------------------------|---|--------------------|
| THIS DRAWING IS A CONTROLLED DOCUMENT.                                      |  | DWN<br>NAGALAKSHMI K<br>08FEB2016 |  TE Connectivity |                    |
| DIMENSIONS:<br>mm [INCHES]  |  | CHK<br>HILL RYAN<br>08FEB2016     |   |                    |
| TOLERANCES UNLESS OTHERWISE SPECIFIED:                                      |  | APVD<br>HILL RYAN<br>08FEB2016    | NAME<br>ANTI-VANDAL SWITCH 19mm<br>MOVING RING LED  |                    |
| 0 PLC ± -<br>1 PLC ± -<br>2 PLC ± -<br>3 PLC ± -<br>4 PLC ± -<br>ANGLES ± - |  | PRODUCT SPEC<br>-                 | DRAWING NO<br>A2 00779 C=2213767  |                    |
| MATERIAL<br>-   |  | FINISH<br>-                       | WEIGHT<br>-   | RESTRICTED TO<br>- |
| CUSTOMER DRAWING  |  |                                   | SCALE<br>1:1  | SHEET<br>4 OF 4    |

## X-ON Electronics

Largest Supplier of Electrical and Electronic Components

*Click to view similar products for [Pushbutton Switches](#) category:*

*Click to view products by [TE Connectivity](#) manufacturer:*

Other Similar products are found below :

[LW1L-M1C10V-A](#) [LW2L-A1C20M-GD](#) [LW2L-M1C20M-A](#) [60324L](#) [M7E-HRN2](#) [67021K512](#) [67081K512X](#) [701PB580](#) [719-5504-000](#)  
[MDPSSGLFS](#) [810KSV30B](#) [FLT 2U EE 01A](#) [MML21KA3ABK](#) [MML23KA3AC05K-001](#) [MML23KW3AA01W](#) [8418K2](#) [8646AB6X718UL](#)  
[8646ABUL](#) [FSDWH](#) [9001KXRK](#) [9001T8BK](#) [9533CD4+U574+U4922](#) [1203MRA](#) [A22EM01S](#) [A595](#) [12037A2ULCSA](#) [1203A2UL](#)  
[ABD122N-B](#) [1211390004](#) [ABN111-Y](#) [ABN400-R](#) [1211500044](#) [1211580012](#) [1212MRA](#) [1232A6NF](#) [1241.1183.7047](#) [1241.2511](#) [1241.3428](#)  
[1223A2ULCSA](#) [1223MRA](#) [1232AX2119](#) [1241.1183.8000](#) [1241.1183.8029](#) [1241.2506](#) [1241.2606](#) [12MA6](#) [1301940184](#)  
[RELBARF6X10\(PLASTIC\)](#) [13435AG](#) [13440AD2G25X822+U4546](#)