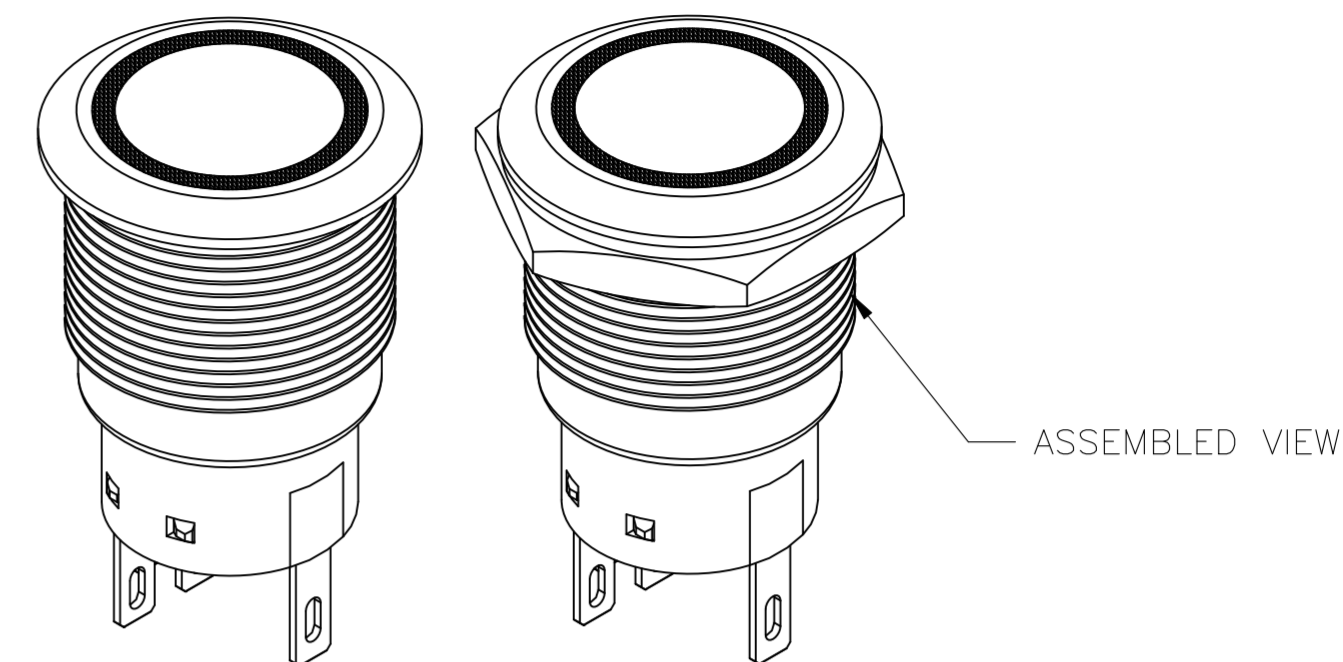
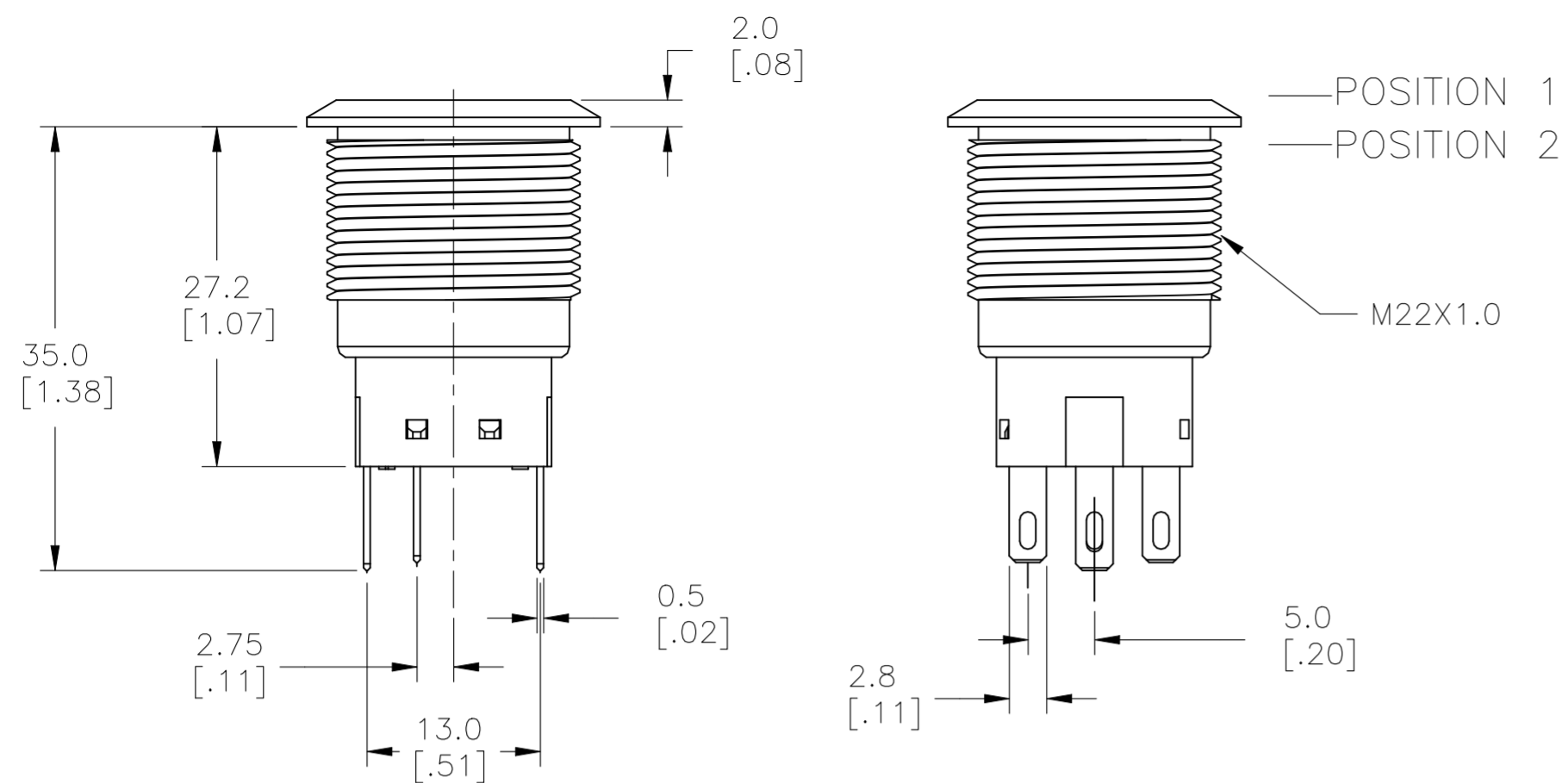


THIS DRAWING IS UNPUBLISHED. RELEASED FOR PUBLICATION
© COPYRIGHT - By - ALL RIGHTS RESERVED.

| REVISIONS | | | | | |
|-----------|-----|---------------------------|-----------|-----|------|
| P | LTR | DESCRIPTION | DATE | DWN | APVD |
| B1 | | REVISED PER ECR-21-006029 | 02SEP2021 | VG | PO |



SPECIFICATIONS

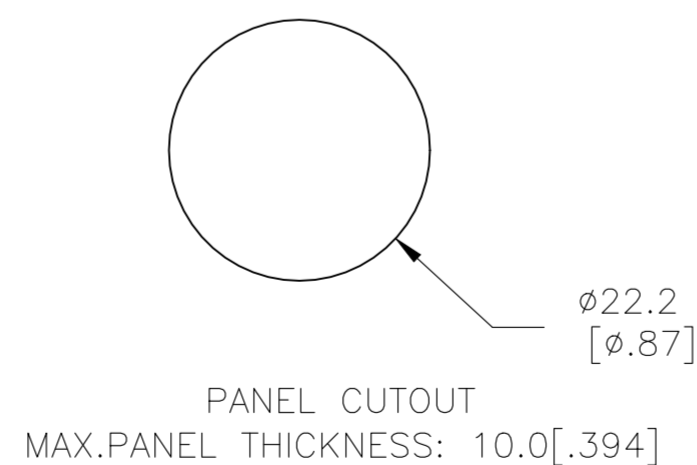
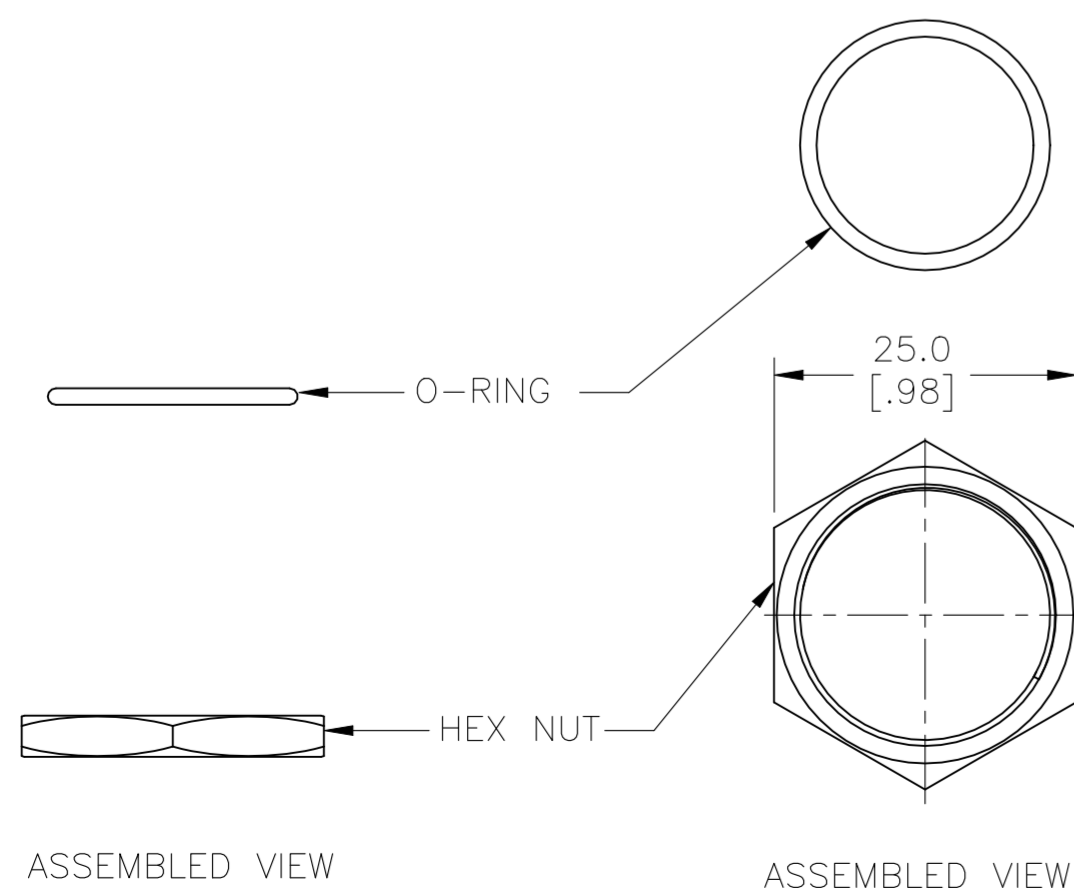
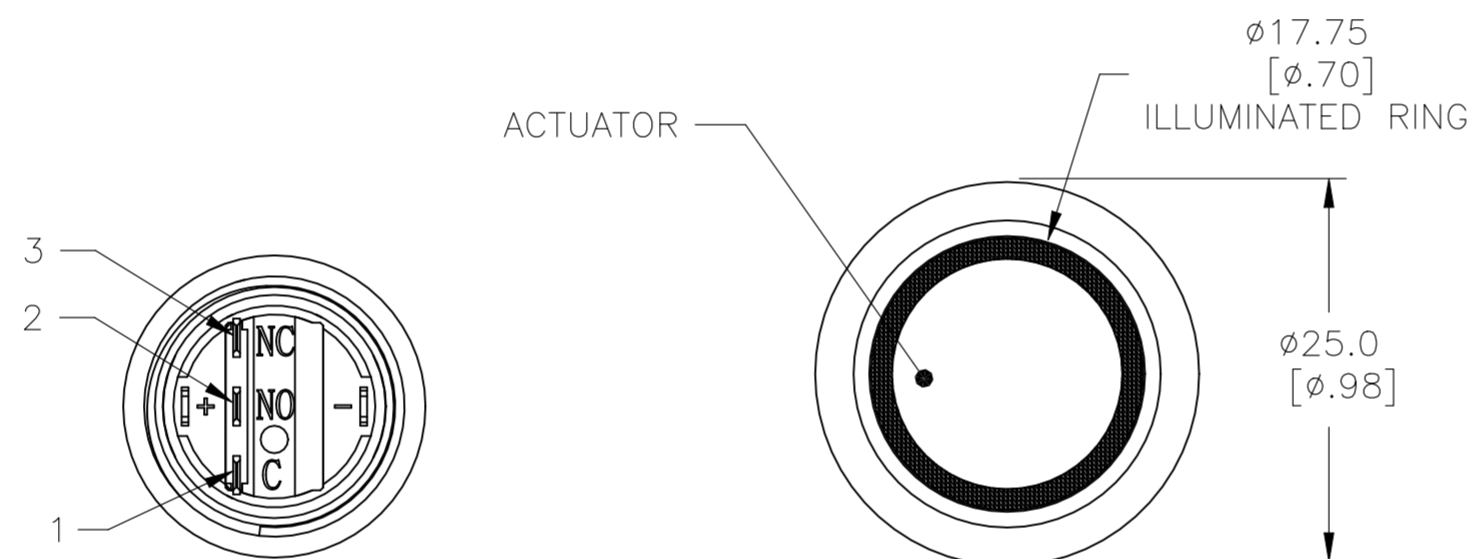
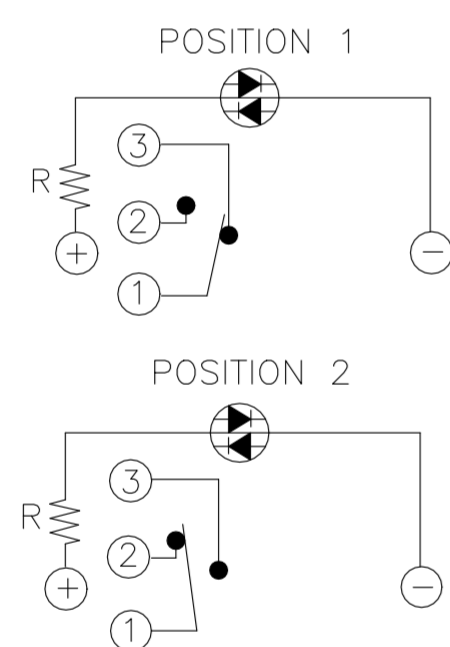
CONTACT RATING: SILVER: 3A @ 250 VAC RESISTIVE
 GOLD: 0.4VA @ 20VDC OR PEAK AC
 INSULATION RESISTANCE: 1,000MΩ MIN AT 500VDC
 DIELECTRIC STRENGTH: 2,000V RMS @ SEA LEVEL
 CONTACT RESISTANCE: 50 mΩ MAX @ 1A 12VDC (INITIAL VALUE)
 ELECTRICAL LIFECYCLES: 50,000 MAKE AND BREAK CYCLES AT FULL LOAD

ACTUATION FORCE: SP: 2.5±1 NEWTON, DP: 3.5±1 NEWTON
 ACTUATION TRAVEL: 3.2MM
 SEALED PER IP67, IK10 (STAINLESS)
 OPERATING TEMPERATURE: -20°C TO +55°C
 MECHANICAL LIFECYCLES: MOMENTARY: 1,000,000 CYCLES
 LOCKING: 500,000 CYCLES
 HARDWARE TORQUE: 5-14 N-m

MATERIALS

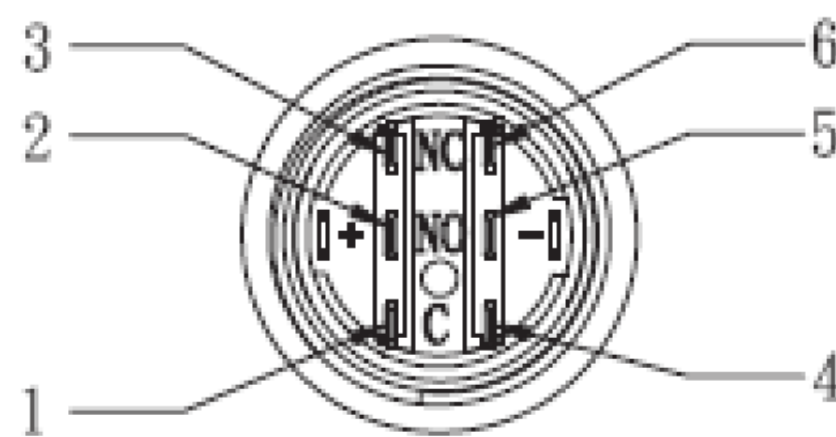
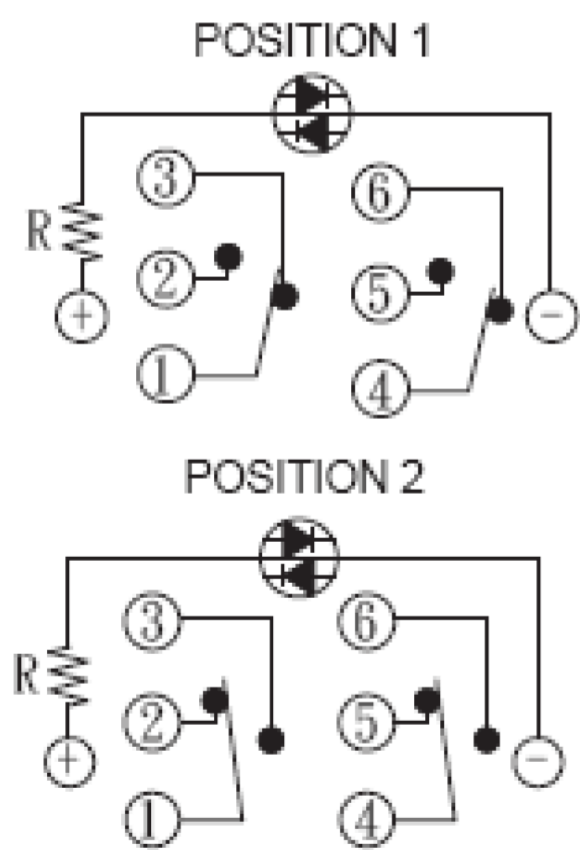
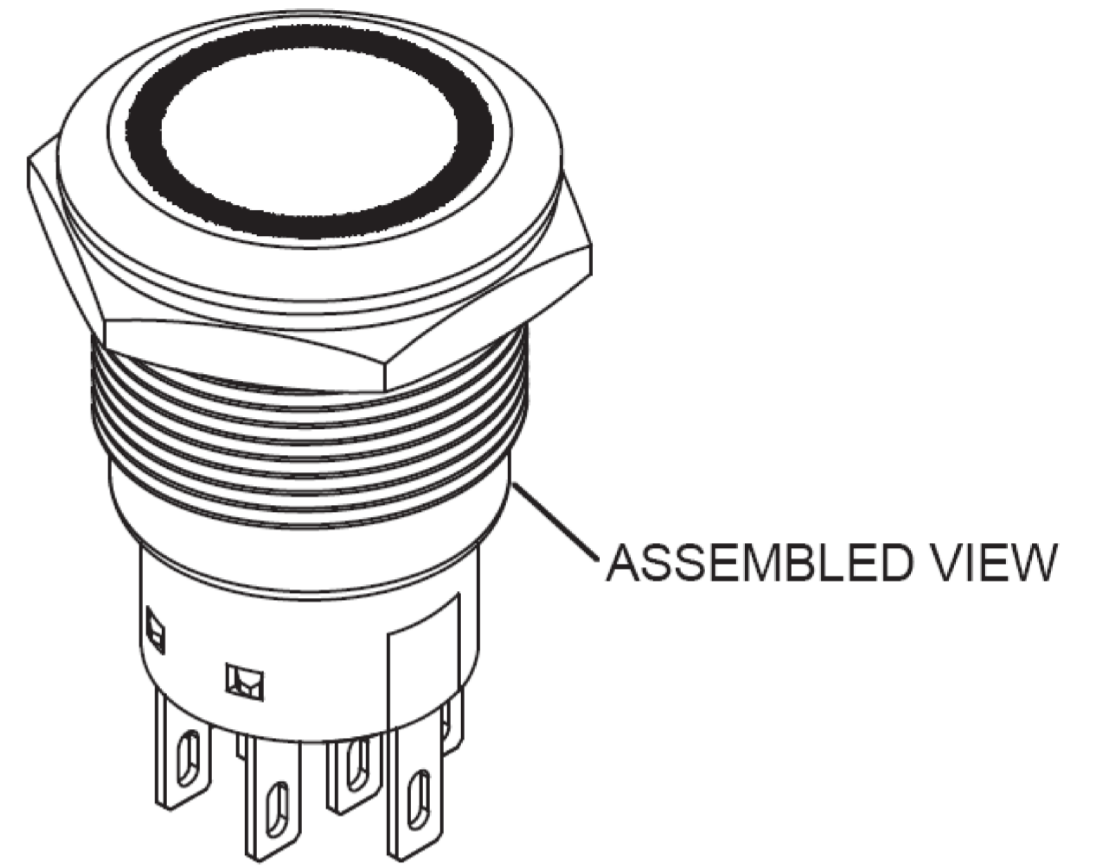
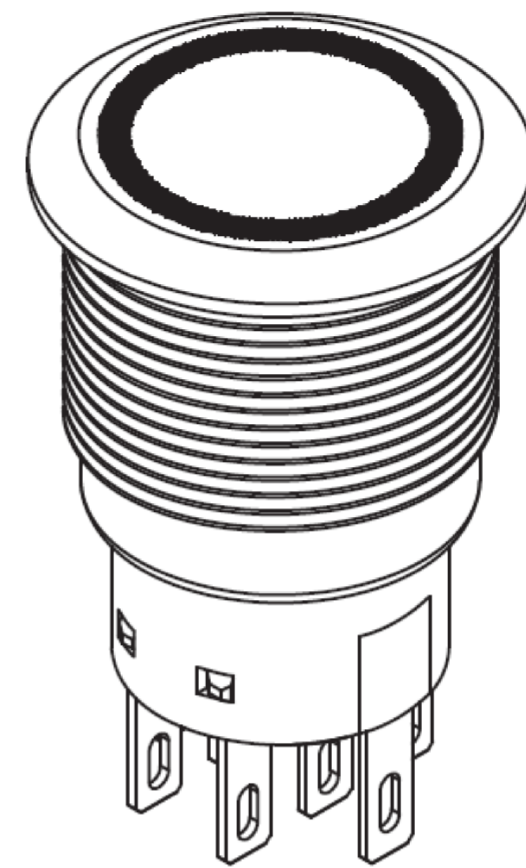
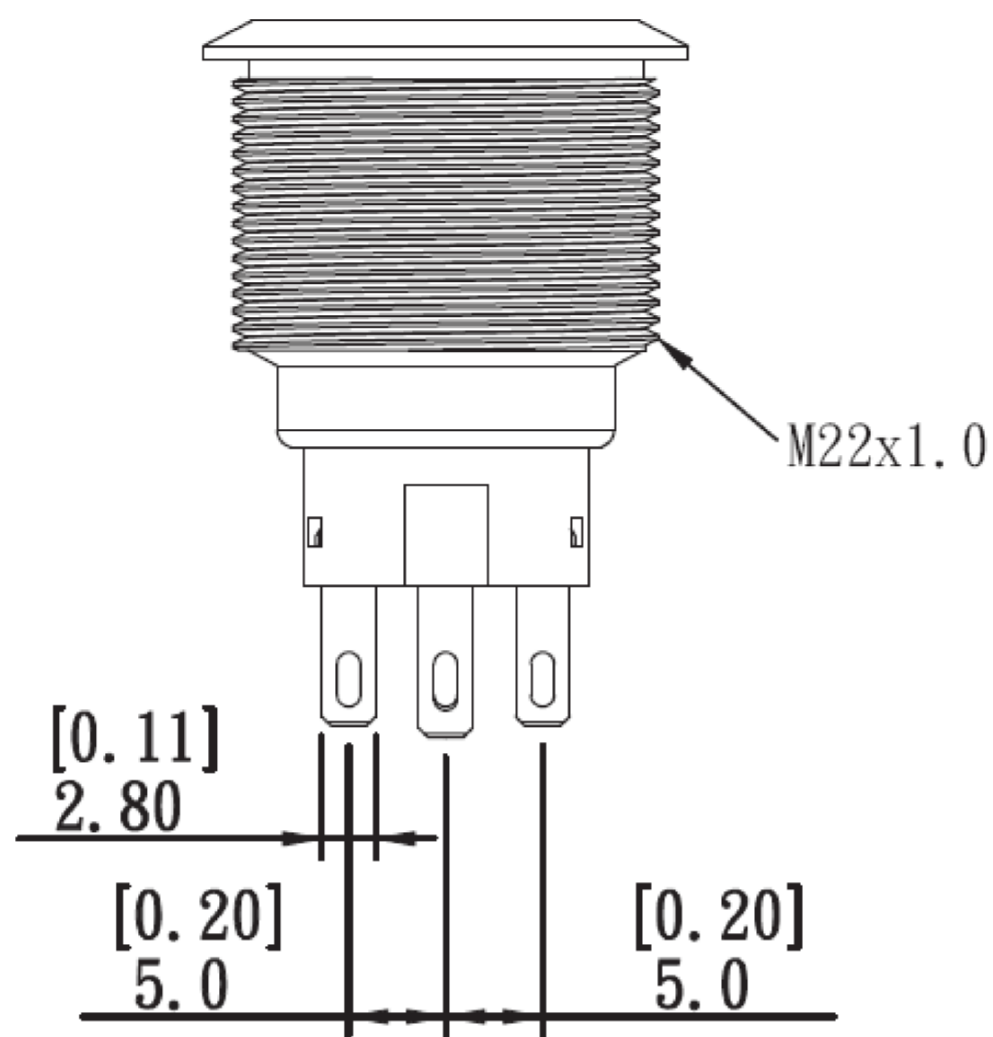
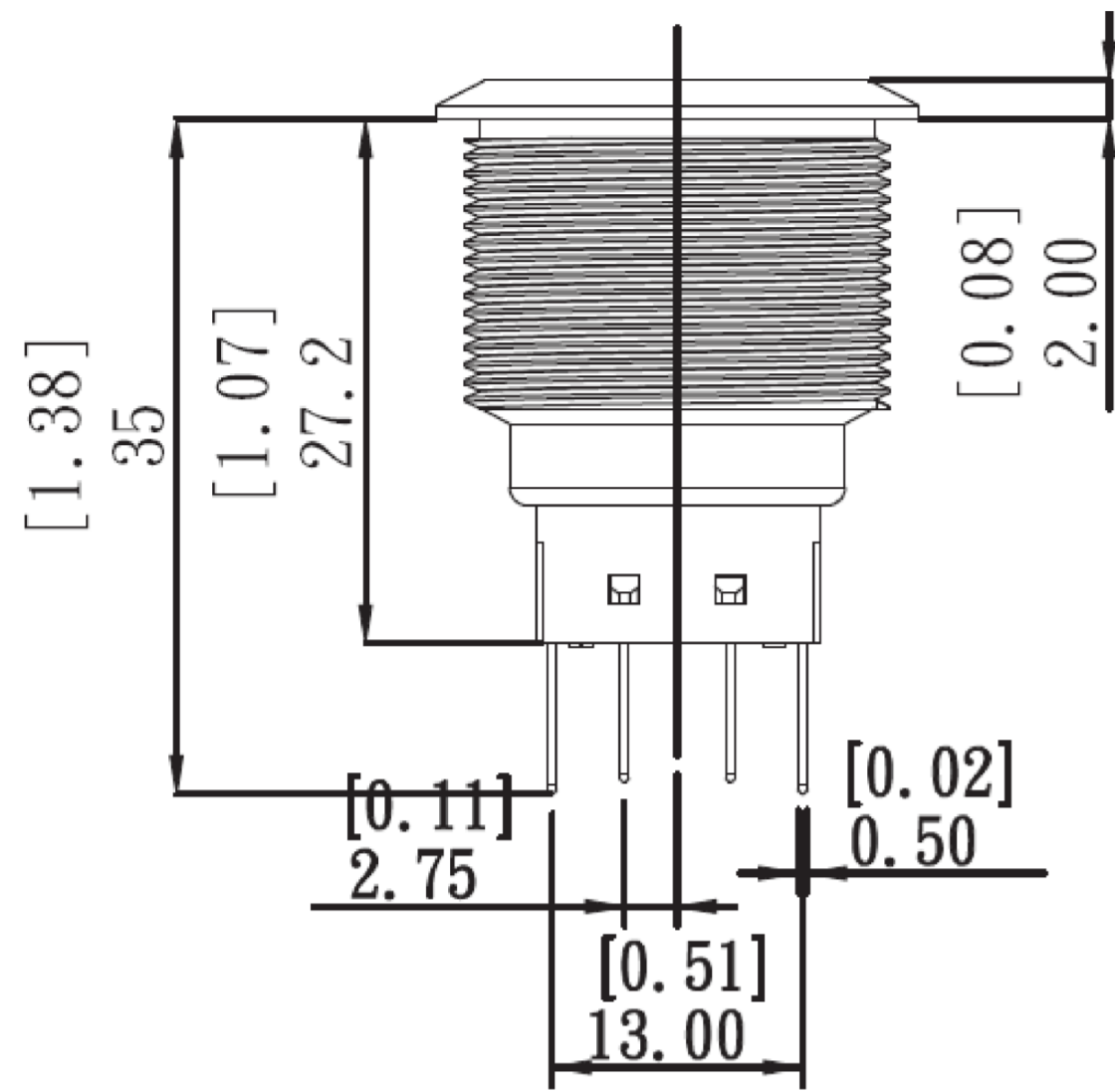
BUSHING: STAINLESS STEEL
 BASE: PBT (UL 94-V0), PC (UL 94-V2)
 ACTUATOR: STAINLESS STEEL, PC
 SEALING: O-RING (SILICONE)
 TERMINAL/CONTACT: COPPER BASE, SILVER/GOLD PLATED
 HEX NUT: BRASS BASE, NICKEL PLATED

1 ALL MATERIAL AND FINISHES SHALL COMPLY WITH EU DIRECTIVE 2002/95/EC OF 27JAN2003 (ROHS)



| | | | | |
|---|--|-----------------------------------|--|-------------------------|
| THIS DRAWING IS A CONTROLLED DOCUMENT. | | DWN NAGALAKSHMI K 09FEB2016 | STE TE Connectivity | |
| DIMENSIONS: mm [INCHES] | | CHK HILL RYAN 09FEB2016 | | |
| TOLERANCES UNLESS OTHERWISE SPECIFIED: | | APVD HILL RYAN 09FEB2016 | NAME ANTI-VANDAL SWITCH 22mm MOVING RING LED | |
| 0 PLC ± - 1 PLC ± - 2 PLC ± - 3 PLC ± - 4 PLC ± - ANGLES ± - | | PRODUCT SPEC | SIZE A2 | |
| MATERIAL | | APPLICATION SPEC | CAGE CODE 00779 | DRAWING NO C=2213772 |
| FINISH | | WEIGHT 0 | RESTRICTED TO | |
| | | CUSTOMER DRAWING | SCALE 1:1 | SHEET 1 OF 4 |
| | | | REV B1 | |

| REVISIONS | | | | | |
|-----------|-----|-------------|------|-----|------|
| P | LTR | DESCRIPTION | DATE | DWN | APVD |
| - | - | SEE SHEET 1 | - | - | - |




| | | | | | | | | | | | | | | | | | | | | | | | | | | | | |
|---|--------|-----------------------------------|--|-------------------------|---|---|-----|---|---|---|-----|---|---|---|-----|---|---|---|-----|---|---|--|--------|---|---|-------------------|------------|--------------------|
| THIS DRAWING IS A CONTROLLED DOCUMENT. | | DWN NAGALAKSHMI K 09FEB2016 | | | | | | | | | | | | | | | | | | | | | | | | | | |
| DIMENSIONS: mm [INCHES] | | CHK HILL RYAN 09FEB2016 | | | | | | | | | | | | | | | | | | | | | | | | | | |
| TOLERANCES UNLESS OTHERWISE SPECIFIED: | | APVD HILL RYAN 09FEB2016 | NAME ANTI-VANDAL SWITCH 22mm MOVING RING LED | | | | | | | | | | | | | | | | | | | | | | | | | |
| <table border="1"> <tr><td>0</td><td>PLC</td><td>±</td><td>-</td></tr> <tr><td>1</td><td>PLC</td><td>±</td><td>-</td></tr> <tr><td>2</td><td>PLC</td><td>±</td><td>-</td></tr> <tr><td>3</td><td>PLC</td><td>±</td><td>-</td></tr> <tr><td>4</td><td>PLC</td><td>±</td><td>-</td></tr> <tr><td></td><td>ANGLES</td><td>±</td><td>-</td></tr> </table> | | 0 | PLC | ± | - | 1 | PLC | ± | - | 2 | PLC | ± | - | 3 | PLC | ± | - | 4 | PLC | ± | - | | ANGLES | ± | - | PRODUCT SPEC - | SIZE A2 | CAGE CODE 00779 |
| 0 | PLC | ± | - | | | | | | | | | | | | | | | | | | | | | | | | | |
| 1 | PLC | ± | - | | | | | | | | | | | | | | | | | | | | | | | | | |
| 2 | PLC | ± | - | | | | | | | | | | | | | | | | | | | | | | | | | |
| 3 | PLC | ± | - | | | | | | | | | | | | | | | | | | | | | | | | | |
| 4 | PLC | ± | - | | | | | | | | | | | | | | | | | | | | | | | | | |
| | ANGLES | ± | - | | | | | | | | | | | | | | | | | | | | | | | | | |
| MATERIAL - | | FINISH - | WEIGHT - | DRAWING NO C=2213772 | | | | | | | | | | | | | | | | | | | | | | | | |
| CUSTOMER DRAWING | | | SCALE 1:1 | SHEET 2 OF 4 | | | | | | | | | | | | | | | | | | | | | | | | |
| | | | RESTRICTED TO - | REV B1 | | | | | | | | | | | | | | | | | | | | | | | | |

THIS DRAWING IS UNPUBLISHED. RELEASED FOR PUBLICATION
 © COPYRIGHT - By - ALL RIGHTS RESERVED.

| REVISIONS | | | | | |
|-----------|-----|-------------|------|-----|------|
| P | LTR | DESCRIPTION | DATE | DWN | APVD |
| - | - | SEE SHEET 1 | - | - | - |

| POLE/THROW | CONTACT | LED COLOR | LED VOLTAGE | TE DESCRIPTIVE PN | TE PART NUMBER |
|-----------------------|---------|-----------|-------------|-------------------|----------------|
| SINGLE POLE-LOCKING | GOLD | BLUE | 24V | AV2211E724R04 | 4-2213772-0 |
| | SILVER | BLUE | 24V | AV2211E724Q04 | 3-2213772-9 |
| | GOLD | BLUE | 12V | AV2211E712R04 | 3-2213772-8 |
| | SILVER | BLUE | 12V | AV2211E712Q04 | 3-2213772-7 |
| | GOLD | GREEN | 24V | AV2211E624R04 | 3-2213772-6 |
| | SILVER | GREEN | 24V | AV2211E624Q04 | 3-2213772-5 |
| | GOLD | GREEN | 12V | AV2211E612R04 | 3-2213772-4 |
| | SILVER | GREEN | 12V | AV2211E612Q04 | 3-2213772-3 |
| | GOLD | YELLOW | 24V | AV2211E524R04 | 3-2213772-2 |
| | SILVER | YELLOW | 24V | AV2211E524Q04 | 3-2213772-1 |
| | GOLD | YELLOW | 12V | AV2211E512R04 | 3-2213772-0 |
| | SILVER | YELLOW | 12V | AV2211E512Q04 | 2-2213772-9 |
| | GOLD | RED | 24V | AV2211E324R04 | 2-2213772-8 |
| | SILVER | RED | 24V | AV2211E324Q04 | 2-2213772-7 |
| | GOLD | RED | 12V | AV2211E312R04 | 2-2213772-6 |
| | SILVER | RED | 12V | AV2211E312Q04 | 2-2213772-5 |
| | GOLD | WHITE | 24V | AV2211E124R04 | 2-2213772-4 |
| | SILVER | WHITE | 24V | AV2211E124Q04 | 2-2213772-3 |
| | GOLD | WHITE | 12V | AV2211E112R04 | 2-2213772-2 |
| | SILVER | WHITE | 12V | AV2211E112Q04 | 2-2213772-1 |
| SINGLE POLE-MOMENTARY | GOLD | BLUE | 24V | AV2210E724R04 | 2-2213772-0 |
| | SILVER | BLUE | 24V | AV2210E724Q04 | 1-2213772-9 |
| | GOLD | BLUE | 12V | AV2210E712R04 | 1-2213772-8 |
| | SILVER | BLUE | 12V | AV2210E712Q04 | 1-2213772-7 |
| | GOLD | GREEN | 24V | AV2210E624R04 | 1-2213772-6 |
| | SILVER | GREEN | 24V | AV2210E624Q04 | 1-2213772-5 |
| | GOLD | GREEN | 12V | AV2210E612R04 | 1-2213772-4 |
| | SILVER | GREEN | 12V | AV2210E612Q04 | 1-2213772-3 |
| | GOLD | YELLOW | 24V | AV2210E524R04 | 1-2213772-2 |
| | SILVER | YELLOW | 24V | AV2210E524Q04 | 1-2213772-1 |
| | GOLD | YELLOW | 12V | AV2210E512R04 | 1-2213772-0 |
| | SILVER | YELLOW | 12V | AV2210E512Q04 | 2213772-9 |
| | GOLD | RED | 24V | AV2210E324R04 | 2213772-8 |
| | SILVER | RED | 24V | AV2210E324Q04 | 2213772-7 |
| | GOLD | RED | 12V | AV2210E312R04 | 2213772-6 |
| | SILVER | RED | 12V | AV2210E312Q04 | 2213772-5 |
| | GOLD | WHITE | 24V | AV2210E124R04 | 2213772-4 |
| | SILVER | WHITE | 24V | AV2210E124Q04 | 2213772-3 |
| | GOLD | WHITE | 12V | AV2210E112R04 | 2213772-2 |
| | SILVER | WHITE | 12V | AV2210E112Q04 | 2213772-1 |

| | | | | | |
|---|--|-----------------------------------|---|--------------------|----------------------------|
| THIS DRAWING IS A CONTROLLED DOCUMENT. | | DWN NAGALAKSHMI K 09FEB2016 |  TE Connectivity | | |
| DIMENSIONS: mm [INCHES] | | CHK HILL RYAN 09FEB2016 | | | |
| TOLERANCES UNLESS OTHERWISE SPECIFIED: | | APVD HILL RYAN 09FEB2016 | NAME ANTI-VANDAL SWITCH 22mm MOVING RING LED | | |
| 0 PLC ± - 1 PLC ± - 2 PLC ± - 3 PLC ± - 4 PLC ± - ANGLES ± - | | PRODUCT SPEC APPLICATION SPEC | SIZE A2 | CAGE CODE 00779 | DRAWING NO C-2213772 |
| MATERIAL | | WEIGHT - | SCALE 1:1 | SHEET 3 of 4 | RESTRICTED TO REV B1 |
| CUSTOMER DRAWING | | | | | |

D

D

C

C

B

2213772

B


A

A

THIS DRAWING IS UNPUBLISHED. RELEASED FOR PUBLICATION
 © COPYRIGHT - By - ALL RIGHTS RESERVED.

| REVISIONS | | | | | |
|-----------|-----|-------------|------|-----|------|
| P | LTR | DESCRIPTION | DATE | DWN | APVD |
| - | - | SEE SHEET 1 | - | - | - |

| POLE/THROW | CONTACT | LED COLOR | LED VOLTAGE | TE DESCRIPTIVE PN | TE PART NUMBER |
|-----------------------|---------|-----------|---------------|-------------------|----------------|
| DOUBLE POLE-LOCKING | GOLD | BLUE | 24V | AV2221E724R04 | 8-2213772-0 |
| | SILVER | BLUE | 24V | AV2221E724Q04 | 7-2213772-9 |
| | GOLD | BLUE | 12V | AV2221E712R04 | 7-2213772-8 |
| | SILVER | BLUE | 12V | AV2221E712Q04 | 7-2213772-7 |
| | GOLD | GREEN | 24V | AV2221E624R04 | 7-2213772-6 |
| | SILVER | GREEN | 24V | AV2221E624Q04 | 7-2213772-5 |
| | GOLD | GREEN | 12V | AV2221E612R04 | 7-2213772-4 |
| | SILVER | GREEN | 12V | AV2221E612Q04 | 7-2213772-3 |
| | GOLD | YELLOW | 24V | AV2221E524R04 | 7-2213772-2 |
| | SILVER | YELLOW | 24V | AV2221E524Q04 | 7-2213772-1 |
| | GOLD | YELLOW | 12V | AV2221E512R04 | 7-2213772-0 |
| | SILVER | YELLOW | 12V | AV2221E512Q04 | 6-2213772-9 |
| | GOLD | RED | 24V | AV2221E324R04 | 6-2213772-8 |
| | SILVER | RED | 24V | AV2221E324Q04 | 6-2213772-7 |
| | GOLD | RED | 12V | AV2221E312R04 | 6-2213772-6 |
| | SILVER | RED | 12V | AV2221E312Q04 | 6-2213772-5 |
| | GOLD | WHITE | 24V | AV2221E124R04 | 6-2213772-4 |
| | SILVER | WHITE | 24V | AV2221E124Q04 | 6-2213772-3 |
| GOLD | WHITE | 12V | AV2221E112R04 | 6-2213772-2 | |
| SILVER | WHITE | 12V | AV2221E112Q04 | 6-2213772-1 | |
| DOUBLE POLE-MOMENTARY | GOLD | BLUE | 24V | AV2220E724R04 | 6-2213772-0 |
| | SILVER | BLUE | 24V | AV2220E724Q04 | 5-2213772-9 |
| | GOLD | BLUE | 12V | AV2220E712R04 | 5-2213772-8 |
| | SILVER | BLUE | 12V | AV2220E712Q04 | 5-2213772-7 |
| | GOLD | GREEN | 24V | AV2220E624R04 | 5-2213772-6 |
| | SILVER | GREEN | 24V | AV2220E624Q04 | 5-2213772-5 |
| | GOLD | GREEN | 12V | AV2220E612R04 | 5-2213772-4 |
| | SILVER | GREEN | 12V | AV2220E612Q04 | 5-2213772-3 |
| | GOLD | YELLOW | 24V | AV2220E524R04 | 5-2213772-2 |
| | SILVER | YELLOW | 24V | AV2220E524Q04 | 5-2213772-1 |
| | GOLD | YELLOW | 12V | AV2220E512R04 | 5-2213772-0 |
| | SILVER | YELLOW | 12V | AV2220E512Q04 | 4-2213772-9 |
| | GOLD | RED | 24V | AV2220E324R04 | 4-2213772-8 |
| | SILVER | RED | 24V | AV2220E324Q04 | 4-2213772-7 |
| | GOLD | RED | 12V | AV2220E312R04 | 4-2213772-6 |
| | SILVER | RED | 12V | AV2220E312Q04 | 4-2213772-5 |
| | GOLD | WHITE | 24V | AV2220E124R04 | 4-2213772-4 |
| | SILVER | WHITE | 24V | AV2220E124Q04 | 4-2213772-3 |
| GOLD | WHITE | 12V | AV2220E112R04 | 4-2213772-2 | |
| SILVER | WHITE | 12V | AV2220E112Q04 | 4-2213772-1 | |

| | | | | | |
|---|--|-----------------------------------|---|--------------------|----------------------------|
| THIS DRAWING IS A CONTROLLED DOCUMENT. | | DWN NAGALAKSHMI K 09FEB2016 |  TE Connectivity | | |
| DIMENSIONS: mm [INCHES] | | CHK HILL RYAN 09FEB2016 | | | |
| TOLERANCES UNLESS OTHERWISE SPECIFIED: | | APVD HILL RYAN 09FEB2016 | NAME ANTI-VANDAL SWITCH 22mm MOVING RING LED | | |
| 0 PLC ± - 1 PLC ± - 2 PLC ± - 3 PLC ± - 4 PLC ± - ANGLES ± - | | PRODUCT SPEC APPLICATION SPEC | SIZE A2 | CAGE CODE 00779 | DRAWING NO C-2213772 |
| MATERIAL | | WEIGHT - | SCALE 1:1 | SHEET 4 of 4 | RESTRICTED TO REV B1 |
| CUSTOMER DRAWING | | | | | |

X-ON Electronics

Largest Supplier of Electrical and Electronic Components

Click to view similar products for [Pushbutton Switches](#) category:

Click to view products by [TE Connectivity](#) manufacturer:

Other Similar products are found below :

[8940K2012](#) [LW1L-M1C10V-A](#) [LW1L-M1C70-A](#) [LW2L-A1C20M-GD](#) [LW2L-M1C20M-A](#) [60324L](#) [M22-D-R-GB0/K11](#) [M7E-HRN2](#)
[67021K512](#) [67081K512X](#) [701PB580](#) [7199K101](#) [810K12910](#) [810KSV30B](#) [MML21EA2ADK](#) [MML21KA3ABK](#) [MML23KA3AC05K-001](#)
[MML23KW3AA01W](#) [8418K2](#) [8442K3](#) [8450K1](#) [860K11911T01A](#) [861901](#) [861K11911T01A07](#) [861K13810T00A14](#) [861K13911](#)
[8646AB6X718UL](#) [8646ABUL](#) [9001KXRK](#) [907AYY100](#) [PMHD155A1](#) [9533CD4+U574+U4922](#) [95-414.000](#) [99-450.837](#) [99-453.837](#)
[PV3H2B0NN-341](#) [1203MRA](#) [A22NZBGANGA](#) [A22NZBNANGA](#) [A22NZMPATRA](#) [A2PMA1X03EC56](#) [A3A-5123-02](#) [A3A-7140](#) [A3A-7310](#) [A3A-7340](#) [A3U-TMW-A2C-5M](#) [A595](#) [12037A2ULCSA](#) [ABD122N-B](#) [1211390004](#)