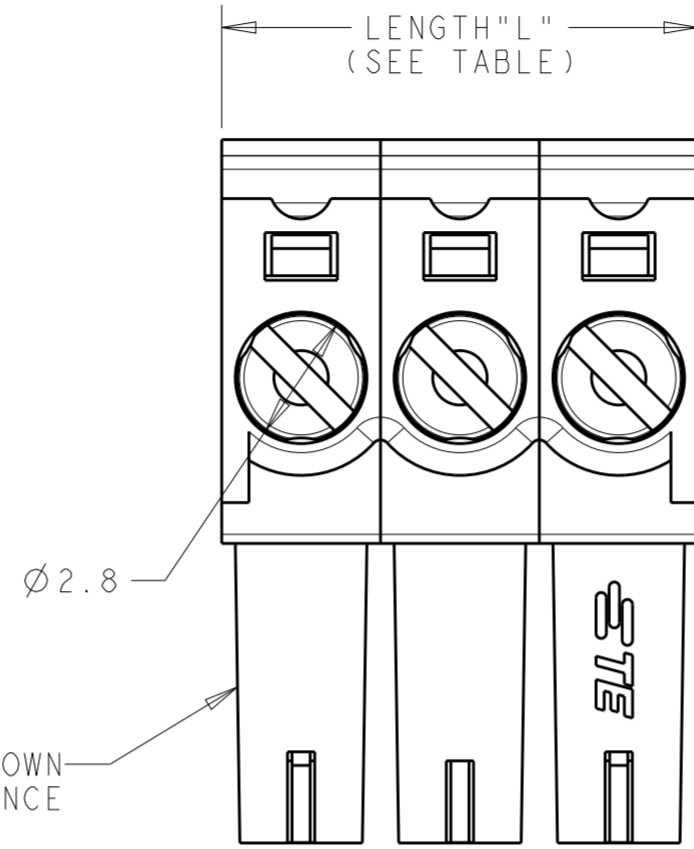
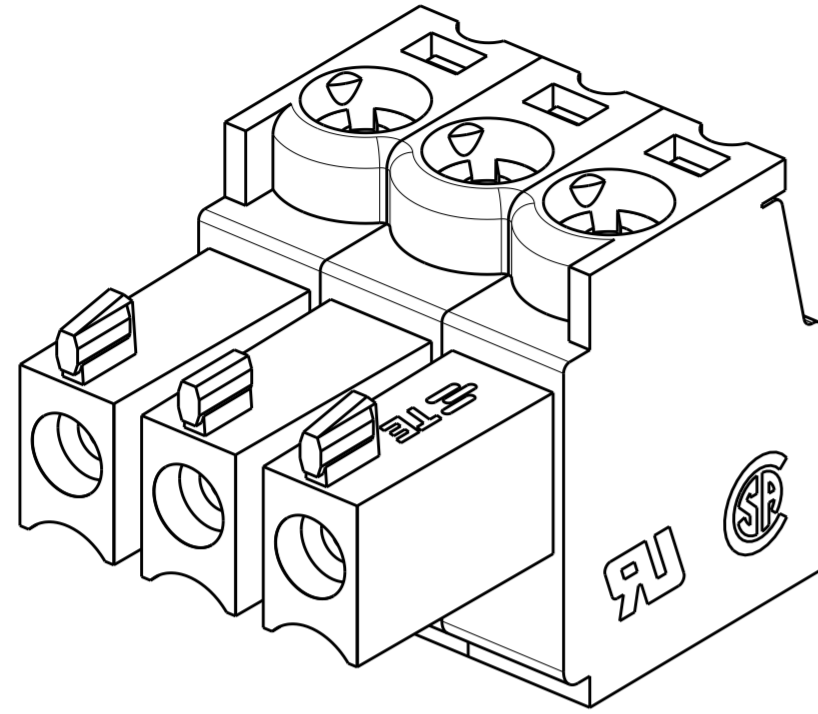
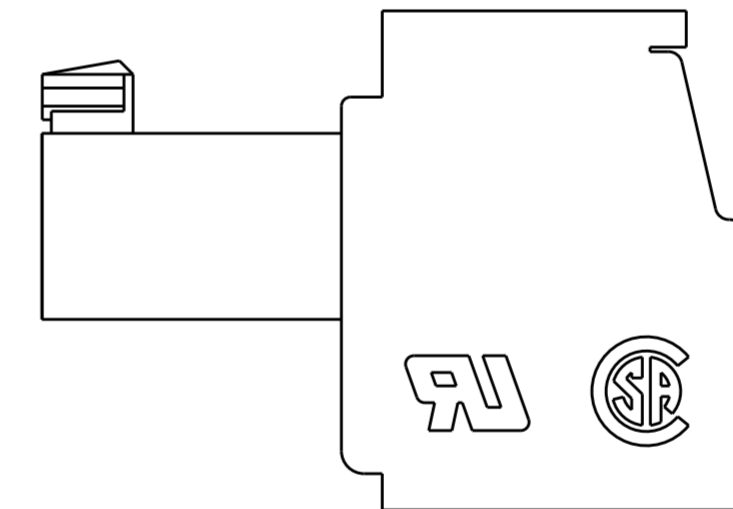
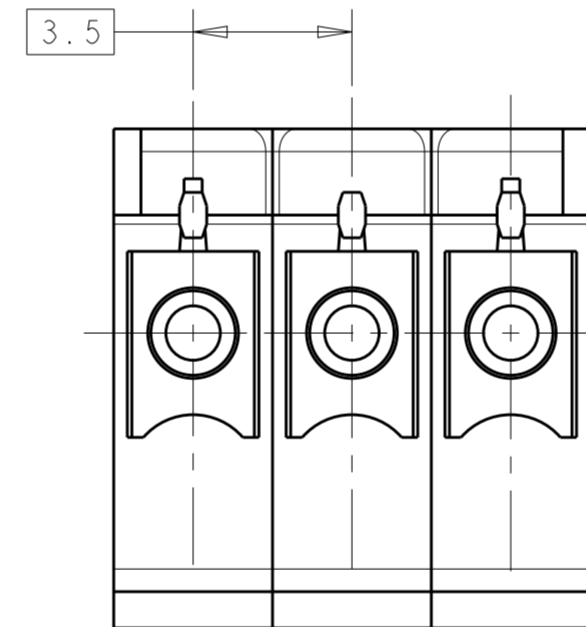
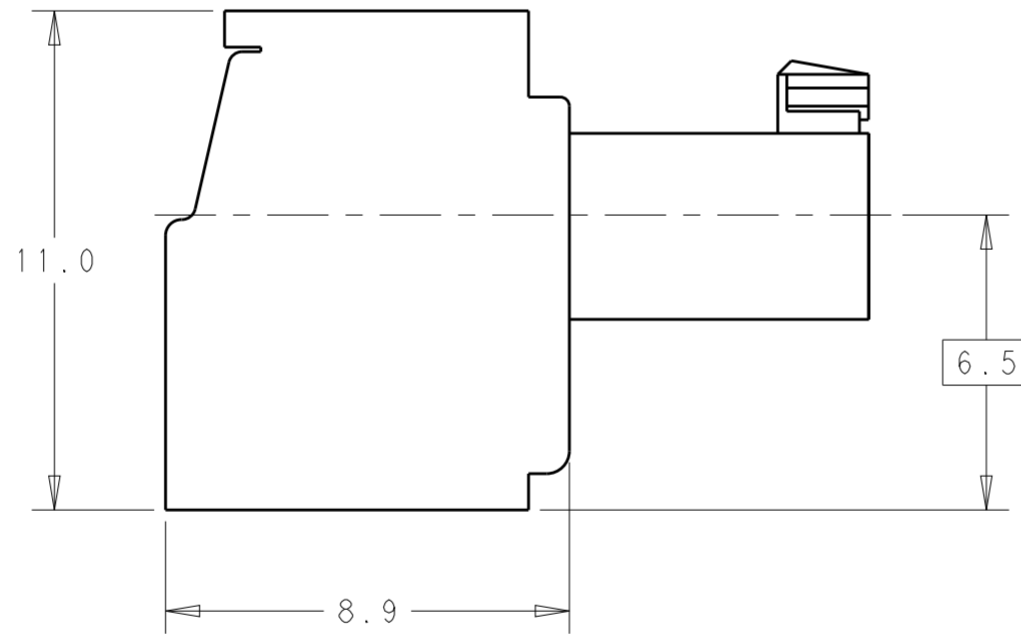
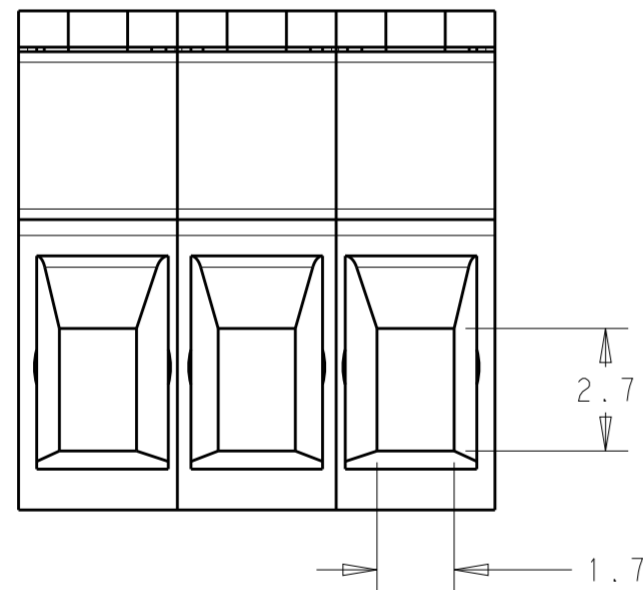


THIS DRAWING IS UNPUBLISHED. RELEASED FOR PUBLICATION  
 © COPYRIGHT copyright.d8Te- ALL RIGHTS RESERVED.

REVISIONS					
P	LTR	DESCRIPTION	DATE	DWN	APVD
	A	NEW DRAWING	10SEP2016	RS	ML
	A1	REVISED PER ECR-16-016988	03JAN2017	RK	PO



- HOUSING MATERIAL: THERMOPLASTIC, FLAME-RETARDANT PER UL 94 V-0  
COLOR = BLACK
- CONTACT MATERIAL: COPPER ALLOY WITH STEEL WIRE CLAMP
- WIRE SIZE: 30-16 AWG (STRIP LENGTH = 6mm)
- SCREW TIGHTENING TORQUE: 0.2 N-m
- PRODUCT CERTIFICATIONS:  
UL: 8A/300V (APPLICATION GROUPS B & D)  
CSA: 8A/300V (APPLICATION GROUP B)
- HAZARDOUS SUBSTANCE COMPLIANCE: RoHS, REACH
- MATES WITH 2213933 SERIES

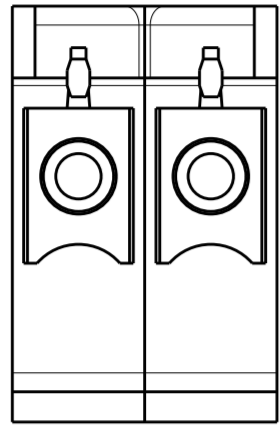


42.0	12	1-2213936-2
38.5	11	1-2213936-1
35.0	10	1-2213936-0
31.5	9	2213936-9
28.0	8	2213936-8
24.5	7	2213936-7
21.0	6	2213936-6
17.5	5	2213936-5
14.0	4	2213936-4
10.5	3	2213936-3
7.0	2	2213936-2
LENGTH "L" (mm)	NO. OF POLES	TE PART NO.

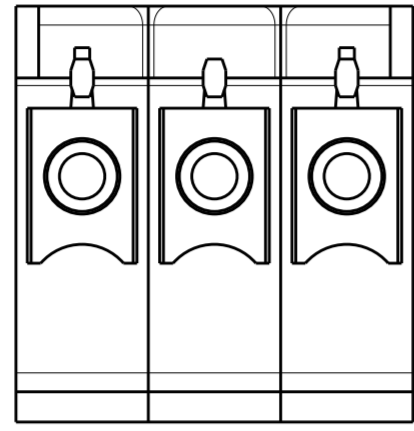
THIS DRAWING IS A CONTROLLED DOCUMENT.		DWN RAVLS 10SEP2016	TE Connectivity SOCKET TERMINAL BLOCK, 3.5MM PITCH	
DIMENSIONS: mm		CHK M.LUKSIC 10SEP2016		
TOLERANCES UNLESS OTHERWISE SPECIFIED:		APVD M.LUKSIC 10SEP2016	NAME	
0 PLC ± 1 PLC ±0.2 2 PLC ±0.13 3 PLC ± 4 PLC ± ANGLES ± FINISH -		PRODUCT SPEC -	RESTRICTED TO	
MATERIAL SEE NOTES		APPLICATION SPEC -	SIZE A2	CAGE CODE -
		WEIGHT -	DRAWING NO C-2213936	SCALE 5:1
		CUSTOMER DRAWING	SHEET 1	REV A1

THIS DRAWING IS UNPUBLISHED. RELEASED FOR PUBLICATION  
 © COPYRIGHT copyright.d8Te- ALL RIGHTS RESERVED.

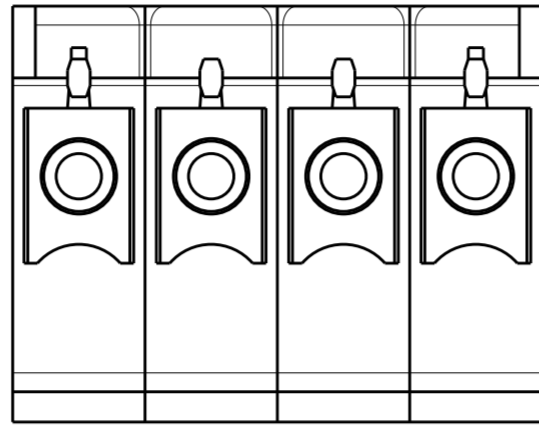
REVISIONS				
P	LTR	DESCRIPTION	DATE	APVD
-		SEE SHEET 1	-	-



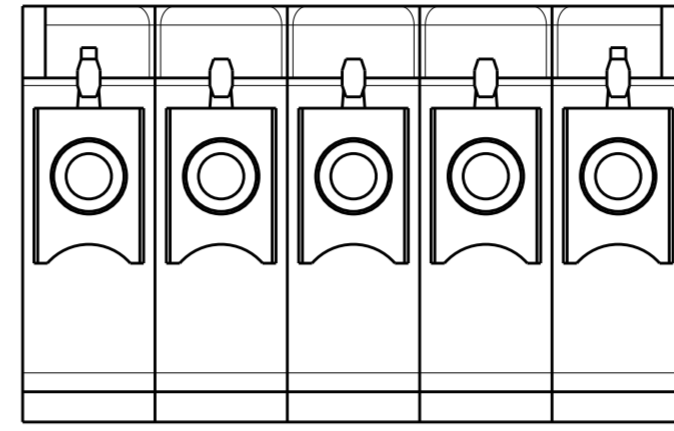
2 POLES: 2213936-2



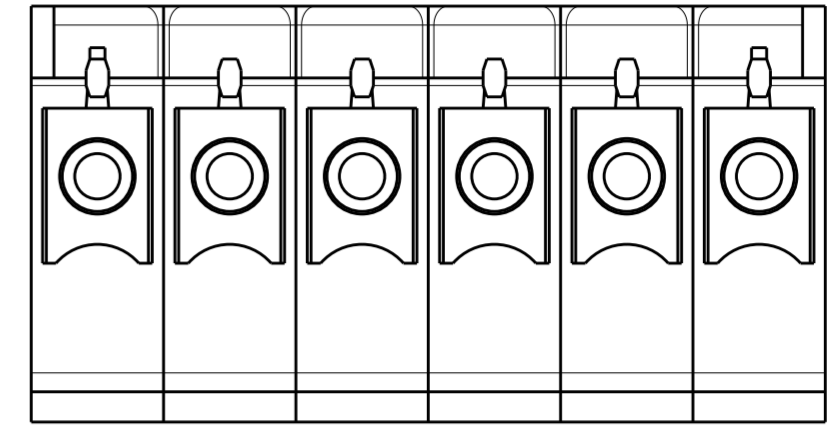
3 POLES: 2213936-3



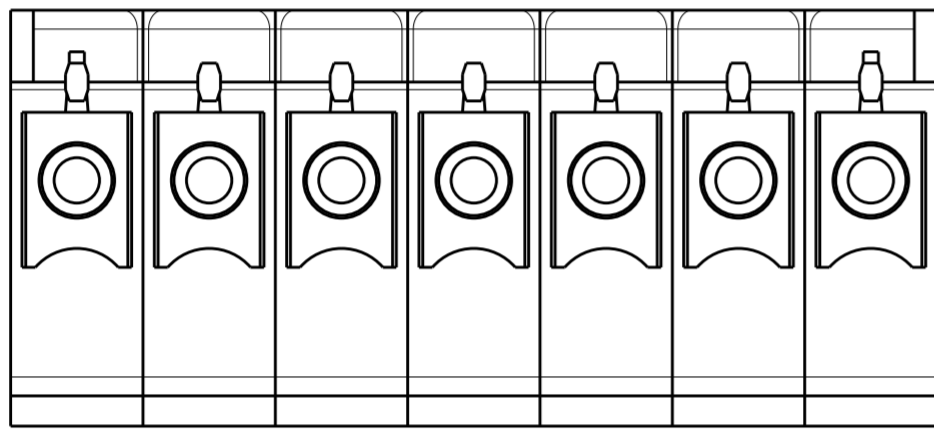
4 POLES: 2213936-4



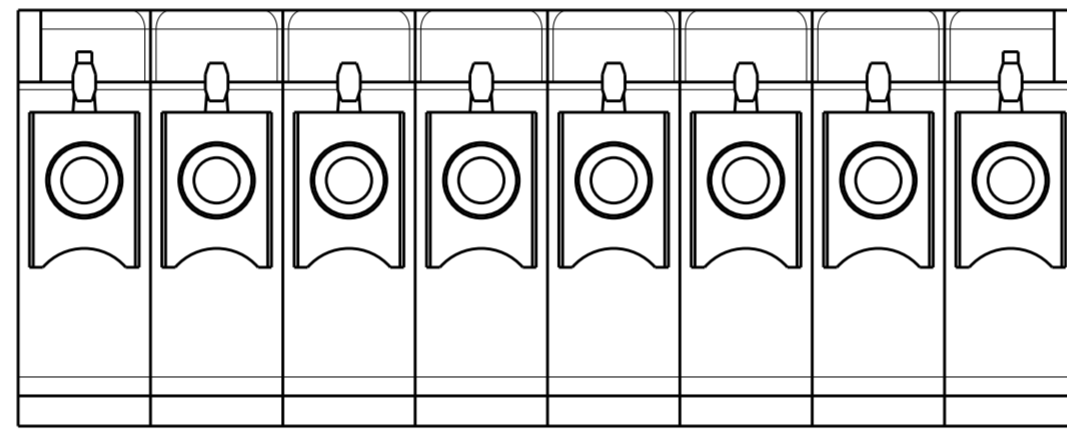
5 POLES: 2213936-5



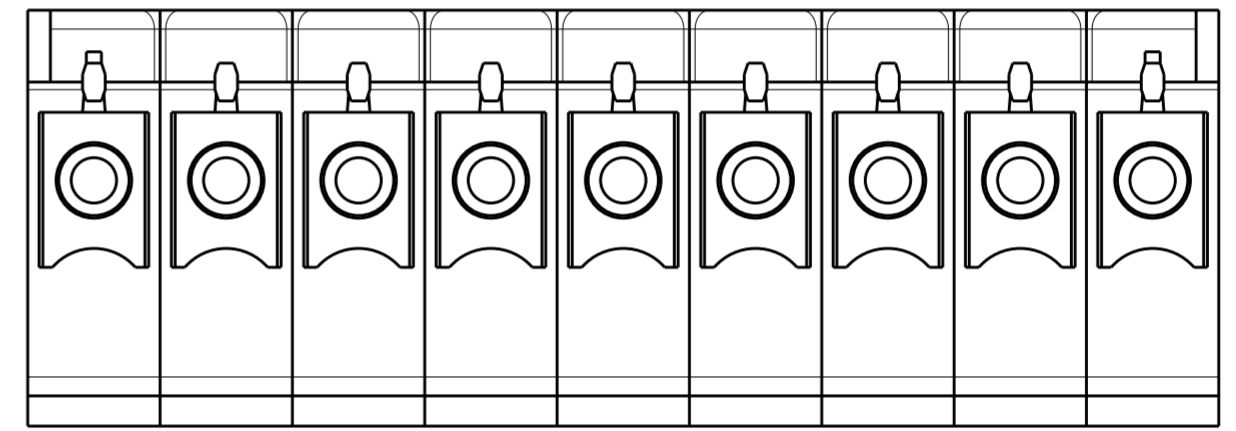
6 POLES: 2213936-6



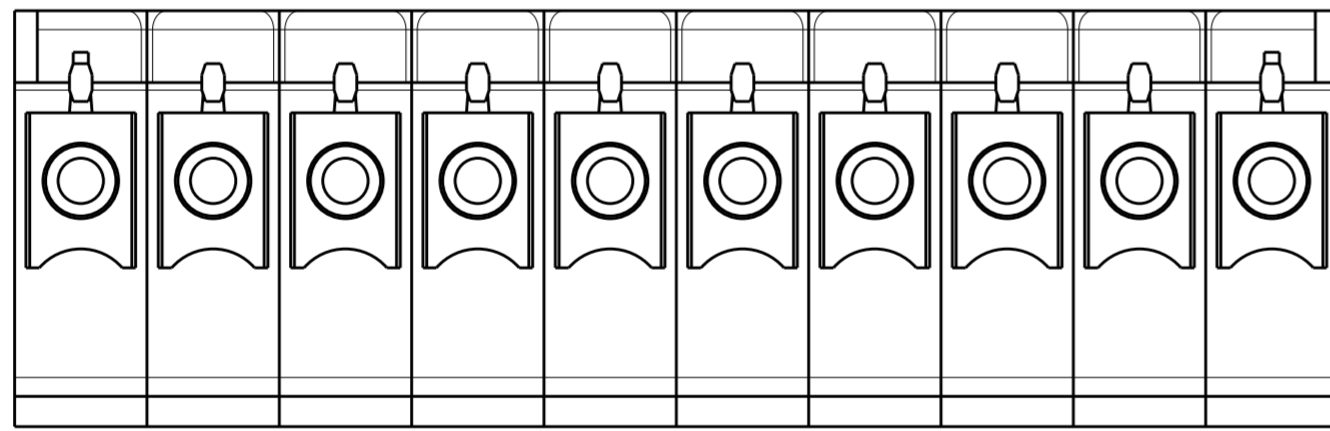
7 POLES: 2213936-7



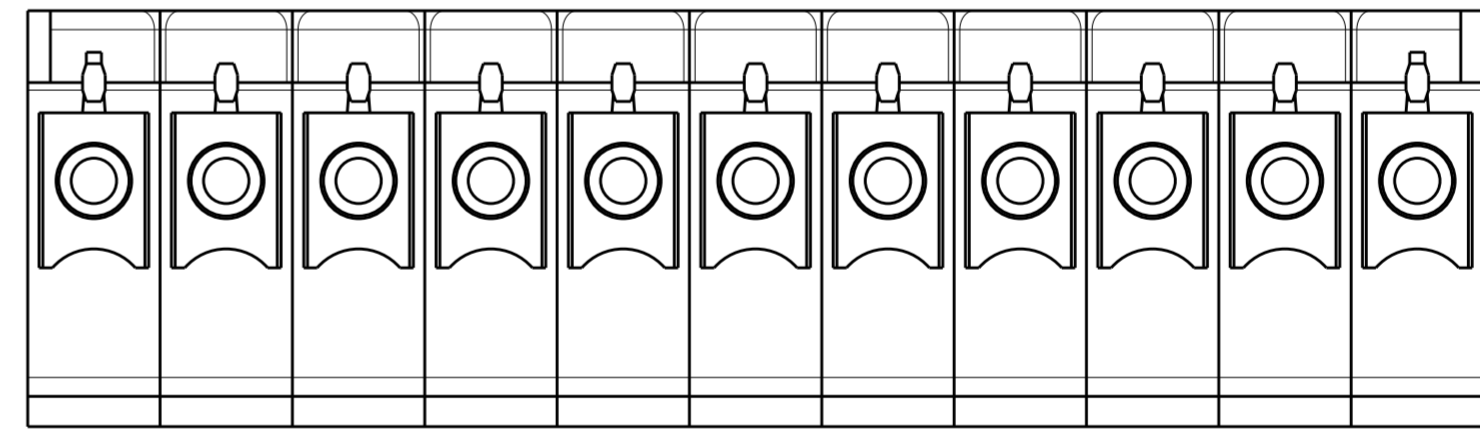
8 POLES: 2213936-8



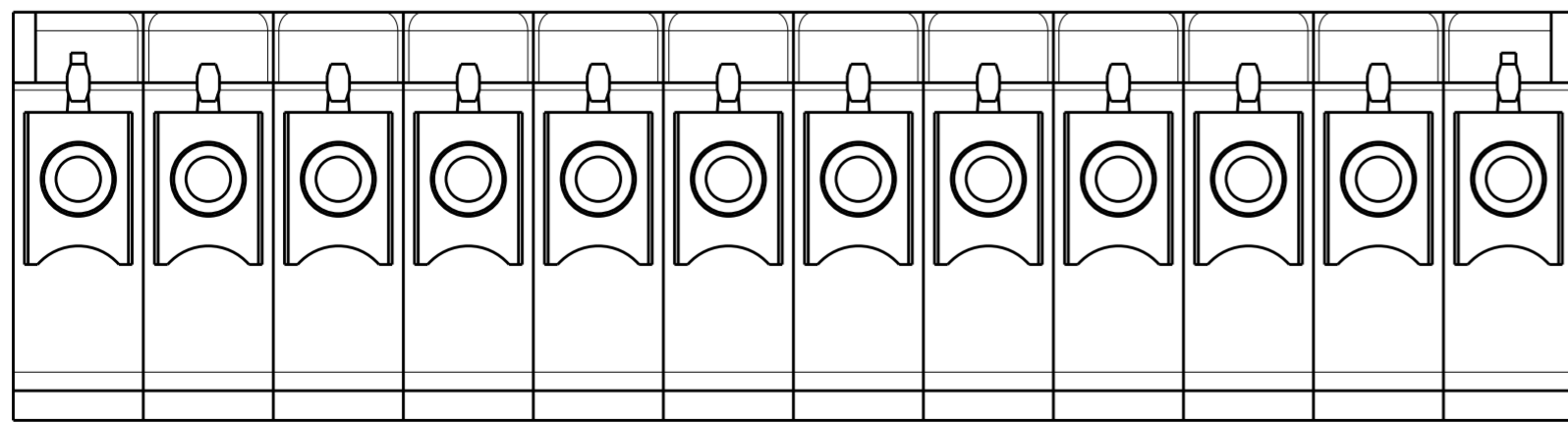
9 POLES: 2213936-9




10 POLES: 1-2213936-0



11 POLES: 1-2213936-1



12 POLES: 1-2213936-2

THIS DRAWING IS A CONTROLLED DOCUMENT.		DWN RAVLS 10SEP2016	 TE Connectivity	NAME SOCKET TERMINAL BLOCK, 3.5MM PITCH		
DIMENSIONS: mm		CHK M.LUKSIC 10SEP2016		SIZE A2	CAGE CODE -	DRAWING NO. C-2213936
TOLERANCES UNLESS OTHERWISE SPECIFIED: 0 PLC ± 1 PLC ±0.2 2 PLC ±0.13 3 PLC ± 4 PLC ± ANGLES ± FINISH -		APVD M.LUKSIC 10SEP2016		RESTRICTED TO -	SCALE 5:1	SHEET 2 OF 2
MATERIAL -		PRODUCT SPEC -		CUSTOMER DRAWING	REV A1	

## X-ON Electronics

Largest Supplier of Electrical and Electronic Components

*Click to view similar products for [Pluggable Terminal Blocks](#) category:*

*Click to view products by [TE Connectivity](#) manufacturer:*

Other Similar products are found below :

[57.510.0053](#) [MC 1.5/ 6-ST-3.5 GY AU](#) [734-104](#) [734-302](#) [8-141-P](#) [8426620000](#) [860505](#) [860516](#) [860810](#) [GBPACX-12](#) [93.731.4953.0](#) [PV05-5,08-K](#) [PVP02-5,00](#) [PVP03-3,50](#) [PVP04-3,50](#) [PVS02-5,00](#) [1-1986160-3](#) [1377680000](#) [1531000000](#) [1546228-5](#) [ELFH16150](#) [ELFP03110](#) [ELFP10210](#) [ELFT06250](#) [ELVP03100](#) [1700101](#) [1700410](#) [1700425](#) [1702246](#) [1705229](#) [1710175](#) [1714537](#) [1717806](#) [1719600](#) [1728941](#) [1734692](#) [1734795](#) [1736036](#) [1740194](#) [1740291](#) [1740628](#) [1740990](#) [1746952](#) [1750207](#) [1752441](#) [1752865](#) [1754115](#) [1754144](#) [1756913](#) [1760051](#)